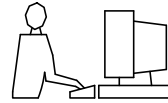


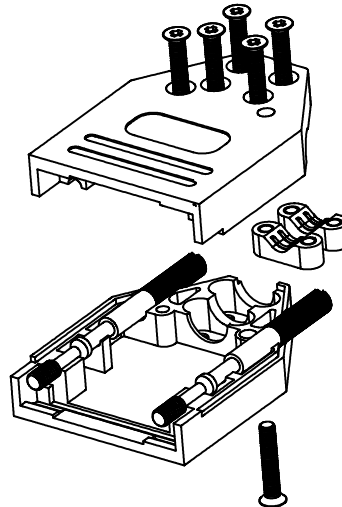
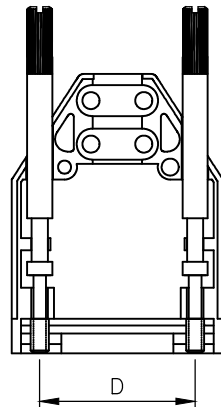
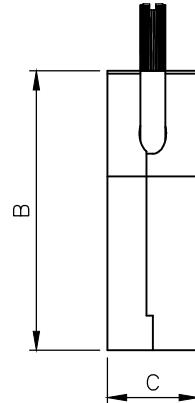
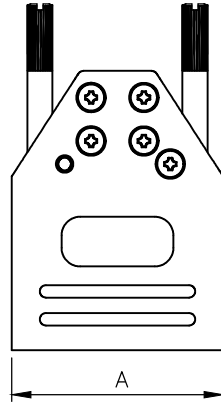
THIS IS A C.A.D. GENERATED DRAWING
DO NOT MAKE MANUAL REVISIONS TO MASTER.



* UNLESS OTHERWISE SPECIFIED TOLERANCES
ON DECIMAL IS: ANGLE $\pm 1^\circ$
UNIT: MM .XX ± 0.35

BACKSHELL KIT INCLUDES:

- (2)BACKSHELL HALVES
- (2)4-40 THUMBSCREWS
- (6)CLAMP SCREWS
- (2)CLAMPS



DIMENSIONS(mm/in)				
SIZE	A ± 0.50 ± 0.02	B ± 0.50 ± 0.02	C ± 0.50 ± 0.02	D ± 0.25 ± 0.01
9	34.0	45.0	14.6	24.99
	1.34	1.77	0.57	0.984
15	43.0	45.0	14.6	33.32
	1.69	1.77	0.57	1.312
25	56.5	45.0	14.6	47.04
	2.22	1.77	0.57	1.852
37	73.0	45.0	14.6	63.50
	2.87	1.77	0.57	2.500
50	71.0	45.0	17.4	61.00
	2.80	1.77	0.69	2.402

ORDERING INFORMATION:

SIZE	P/N - KITTED	PRODUCT CODE
9-WAY	6560-0305-01	MHDTZI09-K
15-WAY	6560-0305-02	MHDTZI15-K
25-WAY	6560-0305-03	MHDTZI25-K
37-WAY	6560-0305-04	MHDTZI37-K
50-WAY	6560-0305-05	MHDTZI50-K

SIZE	P/N - BULK	PRODUCT CODE
9-WAY	6561-0305-01	MHDTZI09
15-WAY	6561-0305-02	MHDTZI15
25-WAY	6561-0305-03	MHDTZI25
37-WAY	6561-0305-04	MHDTZI37
50-WAY	6561-0305-05	MHDTZI50

BACKSHELL MATERIAL:
PLATING:
JACKSCREWS:
CLAMP SCREWS:
CLAMPS:
OPERATING TEMP:

DIE-CAST ZINC ALLOY
NICKEL
STEEL:NICKEL PLATED
STEEL:ZN PLATED
STEEL:ZN PLATED
-40°C TO+120°C

THESE DRAWINGS AND SPECIFICATIONS ARE THE PROPERTY OF MH CONNECTORS LTD. AND SHALL NOT BE REPRODUCED, COPIED OR USED AS THE BASIS FOR THE MANUFACTURE OR SALE OF APPARATUS WITHOUT WRITTEN PERMISSION.

DRAWN
JOHNNY
DATE
01-03-14

APPROVED
DAMIEN
DATE
07-02-14

SCALE
1:1
SHEET OF
1 OF 1
REV:
4.0

DRAWING No
MHDTZI-SERIES



THIS SERIES FULLY CONFORMS TO THE EUROPEAN UNION DIRECTIVES 2002/95/EC AND 2002/96/EC FOR RoHS COMPLIANCY.



MH CONNECTORS LTD.