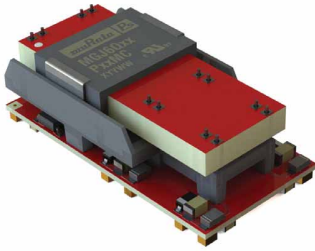


MGJ6 Three Phase Bridge Series

5.7kVDC 6W Quad Output Isolated Gate Drive SM DC-DC Converters



FEATURES

- No opto feedback
- Patent protected
- Four isolated output voltages suitable for powering IGBT/SiC & Mosfet gate drives simultaneously in a three phase bridge configuration
- Reinforced insulation to UL60950 with 8mm creepage & clearance recognised
- ANSI/AAMI ES60601-1, 2 MOPP recognised
- Characterised CMTI >100kV/μS
- Characterised partial discharge performance
- 5.7kVDC isolation test voltage 'Hi Pot Test'
- Ultra low isolation capacitance typically 15pF
- Continuous barrier withstand voltage 3kVDC
- 5V, 12V & 24V input voltages
- 105°C operating temperature

PRODUCT OVERVIEW

Offering four isolated output voltages of 24V, the MGJ6-3P series of DC-DC converters is ideal for powering 'high side' and 'low side' gate drive circuits simultaneously for IGBTs, Silicon and Silicon Carbide Mosfets in three phase circuits. The MGJ6-3P series is characterised for high isolation and dv/dt requirements commonly seen in bridge circuits used in motor drives and inverters.

SELECTION GUIDE

Order Code ¹	Input Voltage Range	Output 1 VHA / Output 2 VHB Output 3 VHC			Output 4 VL		
		Rated Output Voltage	Rated Output Current	Output Power	Rated Output Voltage	Rated Output Current	Output Power
		V	mA	W	V	mA	W
MGJ6Q05P24MC	4.5 - 9	24	42	1	24	125	3
MGJ6Q12P24MC	9 - 18	24	42	1	24	125	3
MGJ6Q24P24MC	18 - 36	24	42	1	24	125	3

SELECTION GUIDE (Continued)

Order Code ¹	Input Voltage Range	Output 1 VHA / Output 2 VHB Output 3 VHC				Output 4 VL			
		Load Regulation (Typ) ⁴	Load Regulation (Max) ⁴	Ripple & Noise (Typ) ²	Ripple & Noise (Max) ²	Load Regulation (Typ)	Load Regulation (Max)	Ripple & Noise (Typ) ²	Ripple & Noise (Max) ²
		%	%	mVp-p	mVp-p	%	%	mVp-p	mVp-p
MGJ6Q05P24MC	4.5 - 9	2	3	100	150	2	3	100	150
MGJ6Q12P24MC	9 - 18	2	3	70	120	2	3	70	120
MGJ6Q24P24MC	18 - 36	2	3	70	120	2	3	70	120

SELECTION GUIDE (Continued)

Order Code ¹	Nominal Input Voltage	Input Current at Rated Load	Efficiency (Min)	Efficiency (Typ)	MTTF ³	
					MIL 217	Telecordia
					kHrs	
MGJ6Q05P24MC	5	1500	76	79.5	671	1842
MGJ6Q12P24MC	12	600	81	84	781	1646
MGJ6Q24P24MC	24	300	82	85	787	1725



For full details go to <https://www.murata.com/en-global/products/power/rohs>



1. Components are supplied in tape and reel packaging, please refer to tape and reel specification section. Orderable part numbers are MGJ6QXXP24MC-R7 (23 pieces per reel), or MGJ6QXXP24MC-R13 (92 pieces per reel).
 2. See ripple & noise test method.
 3. Calculated using MIL-HDBK-217 FN2 and Telecordia SR-332 calculation model at TA=25°C with nominal input voltage at full load.
 4. Between 50% and 100% rated output current.
 All specifications typical at TA=25°C, nominal input voltage and rated output current unless otherwise specified.

INPUT CHARACTERISTICS					
Parameter	Conditions	Min.	Typ.	Max.	Units
Voltage range	5V input types	4.5	5	9	V
	12V input types	9	12	18	
	24V input types	18	24	36	
Under voltage lock out	Turn on threshold MGJ6Q05		3.8		V
	Turn off threshold MGJ6Q05		3.2		
	Turn on threshold MGJ6Q12		8.1		
	Turn off threshold MGJ6Q12		7.5		
	Turn on threshold MGJ6Q24		16.7		
	Turn off threshold MGJ6Q24		16.3		
Input ripple current	5V input types		30		mA p-p
	12V input types		45		
	24V input types		25		

OUTPUT CHARACTERISTICS					
Parameter	Conditions	Min.	Typ.	Max.	Units
Minimum load	Below 10% load, output may rise to 30V maximum voltage	10			%
Voltage set point accuracy	5V output types		+4 / -1		%
	All other output types		+3 / -2		
Total regulation				10	%
Line regulation	Low line to high line		0.5	1	%

GENERAL CHARACTERISTICS					
Parameter	Conditions	Min.	Typ.	Max.	Units
Power Consumption	Disable pin pulled low		45		mW
Switching frequency			100		kHz

ISOLATION CHARACTERISTICS					
Parameter	Conditions	Min.	Typ.	Max.	Units
Isolation test voltage	Flash tested for 1 second (input to output)	4000			VAC
	Flash tested for 1 second (output to output)	2500			
	Qualification tested for 1 minute (input to output)	5700			VDC
	Qualification tested for 1 minute (output to output)	3000			
Resistance	Viso = 1kVDC	100			GΩ
Continuous barrier withstand voltage	Non-safety barrier application			3000	VDC
Safety standard	UL60950-1	Reinforced		250	Vrms
	ANSI/AAMI ES60601-1	2 MOPP		250	
Creepage & clearance	Input to output			8	mm
	Output to output			8	
Isolation capacitance	Primary to Output 1 VHA		15		pF
	Primary to Output 2 VHB		15		
	Primary to Output 3 VHC		15		
	Primary to Output 4 VL		15		

TEMPERATURE CHARACTERISTICS					
Parameter	Conditions	Min.	Typ.	Max.	Units
Operation	See derating graphs	-40		105	°C
Storage		-55		125	
Product temperature rise above ambient	100% Load, Nom V _{IN} , Still Air	5V input types	25		
		All other input types	19		

ABSOLUTE MAXIMUM RATINGS	
Short-circuit protection	Continuous
Input voltage, MGJ6-3P 5V input types	12V
Input voltage, MGJ6-3P 12V input types	20V
Input voltage, MGJ6-3P 24V input types	40V

TECHNICAL NOTES

ISOLATION VOLTAGE

'Hi Pot Test', 'Flash Tested', 'Withstand Voltage', 'Proof Voltage', 'Dielectric Withstand Voltage' & 'Isolation Test Voltage' are all terms that relate to the same thing, a test voltage, applied for a specified time, across a component designed to provide electrical isolation, to verify the integrity of that isolation.

Murata Power Solutions MGJ6-3P series of DC-DC converters are all 100% production tested at 4kVACrms for 1 second from input to output and 2.5kVACrms for 1 second from output to output. Also they are all qualification tested at 5.7kVDC for 1 minute from input to output and 3kVDC for 1 minute from output to output.

The MGJ6-3P series is recognised by Underwriters Laboratory, please see safety approval section for more information. When the insulation in the MGJ6-3P series is not used as a safety barrier, i.e. provides functional isolation only, continuous or switched voltages across the barrier up to 3kV are sustainable. This is established by measuring the partial discharge Inception voltage in accordance with IEC 60270. Please contact Murata for further information.

REPEATED HIGH-VOLTAGE ISOLATION TESTING

It is well known that repeated high-voltage isolation testing of a barrier component can actually degrade isolation capability, to a lesser or greater degree depending on materials, construction and environment. We therefore strongly advise against repeated high voltage isolation testing, but if it is absolutely required, that the voltage be reduced by 20% from specified test voltage.

SAFETY APPROVAL

ANSI/AAMI ES60601-1

The MGJ6-3P series is recognised by Underwriters Laboratory (UL) to ANSI/AAMI ES60601-1 and provides 2 MOPP (Means Of Patient Protection) based on a working voltage of 250vrms.

UL60950

The MGJ6-3P series is recognised by Underwriters Laboratory (UL) to UL60950 for reinforced insulation to a working voltage of 250Vrms with a maximum measured product operating temperature of 130°C.

Creepage and clearance 8mm, input to output & across outputs.

Working altitude 5000m

Over voltage category (OVC) II

FUSING

The MGJ6-3P Series of converters are not internally fused so to meet the requirements of UL an anti-surge input line fuse should always be used with ratings as defined below.

Input Voltage, 5V 4A

Input Voltage, 12V 2A

Input Voltage, 24V 1A

All fuses should be UL recognised, 250Vac rated.

RoHS COMPLIANCE, MSL, PSL AND REFLOW SOLDERING INFORMATION



This series is compatible with Pb-Free soldering systems and is also backward compatible with Sn/Pb soldering systems.

The MGJ6 three phase series has a process, moisture, and reflow sensitivity classification of MSL2 PSL R7F as defined in J-STD-020 and J-STD-075. Please refer to [application notes](#) for further information. This translates to: MSL2 = 1 year floor life, PSL R7F = Peak reflow temperature 245°C with a limitation on the time above liquidus (217°C) which for this series is 90sec max. The pin termination finish on this product series is Gold with Nickel Pre-plate.



Murata Power Solutions

MGJ6 Three Phase Bridge Series

5.7kVDC 6W Quad Output Isolated Gate Drive SM DC-DC Converters

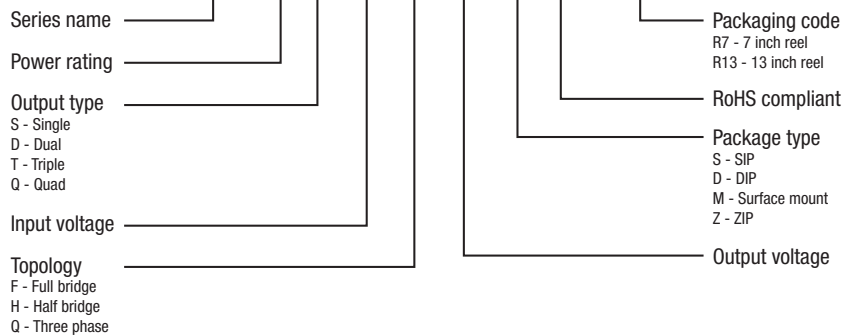
ENVIRONMENTAL VALIDATION TESTING

The following tests have been conducted on this product series, please contact Murata if further information about the tests is required.

Test	Standard	Condition
Temperature cycling	MIL-STD-883 Method 1010, Condition B	10 cycles between two chambers set to achieve -55°C and +125°C. The dwell time shall not be less than 10min and the load shall reach the specified temperature in 15min.
Humidity bias	JEDEC JESD22-A101	85±2°C, 85±5% R.H. for 1000 (+168/-24) hours.
High Temperature Storage life	JEDEC JESD22-A103, Condition A	125°C +10/-0°C for ≥1000 hours.
Vibration	BS EN 61373 with respect to BS EN 60068-2-64, Test Fh Category 1 Class B	5 – 150Hz. Level at each axis – Vertical, Traverse and Longitudinal: 5.72m/s ² rms. 5 hours in each axis. Crest factor: 3 Sigma. Device is secured via surface mount pins.
Solderability	EIA/IPC/JEDEC J-STD-002, Test S and S1	The parts are conditioned in a steam ager for 8 hours ±15 min. at a temperature of 93±3°C. SnPb (Test S): The parts are placed onto a stencil with Sn60Pb40 solder paste on and then placed into the reflow oven at 215 ±5°C for 50–70 seconds. Pb-free (Test S1): The parts are placed onto a stencil with Sn96.5Ag3.0Cu0.5 solder paste on and then placed into the reflow oven at 245 ±5°C for 30–60 seconds.
Solvent cleaning	Resistance to cleaning agents.	Solvent – Novec 71IPA & Topklean EL-20A. Pulsed ultrasonic immersion 45°C - 65°C
Solvent Resistance	MIL-STD-883 Method 2015	The parts and the bristle portion of the brush are immersed in Isopropanol for a minimum of 1 minute. The parts are brushed 3 times, after the third time the parts are blown dry and inspected.
Moisture sensitivity level (MSL 2)	Based on IPC/JEDEC J-STD-020	Bake samples at 125 +5/-0°C for 24hours minimum before conditioning in the temperature/humidity chamber for 168 hours at 85°C/60%RH and Pb Free JEDEC Max profile conditioning with electrical testing, co-planarity inspection before and after.

PART NUMBER STRUCTURE

MGJ 6 Q XX P XX M C -RXX



CHARACTERISATION TEST METHODS

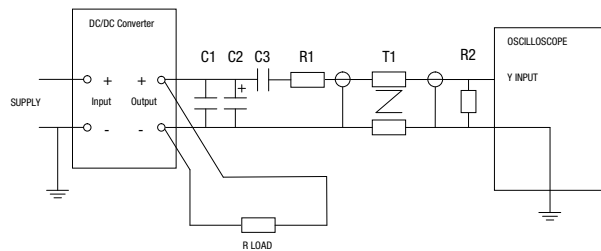
Ripple & Noise Characterisation Method

Ripple and noise measurements are performed with the following test configuration.

C1	1 μ F X7R multilayer ceramic capacitor, voltage rating to be a minimum of 3 times the output voltage of the DC-DC converter
C2	10 μ F tantalum capacitor, voltage rating to be a minimum of 1.5 times the output voltage of the DC-DC converter with an ESR of less than 100m Ω at 100 kHz
C3	100nF multilayer ceramic capacitor, general purpose
R1	450 Ω resistor, carbon film, \pm 1% tolerance
R2	50 Ω BNC termination
T1	3T of the coax cable through a ferrite toroid
RLOAD	Resistive load to the maximum power rating of the DC-DC converter. Connections should be made via twisted wires

Measured values are multiplied by 10 to obtain the specified values.

Differential Mode Noise Test Schematic



APPLICATION NOTES

Disable/Frequency synchronisation

Please refer to application notes for further information.

		Min	Typ	Max	Units
Disable/Sync ¹	Pull Down Current		0.5		mA
	Input High	2		60	V
	Input Low	-0.6		0.8	V
Synchronisation	Frequency Range	90	100	110	kHz
	Duty Cycle	25		75	%

The $\overline{\text{Dis}}/\text{Sync}$ pin has three modes:

1. When a DC logic low voltage is applied to this pin the MGJ6-3P is disabled and enters a low quiescent current sleep mode.
2. When this pin is left floating or a DC logic high (CMOS/TTL compatible) voltage is applied the MGJ6-3P is enabled and operates at the programmed frequency of 100kHz.
3. When a square wave of between 90kHz and 110kHz is applied to this pin, the switcher operates at the same frequency as the square wave. The falling edge of the square wave corresponds to the start of the switching cycle. If the signal is slower than 25Hz, it will be interpreted as enabling and disabling the part. If the MGJ6-3P is disabled, it must be disabled for 7 clock cycles before being re-enabled.

Note: The $\overline{\text{Dis}}/\text{Sync}$ pin is a high impedance TTL input and can be triggered by noise from external circuits if not treated carefully.

Please refer to "LAYOUT CONSIDERATIONS" and "SYNCHRONISATION CIRCUIT" for further details.

[Click here for general guidance for gate drive applications.](#)

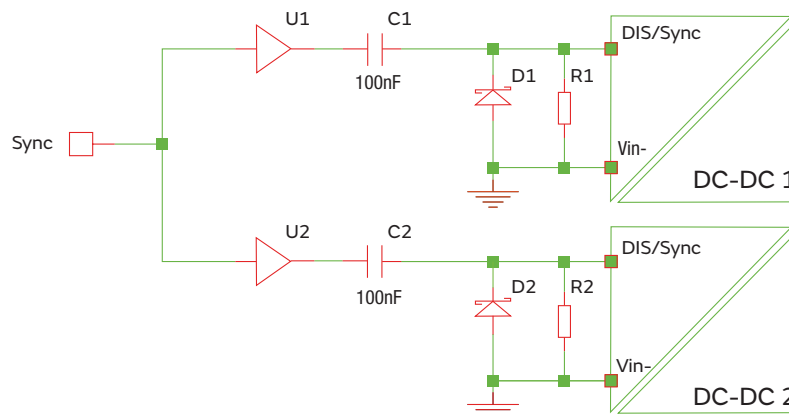
Layout considerations

Unlike standard isolated DC-DC products the MGJ6-3P series has been designed specifically for high side gate drive applications where the outputs are being driven to a high voltage at a very high dV/dT. This is possible due to minimum transformer isolation capacitance and considered circuit design regarding common mode transient immunity. It is important that these few simple pcb layout guidelines are implemented so as not to compromise the performance of the DC-DC and that of the overall system.

1. The keep clear area shown must not have any copper traces even on internal layers. This is not only to avoid compromising the creepage and clearance distance but also to minimise capacitive isolation between the noisy output circuits and input control circuits. In general it is good practice to maintain the same band of clearance area running directly through both the DC-DC and the gate drive isolators as shown so that input and output are kept separate and do not overlap or mesh together at any point.
2. A top layer ground plane copper area connected to $-\text{Vin}$ can be used to create an effective screen to the underside of the MGJ6-3P series and can also be used as a guard ring for the gate drive isolator inputs. If the $\overline{\text{Dis}}/\text{Sync}$ pin is being used then it is imperative that it follows a route covered by this screen to avoid differential pick up. It should also be kept as short as possible.

Please refer to "PACKAGE SPECIFICATIONS" for recommended layout.

Synchronisation circuit



1. A suggested synchronisation circuit is shown. C1 and C2 are 100nF capacitors. D1 and D2 are schottky diodes. The capacitive isolation and close connected diode ensures that a transition from high to low is seen at the input pin even in a noisy environment or when there is a slight ground shift between devices.
2. If the $\overline{\text{Dis}}/\text{Sync}$ pin is not used for synchronisation, then a 22nF capacitor can be added between the $\overline{\text{Dis}}/\text{Sync}$ pin and $-\text{Vin}$ pin to improve noise immunity. If the functionality of $\overline{\text{Dis}}/\text{Sync}$ is not required, the $\overline{\text{Dis}}/\text{Sync}$ pin can be connected directly to the $+\text{Vin}$ pin to improve noise immunity.
3. One very effective method to reduce common mode transient interference is to add a common mode filter to the DC input. It may only be necessary to add one before splitting the supply to each DC-DC.

APPLICATION NOTES (Continued)

Start-up times

Typical start up times for this series, with recommended maximum additional output capacitance are:

Part No.	Start-up times
	ms
MGJ6Q05P24MC	30
MGJ6Q12P24MC	30
MGJ6Q24P24MC	30

Output capacitance must not exceed:

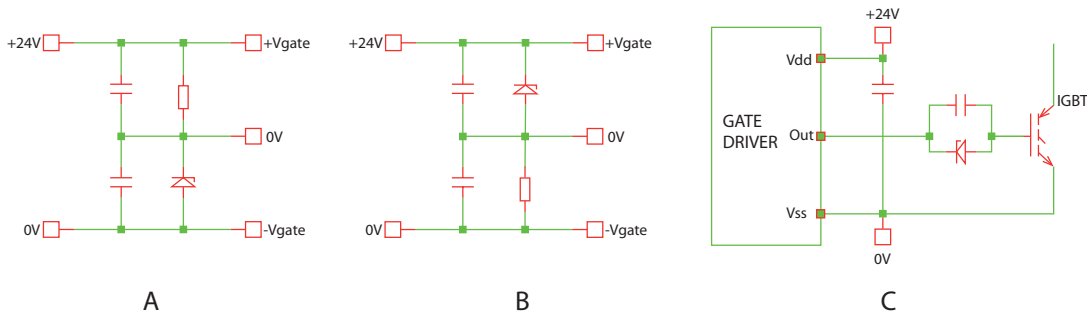
Output Voltage	Maximum output capacitance
V	μF
24 VHA	18
24 VHB	18
24 VHC	18
24 VL	56

Output configurations for power switches

There are several zener based divider circuits that can be used to configure a bipolar output for gate drives as shown below. The table below shows suggested component values for various power switches using circuit A.

Component	IGBT	SIC	MOSFET
Zener diode ¹	9V1	5V1	9V1
Resistor	15K	18K	15K

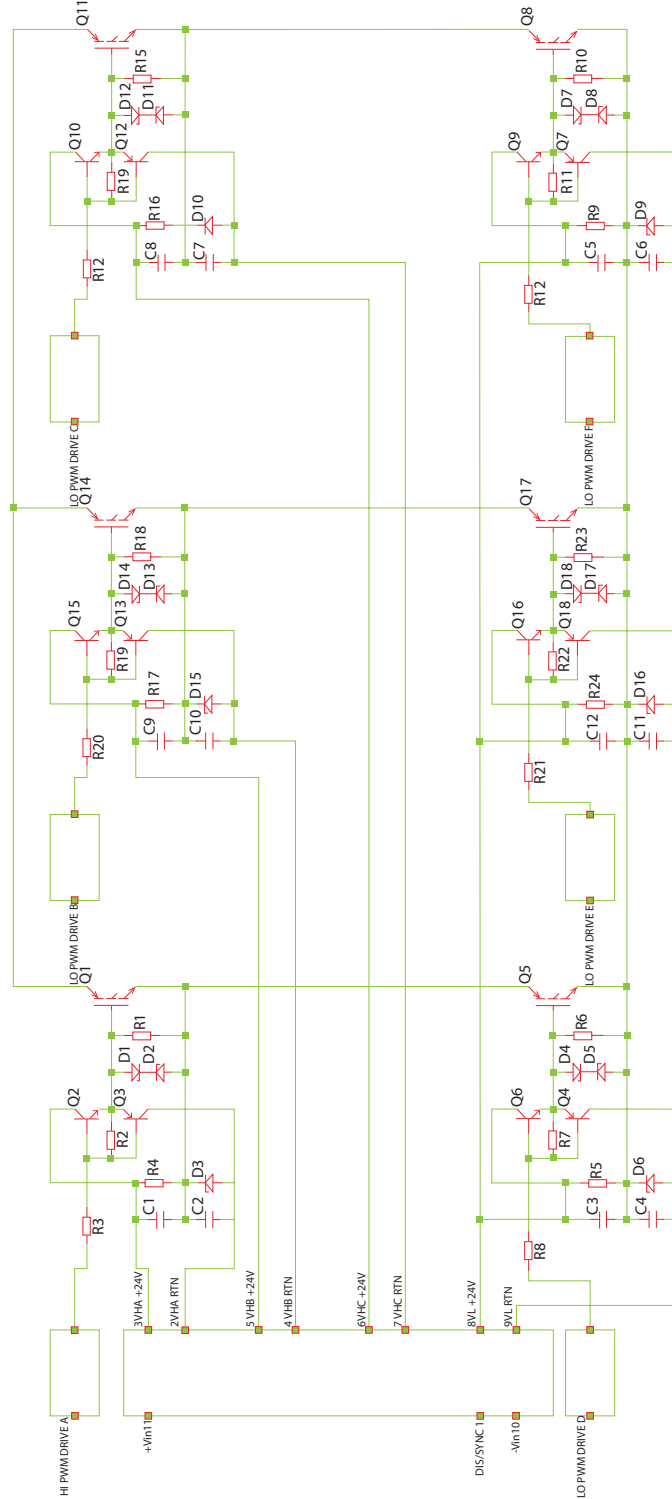
1. Suggested zener diode is BZX84C.



APPLICATION NOTES (Continued)

Schematic for driving IGBT

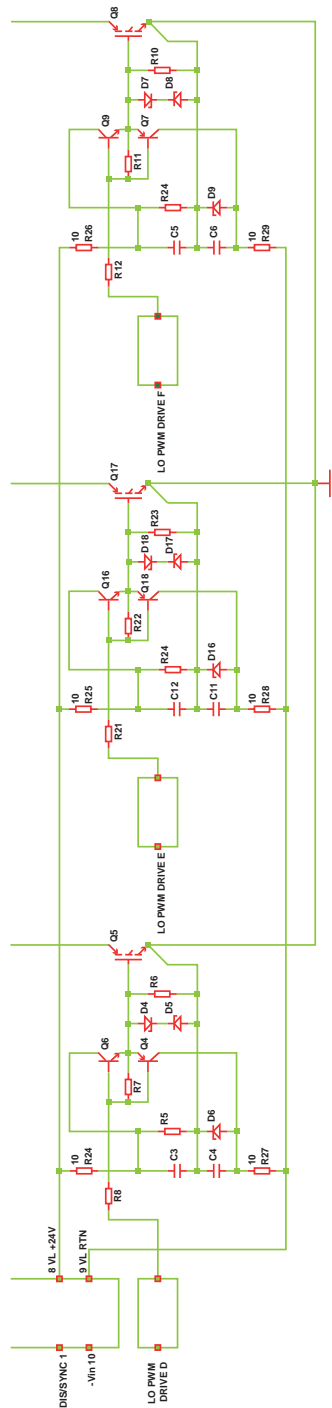
The following circuit shows an example of a complete three phase bridge and how the DC-DC would be connected using the zener divider in circuit A (page 5).



APPLICATION NOTES (Continued)

Schematic for driving IGBT

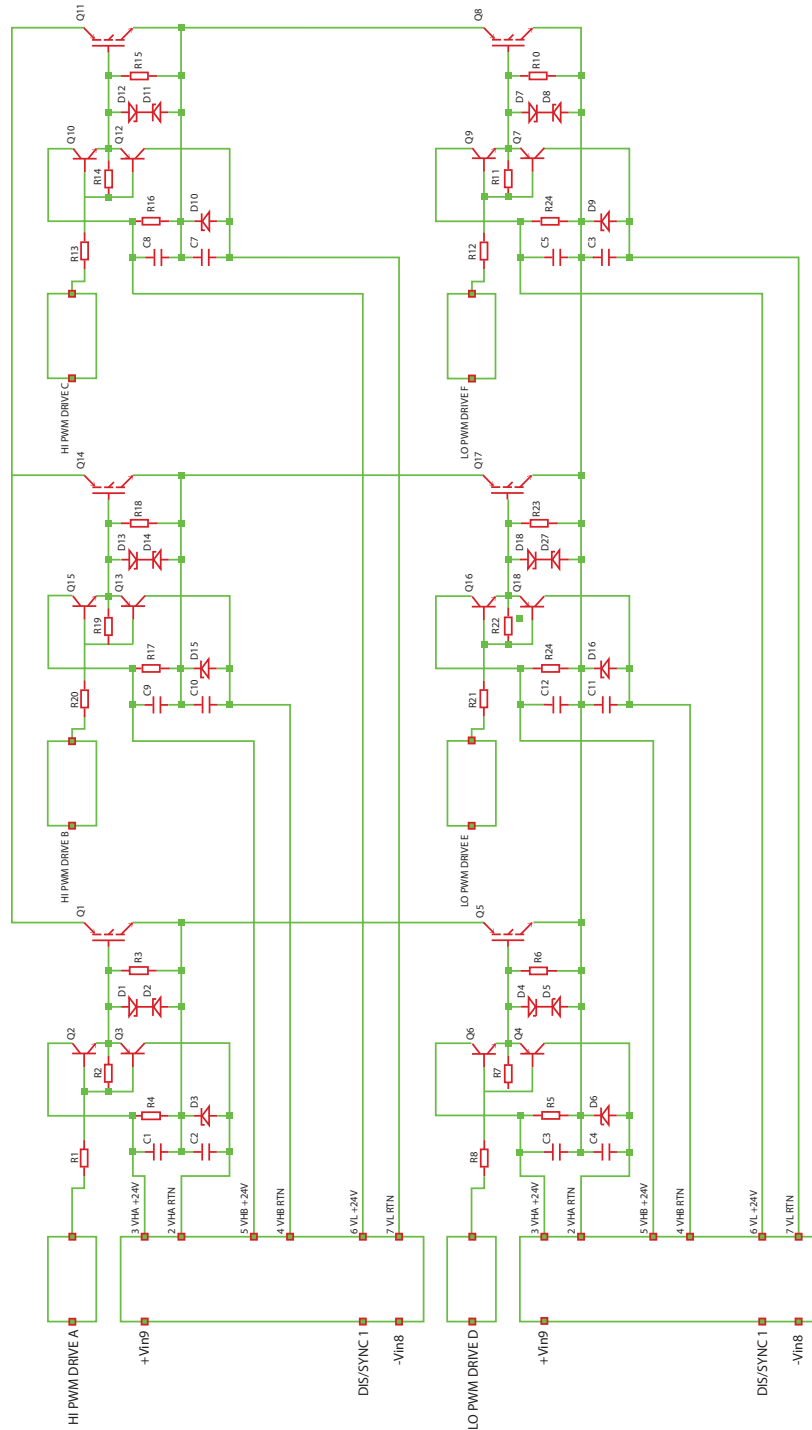
For some high frequency applications where each low side device has a kelvin sense terminal or it is necessary to connect the gate drive supply as close to the device terminal as possible the following circuit can be used. By adding 100ohm resistors in the positive and negative gate supply lines to each gate drive circuit it is possible to create a high frequency separation between the supplies. This means it is possible to significantly reduce the emitter inductance in the gate driving loop without the need for separate isolated supplies.



APPLICATION NOTES (Continued)

Schematic for Powering Three Phase Drivers on Electrical Vehicle Systems

For three phase drives on an Electric Vehicle system it is sometimes necessary, for safety and diagnostic reasons to power the high side switches independently to the Low side switches. This means that if a fault occurs on a the high side switch it is possible to disable all of the high side switches without disabling the low side switches. In this case it is recommended that two full bridge MGJ6 units are used. The circuit below shows how two full bridge MGJ6 units can be connected to achieve this, for more information on the full bridge MGJ6 series please refer to the datasheet.



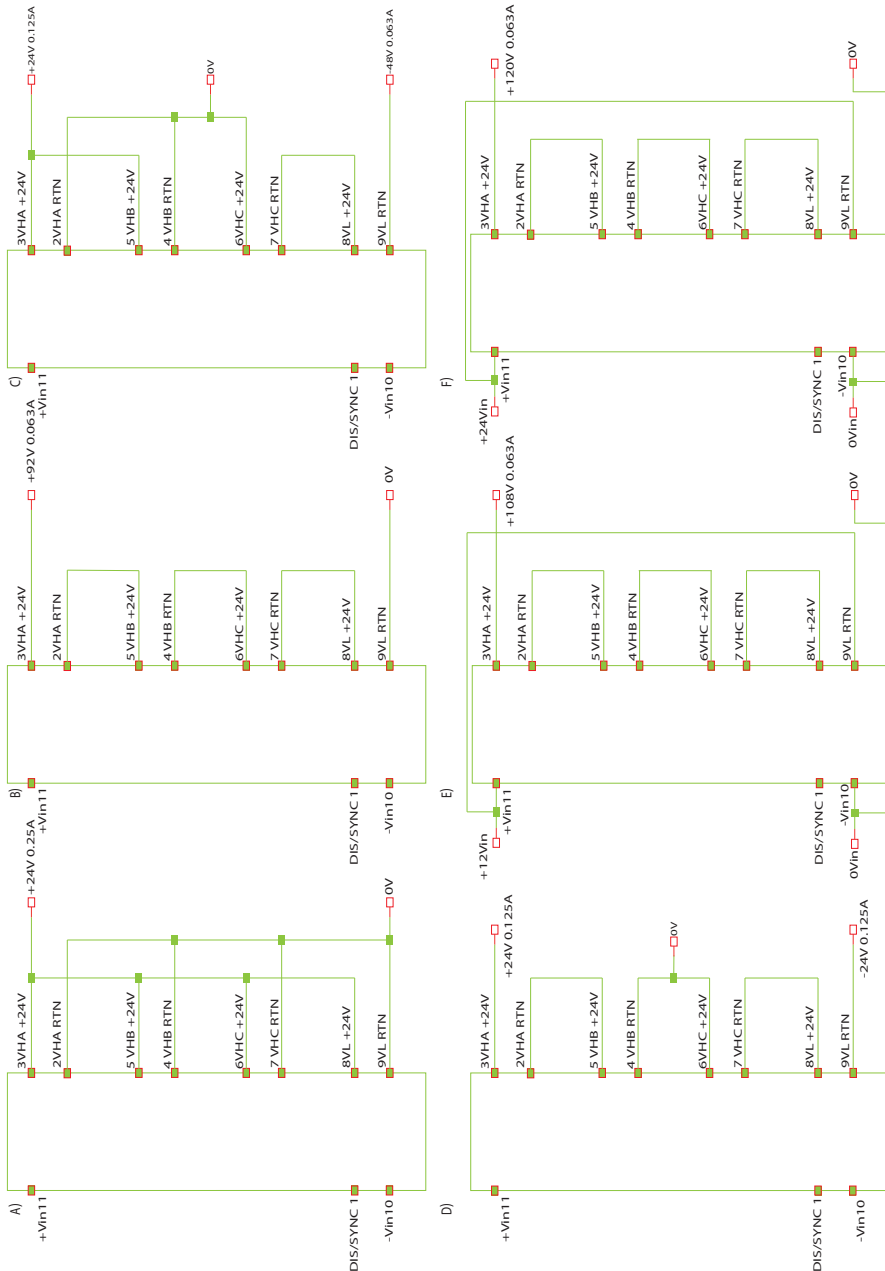
APPLICATION NOTES (Continued)

For convenience the four isolated 24V outputs have been labelled VHA (Voltage A for high side), VHB (Voltage B for high side), VHC (Voltage C for high side) and VL (Voltage for low side) however they can be swapped if this helps to improve system layout. It is recommended however that if VHA, VHB or VHC are used in place of VL that an additional 4.7uF ceramic capacitor is added close to the output pins to reduce ripple voltage.

Any output can be connected in parallel with another and all three outputs can also be connected in series with one another. With the possibility of series and parallel output connections a number of output configurations are possible. Some are shown below:

- A) 24V @ 0.25A
- B) 96V @ 0.063A output
- C) +24V/-48V @ 0.063A
- D) +/-48V @ 0.063A
- E) Non-isolated +12V to +108V boost converter @0.063A
- F) Non-isolated +24V to +120V boost converter @0.063A

Note: Any single 24V output can deliver up to 3W however the output power from all outputs combined must not exceed 6W

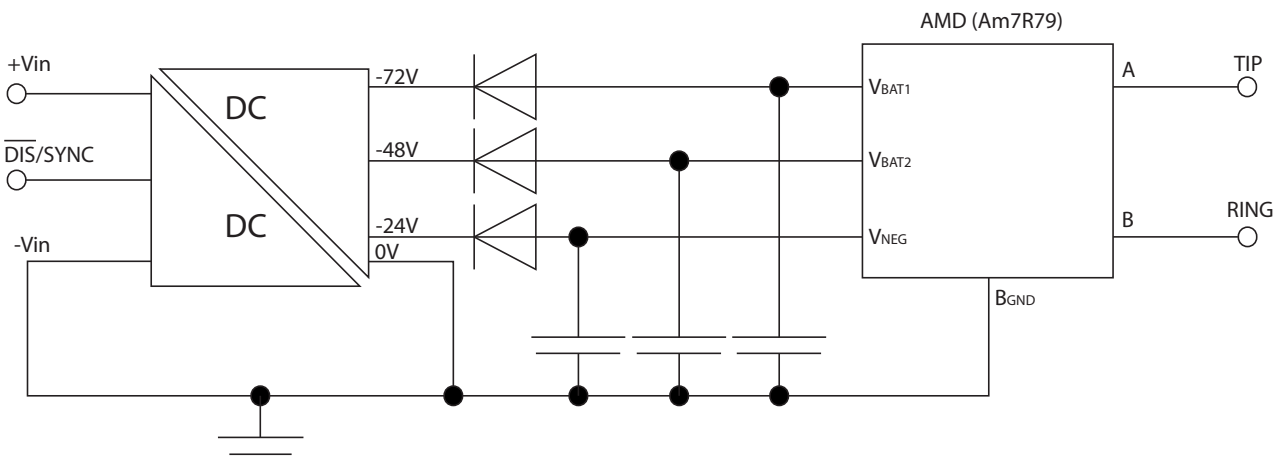


APPLICATION NOTES (Continued)

SLIC Circuits

Power source is preferred to the telephone system power due to either the power quality of the telecommunications system power supply or to avoid potential power line disturbances, such as lightning strikes and access switching, which will affect the target circuit function.

Another application area is in fibre-in-the-loop (FITL) or radio-in-the-loop (RITL) interfacing via a standard telecommunication SLIC, where the usual telecommunication battery voltage is not available due to the transmission media in use (fibre or radio). In particular, FITL/RITL interfaces directly on PC cards, in local monitor and boost circuits and at exchanges between the fibre/radio and wire media. The supply rails can be used for ringing generators as well as SLIC circuits or where both are combined, such as in the AMD AM79R79 Ringing SLIC device (see figure 2). The -72V rail is used primarily for the generation of the ringing signal (VBAT1), the -48V rail is used to supply in line access circuitry (VBAT2) and the -24V supply for the on-chip regulator for the logic interface (VNEG). Alternative devices from other manufacturers could use the +/-24V outputs for their internal circuit supply and -72V for ringing.





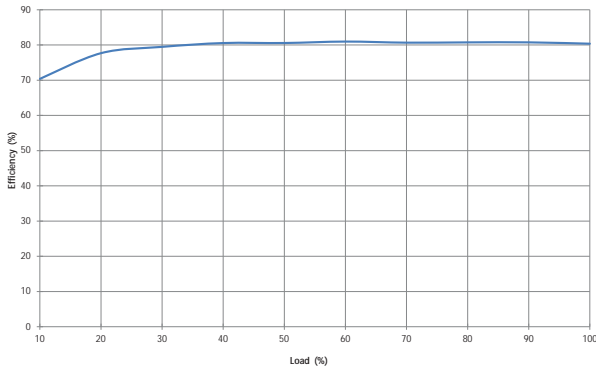
Murata Power Solutions

MGJ6 Three Phase Bridge Series

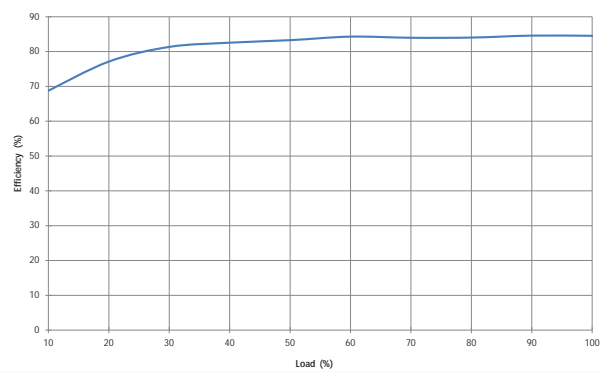
5.7kVDC 6W Quad Output Isolated Gate Drive SM DC-DC Converters

EFFICIENCY VS LOAD

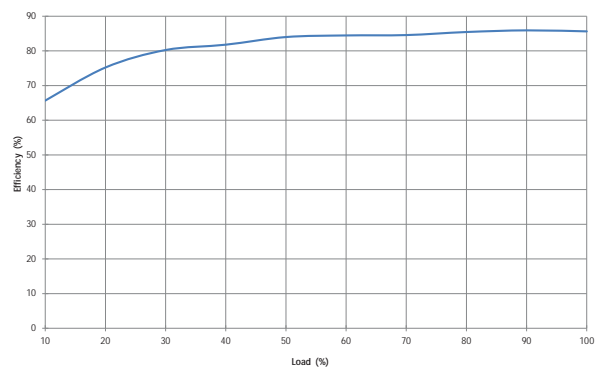
MGJ6Q05P24MC



MGJ6Q12P24MC

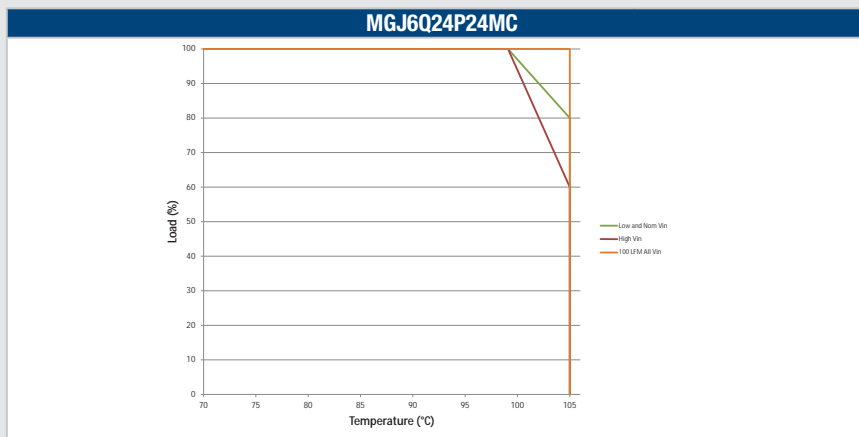
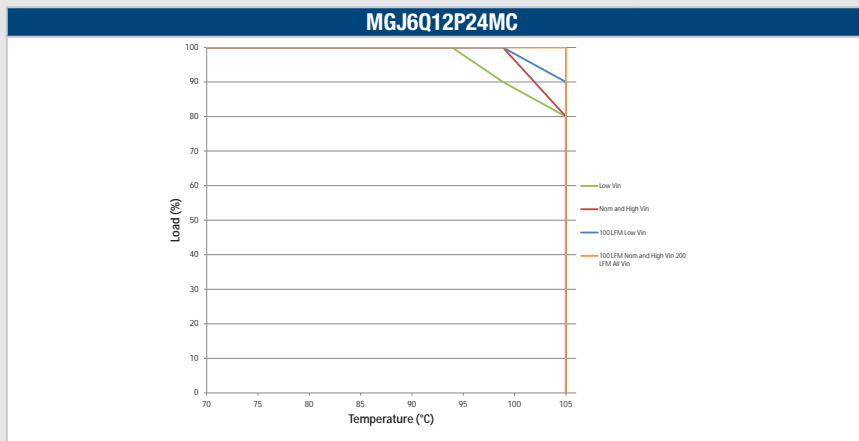
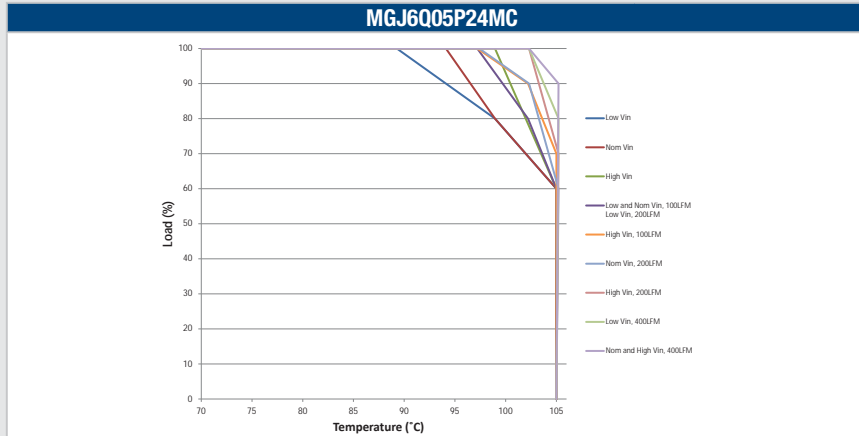


MGJ6Q24P24MC



TEMPERATURE DERATING

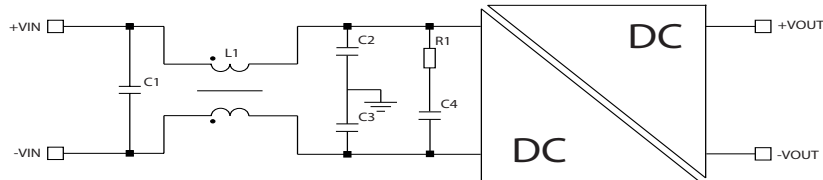
Derating curves are based on IPC-9592. With no derating some components may be operating at the manufacturers maximum temperature ratings.



EMC FILTERING AND SPECTRA

FILTERING

The following filter circuit and filter table shows the input filters typically required to meet conducted emissions limits for EN 55022 curve B using Quasi-Peak (pink line) and average (green line) detectors according to CISPR22. The following plots show measurements of the positive (L1) and negative (L2) inputs for both Quasi-peak limit B adherence and Average limit B adherence. If a high dv/dt above 80kV/us is expected from output to input it is advised that a common mode filter is used on each output as this will reduce the common mode current circulating between outputs and input and causing interference.



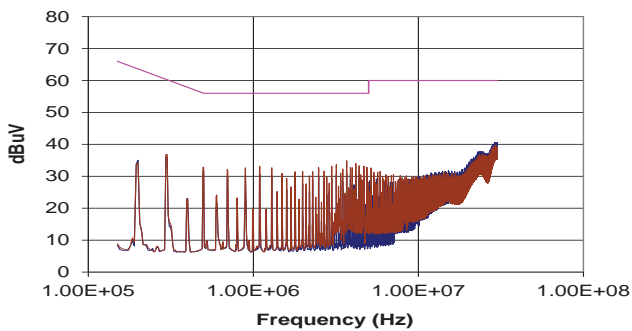
C1, C2 & C3 Polyester or ceramic capacitor

C4 Electrolytic capacitor (note R1 could be omitted if C4 has ESR \geq R1)

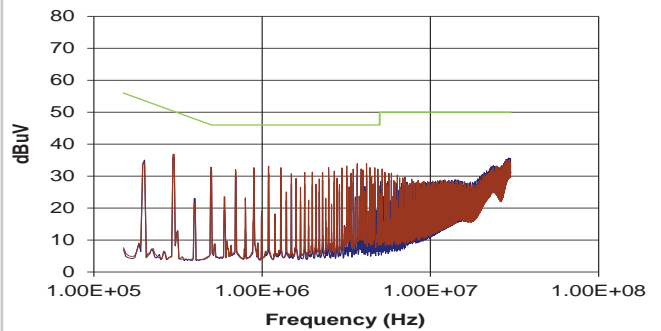
TO MEET CURVE B

Part Number	C1	L1	Part Number	C2	C3	R1	C4
MGJ6Q05P24MC	10 μ F	1mH	51105C	1nF	1nF	1 Ω	470 μ F
MGJ6Q12P24MC	10 μ F	1mH	51105C	1nF	1nF	1 Ω	470 μ F
MGJ6Q24P24MC	10 μ F	1mH	51105C	1nF	1nF	1 Ω	470 μ F

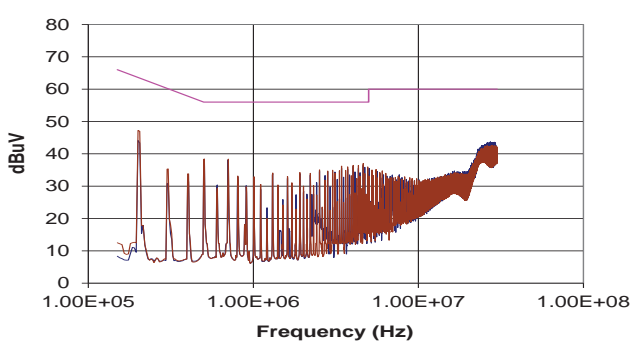
MGJ6Q05P24MC (Quasi Peak)



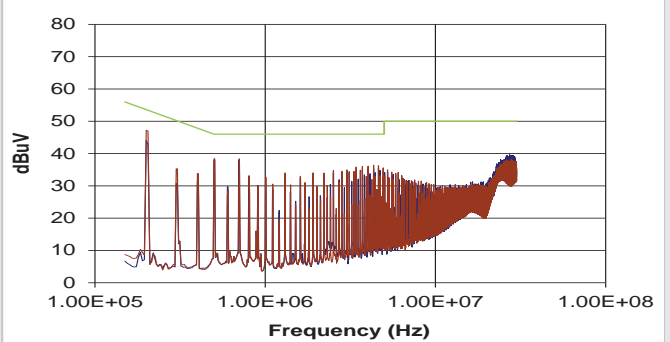
MGJ6Q05P24MC (Average)



MGJ6Q12P24MC (Quasi Peak)

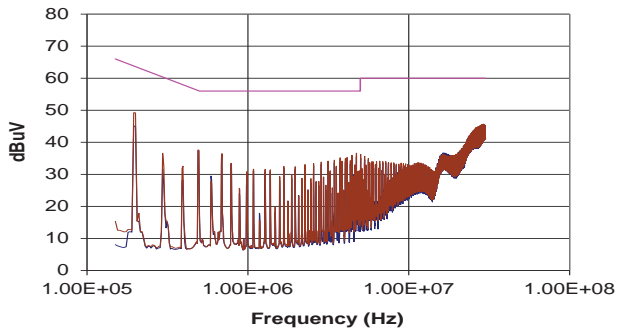


MGJ6Q12P24MC (Average)

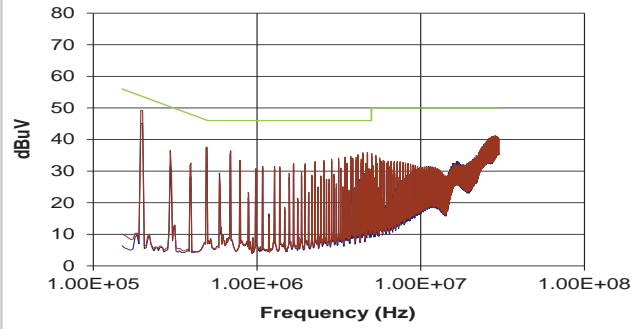


EMC FILTERING AND SPECTRA (Continued)

MGJ6Q24P24MC (Quasi Peak)

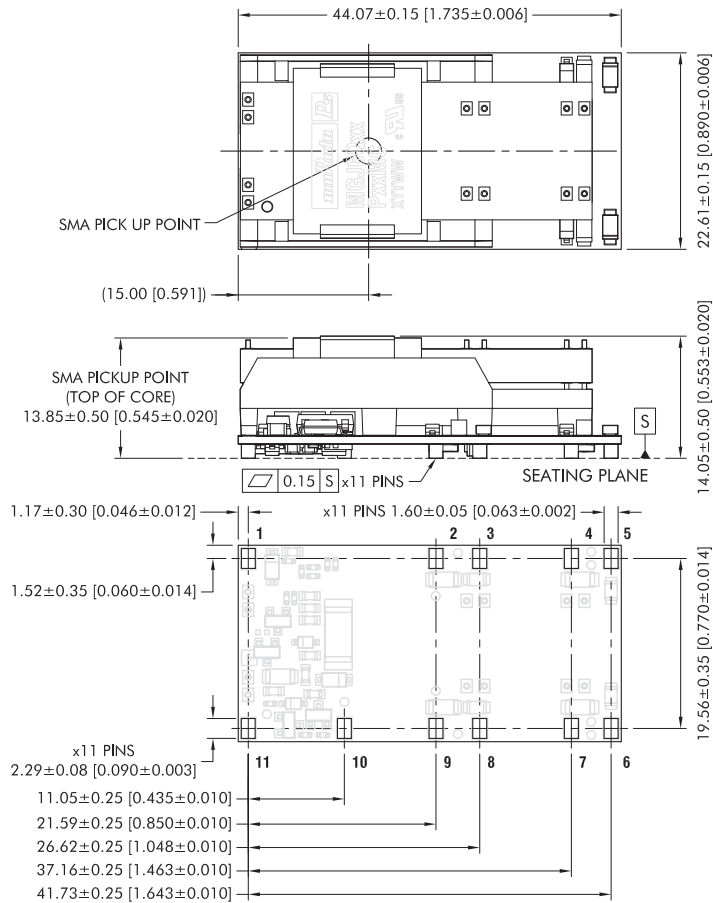


MGJ6Q24P24MC (Average)



PACKAGE SPECIFICATIONS

MECHANICAL DIMENSIONS



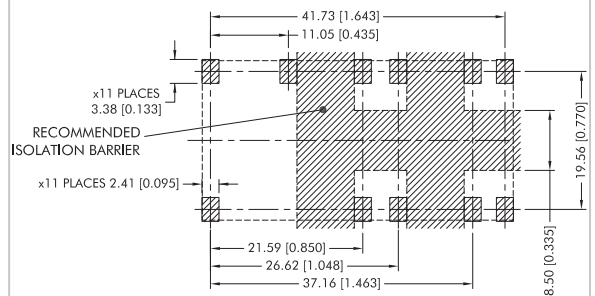
All dimensions in mm (inches), Controlling dimensions is mm.
Component shown for reference only.

Weight: 17.7g

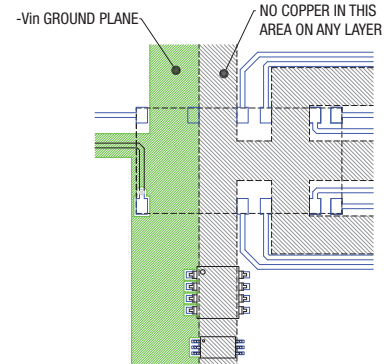
PIN CONNECTIONS

Pin	Function
1	$\bar{D}is/Sync$
2	VHA RTN
3	VHA +24V
4	VHB RTN
5	VHB +24V
6	VHC +24V
7	VHC RTN
8	VL +24V
9	VL RTN
10	-Vin
11	+Vin

RECOMMENDED FOOTPRINT DETAILS



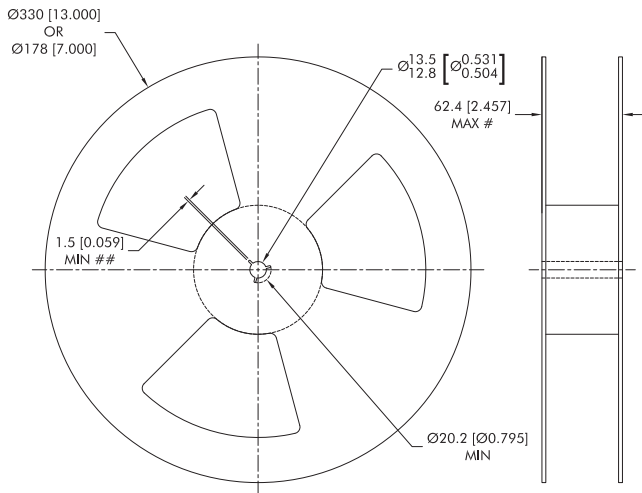
RECOMMENDED LAYOUT



Please refer to "[LAYOUT CONSIDERATIONS](#)" for further details.

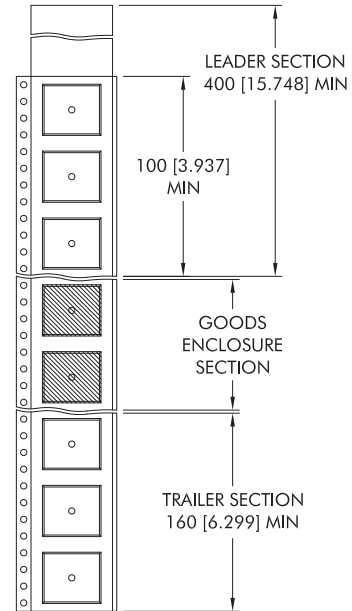
TAPE & REEL SPECIFICATIONS

REEL OUTLINE DIMENSIONS



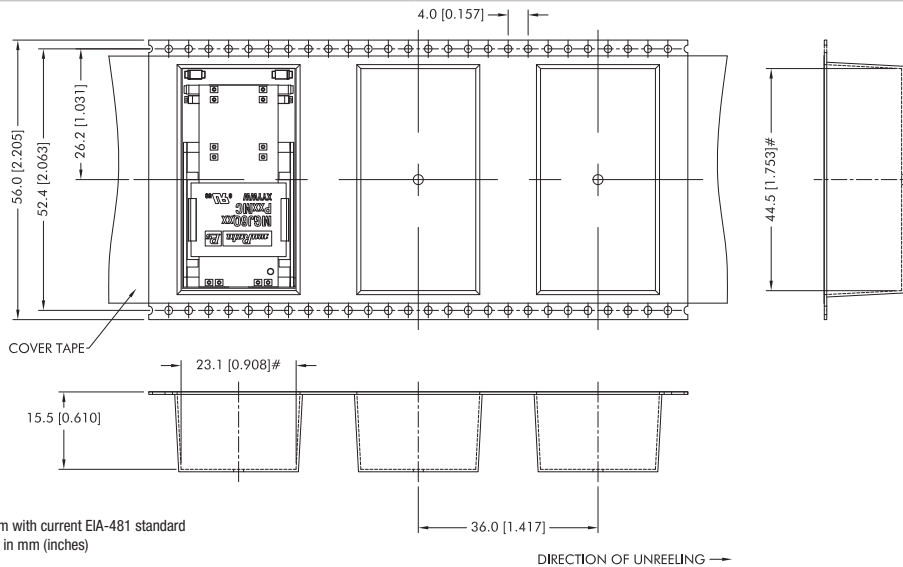
Tape & Reel specifications shall conform with current EIA-481 standard
 Unless otherwise stated all dimensions in mm (inches)
 Controlling dimension is mm
 # Measured at hub
 ## Six equi-spaced slots on 180mm/7" reel

REEL PACKAGING DETAILS



Reel Quantity: 7" - 23 or 13" - 92
 Carrier tape pockets shown are illustrative only - refer to carrier tape diagram for actual pocket details

TAPE OUTLINE DIMENSIONS



Tape & Reel specifications shall conform with current EIA-481 standard
 Unless otherwise stated all dimensions in mm (inches)
 Controlling dimension is mm
 Components shall be orientated within the carrier tape as indicated
 # Measured on a plane 0.3mm above the bottom pocket

DISCLAIMER

Unless otherwise stated in the datasheet, all products are designed for standard commercial and industrial applications and NOT for safety-critical and/or life-critical applications.

Particularly for safety-critical and/or life-critical applications, i.e. applications that may directly endanger or cause the loss of life, inflict bodily harm and/or loss or severe damage to equipment/property, and severely harm the environment, a prior explicit written approval from Murata is strictly required. Any use of Murata standard products for any safety-critical, life-critical or any related applications without any prior explicit written approval from Murata shall be deemed unauthorised use.

These applications include but are not limited to:

- Aircraft equipment
- Aerospace equipment
- Undersea equipment
- Power plant control equipment
- Medical equipment
- Transportation equipment (automobiles, trains, ships, etc.)
- Traffic signal equipment
- Disaster prevention / crime prevention equipment
- Data Processing equipment

Murata makes no express or implied warranty, representation, or guarantee of suitability, fitness for any particular use/purpose and/or compatibility with any application or device of the buyer, nor does Murata assume any liability whatsoever arising out of unauthorised use of any Murata product for the application of the buyer. The suitability, fitness for any particular use/purpose and/or compatibility of Murata product with any application or device of the buyer remain to be the responsibility and liability of the buyer.

Buyer represents and agrees that it has all the necessary expertise to create and implement safeguards that anticipate dangerous consequences of failures, monitor failures and their consequences, lessen the likelihood of failures that might cause harm, and take appropriate remedial actions. Buyer will fully indemnify and hold Murata, its affiliated companies, and its representatives harmless against any damages arising out of unauthorised use of any Murata products in any safety-critical and/or life-critical applications.

Remark: Murata in this section refers to Murata Manufacturing Company and its affiliated companies worldwide including, but not limited to, Murata Power Solutions.



This product is subject to the following [operating requirements](#) and the [Life and Safety Critical Application Sales Policy](#):

Refer to: <https://www.murata.com/en-eu/products/power/requirements>

Murata Power Solutions (Milton Keynes) Ltd. makes no representation that the use of its products in the circuits described herein, or the use of other technical information contained herein, will not infringe upon existing or future patent rights. The descriptions contained herein do not imply the granting of licenses to make, use, or sell equipment constructed in accordance therewith. Specifications are subject to change without notice.

© 2022 Murata Power Solutions (Milton Keynes) Ltd.