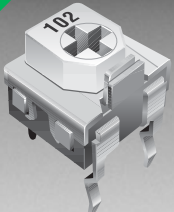


RoHS COMPLIANT



**BOURNS®**

**Features**

- Single-Turn / Carbon / Commercial Open Frame
- Cross slot rotor design suitable for automatic adjustment equipment
- Board retention features
- Enclosed cover
- PC board stand-offs
- Adjustable front / back, top / bottom
- RoHS compliant\*

**3318 - 6 mm Square Trimming Potentiometer**

**Electrical Characteristics**

Standard Resistance Range .....100 Ω to 1 MΩ  
 (see standard resistance table)  
 Resistance Tolerance .....±20 %  
 Contact Resistance Variation .....10 % max.  
 Resolution .....Infinite  
 Adjustment Angle.....210 °± 15 °

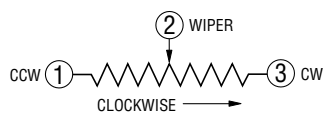
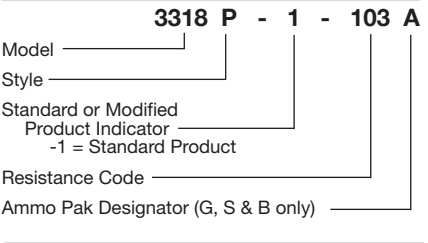
**Environmental Characteristics**

Power Rating .....0.1 watt  
 Temperature Range.....-10 °C to +70 °C  
 Temperature Coefficient.....±1,000 PPM/°C  
 Load Life .....240 hours @ 50 °C (+20/-5 %ΔTR)

**Physical Characteristics**

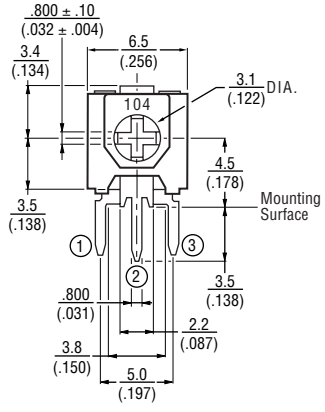
Torque (Operating).....20~250 gf-cm  
 Stop Strength  
 Knob Side .....800 gf-cm  
 Reverse Side.....350 gf-cm  
 Terminals .....Solderable pins  
 Marking .....Resistance code  
 Standard Packaging .....500 pcs. per bag

**How to Order**

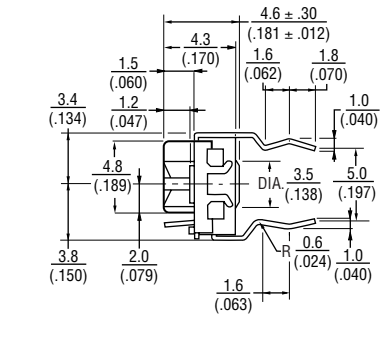
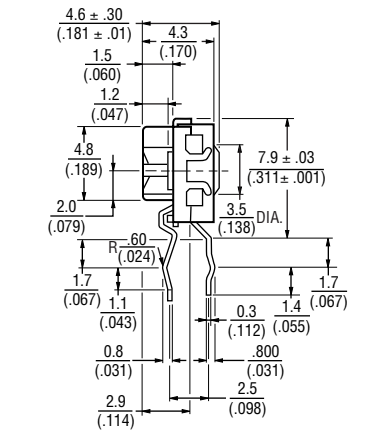
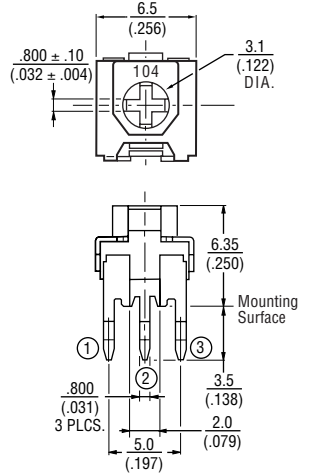


**Product Dimensions**

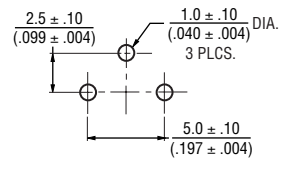
**Model 3318S**



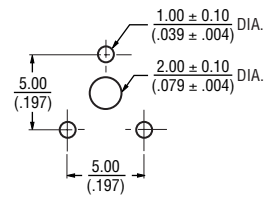
**Model 3318P**



**Recommended PCB Layout**



**Recommended PCB Layout**



TOLERANCES: ± 0.25 (.010) EXCEPT WHERE NOTED

DIMENSIONS ARE:  $\frac{\text{MM}}{\text{(INCHES)}}$

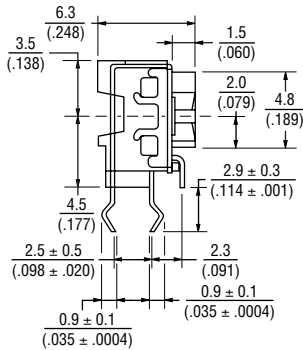
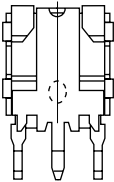
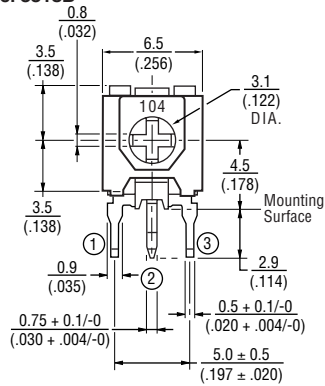
\*RoHS Directive 2002/95/EC Jan 27 2003 including Annex.  
 Specifications are subject to change without notice.  
 Customers should verify actual device performance in their specific applications.

# 3318 - 6 mm Square Trimming Potentiometer

**BOURNS®**

## Product Dimensions

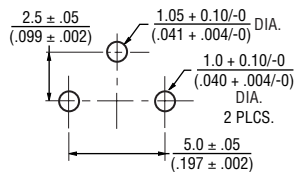
Model 3318B



## Standard Resistance Table

Resistance (Ohms)	Resistance Code	Resistance (Ohms)	Resistance Code
100	101	10,000	103
200	201	20,000	203
220	221	22,000	223
300	301	30,000	303
500	501	47,000	473
1000	102	50,000	503
2000	202	100,000	104
2200	222	200,000	204
3000	302	220,000	224
3300	332	470,000	474
4700	472	500,000	504
5000	502	100,000	105

## Recommended PCB Layout



TOLERANCES: ± 0.25 (.010) EXCEPT WHERE NOTED

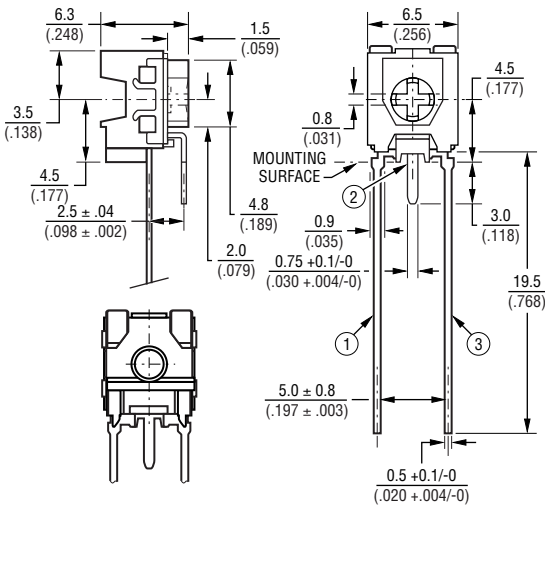
DIMENSIONS ARE:  $\frac{\text{MM}}{\text{(INCHES)}}$

# 3318 - 6 mm Square Trimming Potentiometer

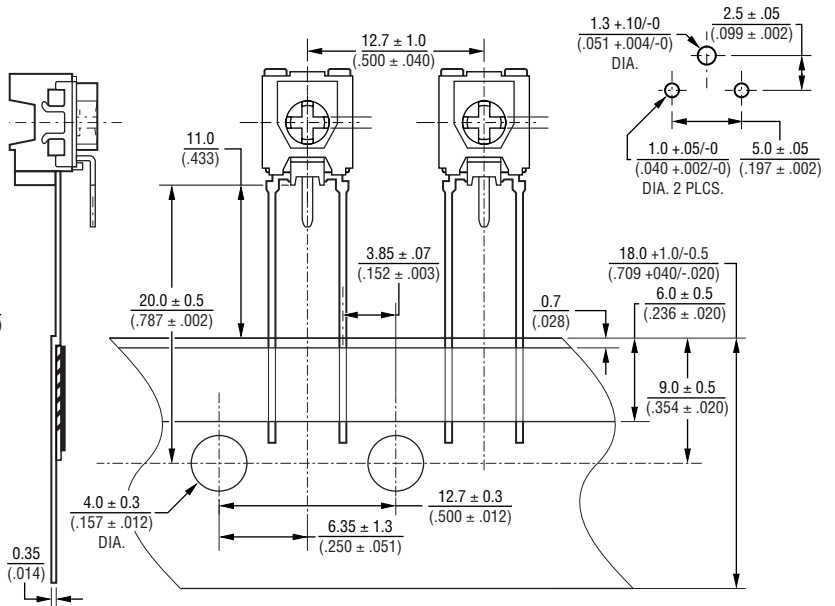
**BOURNS®**

## Packaging Specifications

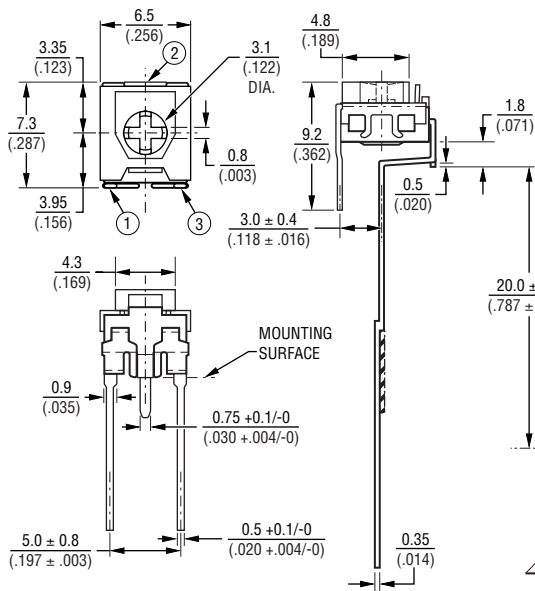
### Ammo Pack Model 3318S



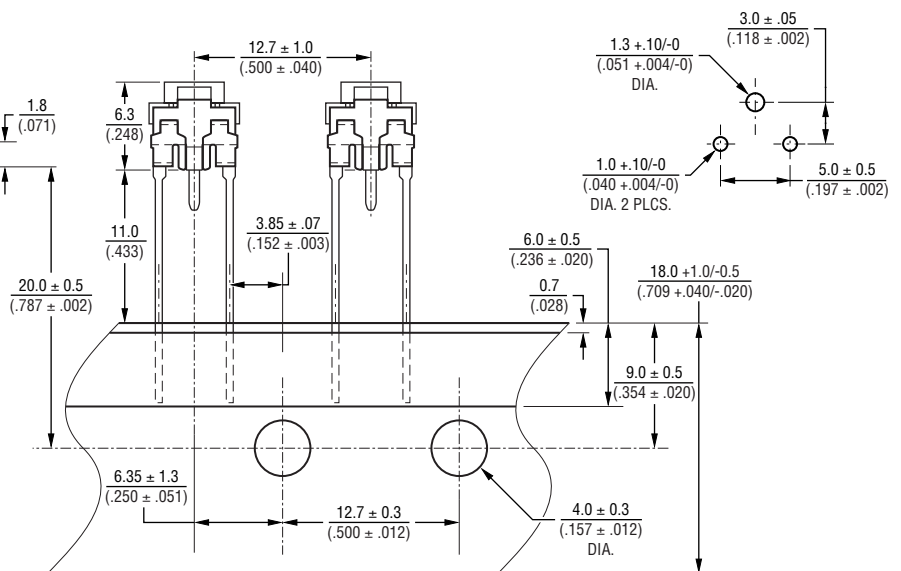
### Recommended PCB Layout



### Ammo Pack Model 3318G



### Recommended PCB Layout



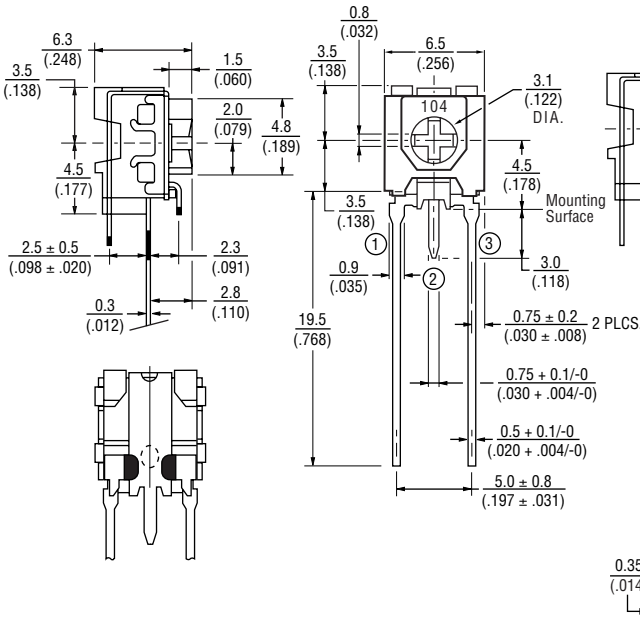
Specifications are subject to change without notice.  
Customers should verify actual device performance in their specific applications.

# 3318 - 6 mm Square Trimming Potentiometer

**BOURNS®**

## Packaging Specifications

### Ammo Pack Model 3318B



### Recommended PCB Layout

