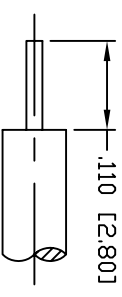
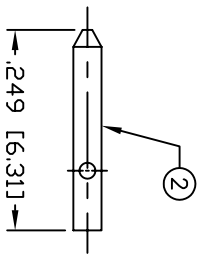
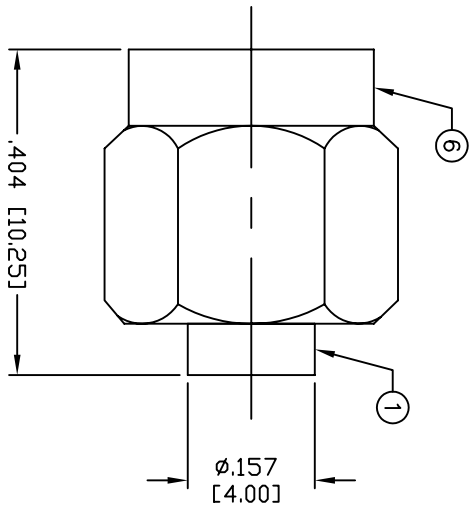


THIS DRAWING CONTAINS INFORMATION PROPRIETARY TO RF INDUSTRIES.  
 ANY UNAUTHORIZED USE OF THIS DRAWING IS EXPRESSLY PROHIBITED  
 WITHOUT WRITTEN PERMISSION FROM RF INDUSTRIES.  
 ANY VIOLATION IS PUNISHABLE UNDER U.S. COPYRIGHT LAWS.

ALL DIMENSIONS ARE REFERENCE ONLY



PIN TO BE SOLDERED

RECOMMENDED STRIPPING DIMENSIONS

**SPECIFICATIONS:**

IMPEDANCE: 50 Ohms  
 FREQUENCY RANGE: 0-18.0 GHz  
 INSERTION LOSS(DB):  $0.03 \times \sqrt{f(\text{GHz})}$   
 VSWR: 1.3 MAX.  
 WORKING VOLTAGE: 500 V rms Max. @ Sea Level  
 INSULATION RESISTANCE: 5k M Ohms min.  
 TEMPERATURE RANGE: -65°C TO 165°C  
 FOR .085 SEMI RIGID, RG-405/U & BELDEN 1671A CABLE

1	BODY	1	BRASS	GOLD, 30μ"	000712	
2	PIN	1	BRASS	GOLD, 30μ"		
3	INSULATOR	1	PTFE	---		
4	RETAINING RING	1	Be-Cu	NICKEL, 100μ"		
5	O-RING	1	RUBBER	---		
6	SHELL	1	SST	PASSIVATED		
7						
8						
9						
10						
11						
12						
13						
14						
#	DESCRIPTION	QTY	MATRL	FINISH	APPROVALS	DATE

UNLESS OTHERWISE SPECIFIED:  
 1. REMOVE ALL BURRS  
 2. BREAK ALL CORNERS & EDGES .005 R. MAX.  
 3. CHAMFER 1ST & LAST THREADS 45°  
 4. SURFACE ROUGHNESS 6.3 FINISH MIL-STD-10  
 5. DIAMETERS ON COMMON CENTERS TO BE CONCENTRIC WITHIN .002 T.I.R.  
 6. ALL DIMENSIONS ARE AFTER PLATING.

DIMENSIONS ARE IN INCHES AND [MILLIMETERS]  
 UNLESS OTHERWISE NOTED TOLERANCES ARE:  
 DECIMALS .XXX±.003 [.08]  
 DIAMETER .XXX±.001 [.03]  
 .XXX±.005 [.13]

PART NO. <b>RSA-3505-085-03</b>		
REV	DESCRIPTION	
-	ENGINEERING RELEASE	
DWN	DATE	APPROVED
GGG	3/7/02	JMc

**RF connectors**  
 DIVISION OF RF INDUSTRIES, LTD.  
 7610 MIRAMAR RD  
 SAN DIEGO, CA 92126  
 (858) 549-6340  
 (858) 549-6345 FAX

**SMA PLUG**

DIRECT SOLDER TO .085" CABLE

SIZE	CABLE GROUP	DWG NO.	REV
A	SR 1	RSA-3505-085-03	-
SCALE:	NTS	CAD FILE	OUTLINE
SHEET	1	OF	1