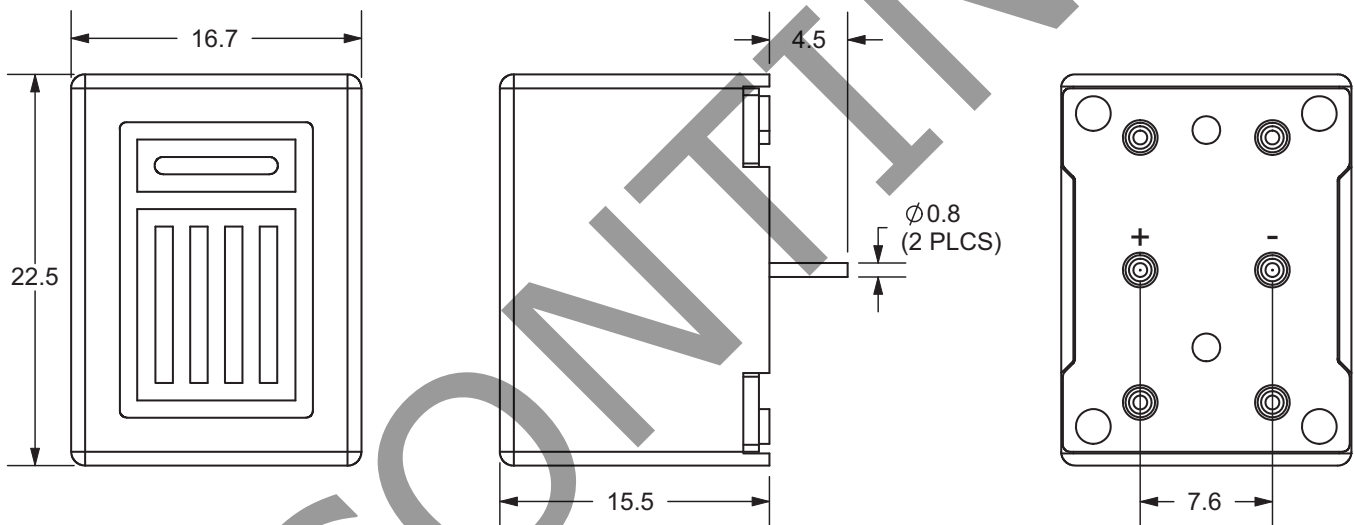


PART NUMBER: CS-3224**DESCRIPTION:** solid state buzzer**SPECIFICATONS**

operating voltage	20 ~ 28 V DC	
current consumption	20 mA max.	at 24 V DC
sound pressure level	76 db min.	at 30 cm/24 V DC
tone	continuous	
operating temperature	-20 ~ +60° C	
storage temperature	-30 ~ +70° C	
weight	8.5 g max.	
RoHS	yes	

APPEARANCE DRAWINGtolerance: ± 0.5

units: mm

**CURRENT CONSUMPTION/SOUND PRESSURE LEVEL**Tolerance: ± 0.5 mm