



## FEATURES

- RoHS compliant
- Inductance range from 1.2μH to 220μH
- Small footprint
- Ultra-low profile
- UL 94V-0 packaging materials
- Tape & reel
- J-STD-020C reflow
- Custom inductance values available

## PRODUCT OVERVIEW

The 3400L series is a lower profile version of our 3400 series range of bobbin-wound, shielded inductors. They are suitable for power-line filtering found in consumer electronics such as desktop computers, handheld devices and GPS systems, as well as in a vast range of industrial and telecom applications including network hubs, bridges/routers, and high frequency wireless communication devices.

These surface mount inductors are extremely compact and have an integral shield, making them useful in EMI sensitive applications.

## SELECTION GUIDE

Order Code	Inductance, L	DC Current <sup>2</sup>	DC Resistance
	±20% μH	Max. A	Max. Ω
<b>Discontinued</b>			
<b>34L122C</b>	1.2 ± 30%	1.70	0.075
<b>34L152C</b>	1.5 ± 30%	1.65	0.085
<b>34L222C</b>	2.2 ± 30%	1.35	0.100
<b>34L332C</b>	3.3 ± 30%	1.00	0.150
<b>34L472C</b>	4.7 ± 30%	0.70	0.180
<b>34L682C</b>	6.8 ± 30%	0.68	0.265
<b>34L103C</b>	10	0.66	0.325
<b>34L153C</b>	15	0.65	0.520
<b>34L223C</b>	22	0.48	0.780
<b>34L333C</b>	33	0.36	1.180
<b>34L473C</b>	47	0.31	1.820
<b>34L683C</b>	68	0.28	2.130
<b>34L104C</b>	100	0.24	3.330
<b>34L154C</b>	150	0.18	6.100
<b>34L224C</b>	220	0.16	8.000

## ABSOLUTE MAXIMUM RATINGS

Operating temperature range	-40°C to 125°C
Storage temperature range	-40°C to 150°C

## SOLDERING INFORMATION<sup>1</sup>

Peak reflow solder temperature	260°C
Pin finish	SAC 305
Moisture sensitivity level <sup>3</sup>	1



For full details go to  
[www.murata-ps.com/rohs](http://www.murata-ps.com/rohs)

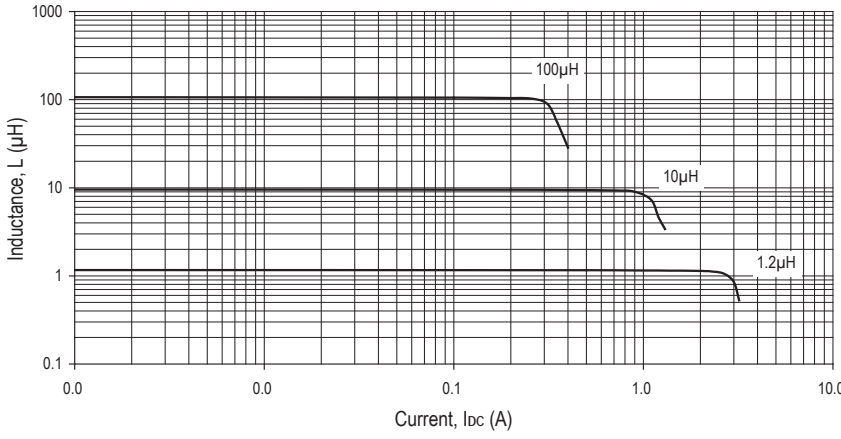
Specifications typical at T<sub>A</sub> = 25°C

<sup>1</sup> For further information, please visit [www.murata-ps.com/rohs](http://www.murata-ps.com/rohs)

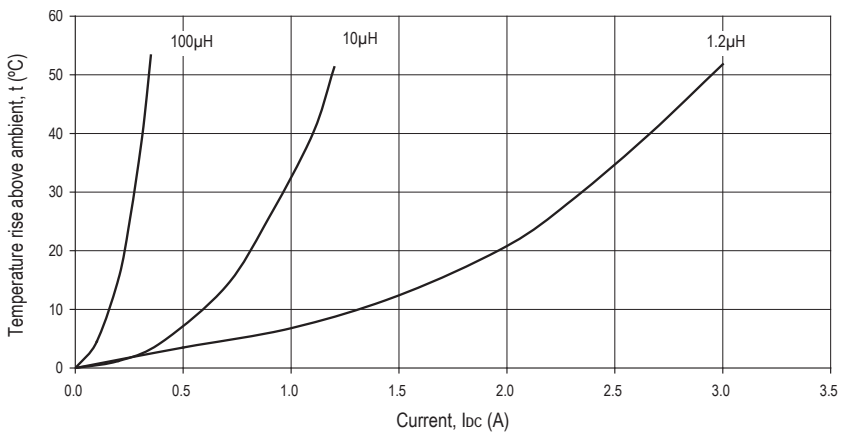
<sup>2</sup> The maximum DC current is the value at which the inductance falls to 75% of its nominal value or when its temperature rise reaches 40°C, whichever is sooner.

<sup>3</sup> When tested to moisture sensitivity level 1, as described per IPC/JEDEC J-STD-020D, products passed electrical testing, package

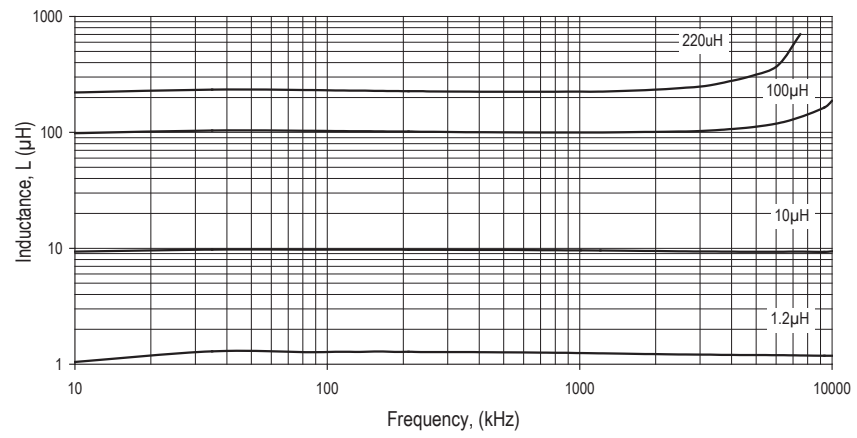
**INDUCTANCE Vs CURRENT**



**TEMPERATURE Vs CURRENT**

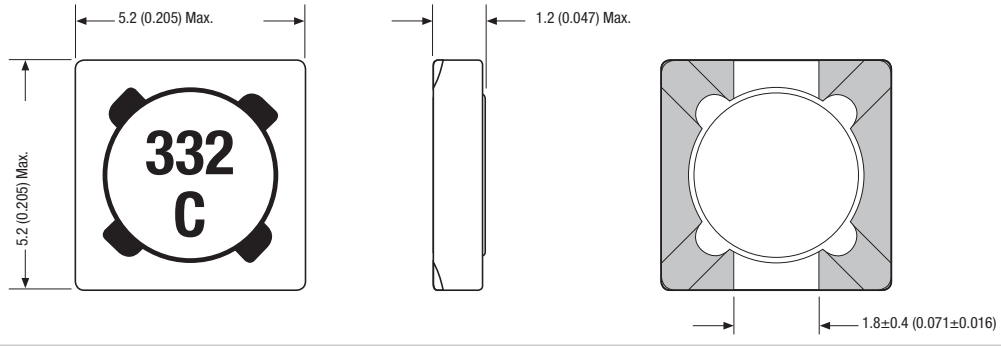


**INDUCTANCE Vs FREQUENCY**

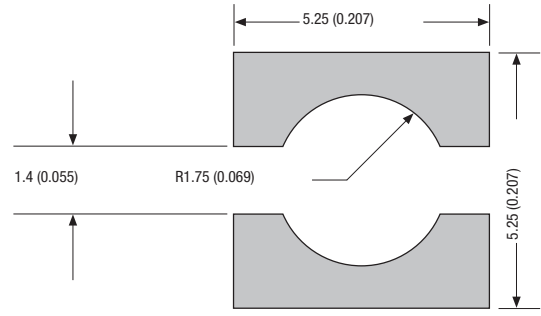


**PACKAGE SPECIFICATIONS**

**Mechanical Dimensions**



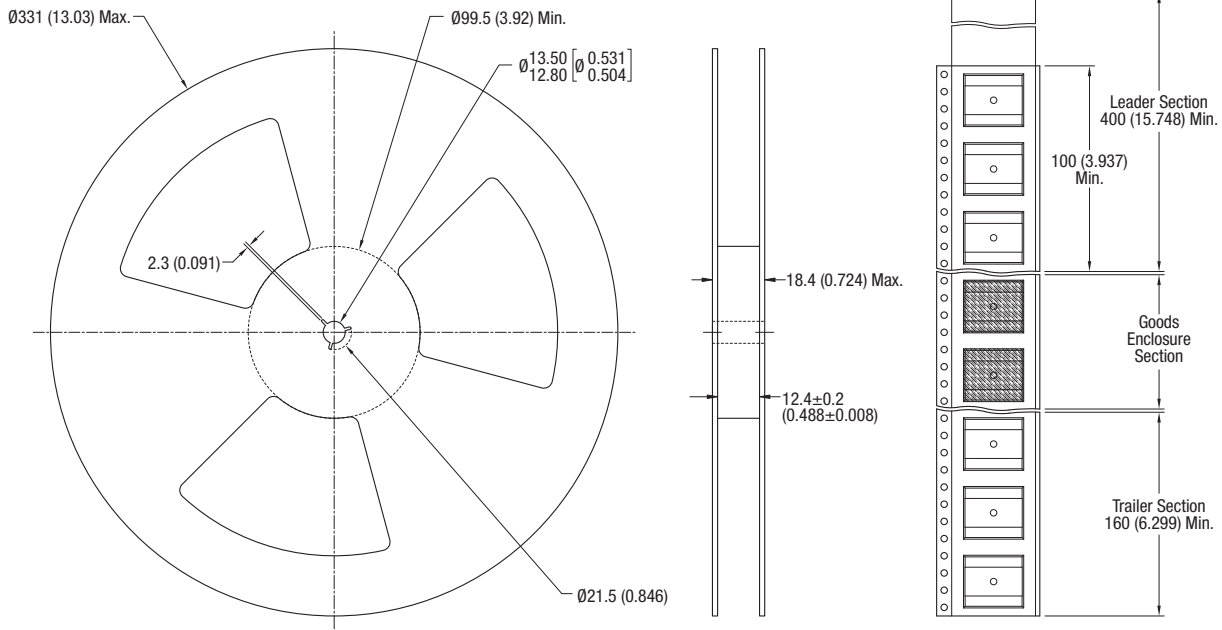
**Recommended Footprint Details**



All dimensions in mm (inches)

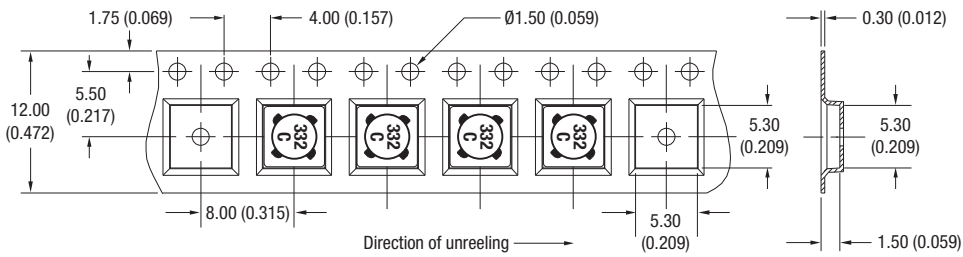
**PACKAGE SPECIFICATIONS**

**Mechanical Dimensions**



All dimension in mm (inches)

**Tape Outline Dimensions**



Reel quantity: 4000  
Unless otherwise stated, all dimensions in mm (inches).

Murata Power Solutions, Inc.  
11 Cabot Boulevard, Mansfield, MA 02048-1151 U.S.A.  
ISO 9001 and 14001 REGISTERED

Murata Power Solutions, Inc. makes no representation that the use of its products in the circuits described herein, or the use of other technical information contained herein, will not infringe upon existing or future patent rights. The descriptions contained herein do not imply the granting of licenses to make, use, or sell equipment constructed in accordance therewith. Specifications are subject to change without notice.  
© 2018 Murata Power Solutions, Inc.