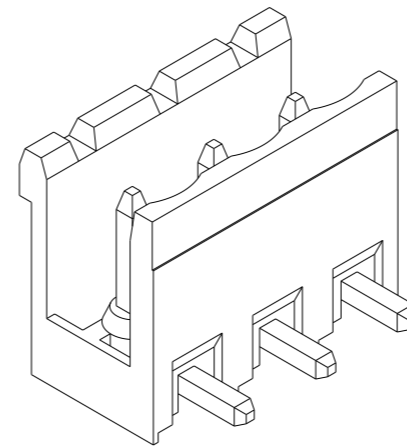
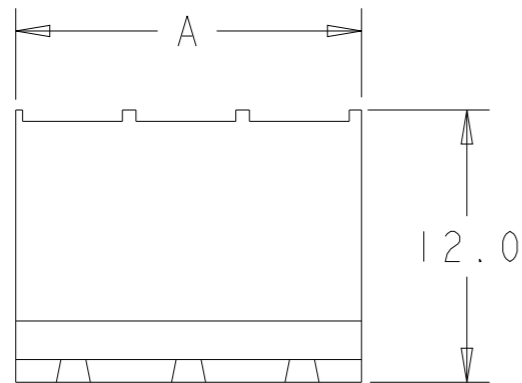


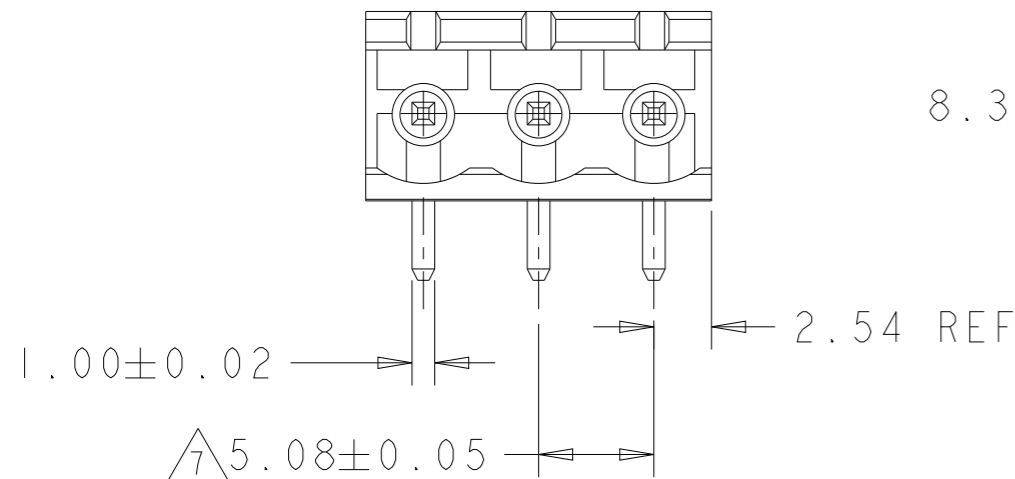
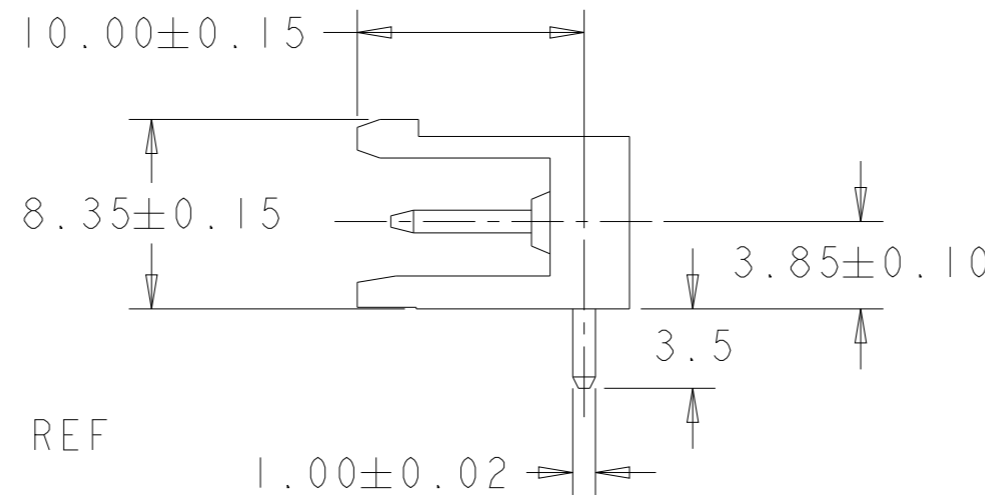
REVISIONS

P	LTR	DESCRIPTION	DATE	DWN	APVD
	C3	PN 2-282815-6 ADDED	26MAR2018	RK	PS
	C4	PART STATUS UPDATED	05JUL2021	SB	SS

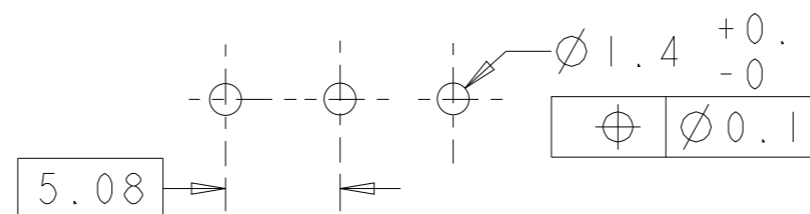


282815-3 AS SHOWN

OBSOLETE	COLOR	DIM. A	NO OF POS.	PART NUMBER
	ORANGE	15.24	3	2-282815-6
	GREEN	127.00	25	2-282815-5
	GREEN	121.92	24	2-282815-4
	GREEN	116.84	23	2-282815-3
	GREEN	111.76	22	2-282815-2
	GREEN	106.68	21	2-282815-1
	GREEN	101.60	20	2-282815-0
	GREEN	96.52	19	1-282815-9
	GREEN	91.44	18	1-282815-8
	GREEN	86.36	17	1-282815-7
	GREEN	81.28	16	1-282815-6
	GREEN	76.20	15	1-282815-5
	GREEN	71.12	14	1-282815-4
	GREEN	66.04	13	1-282815-3
	GREEN	60.96	12	1-282815-2
	GREEN	55.88	11	1-282815-1
	GREEN	50.80	10	1-282815-0
	GREEN	45.72	9	282815-9
	GREEN	40.64	8	282815-8
	GREEN	35.56	7	282815-7
	GREEN	30.48	6	282815-6
	GREEN	25.40	5	282815-5
	GREEN	20.32	4	282815-4
	GREEN	15.24	3	282815-3
	GREEN	10.16	2	282815-2



RECOMMENDED PC BOARD LAYOUT



THIS DRAWING IS A CONTROLLED DOCUMENT.

DIMENSIONS: mm	TOLERANCES UNLESS OTHERWISE SPECIFIED: 0 PLC ±0.3 1 PLC ±0.3 2 PLC ±0.25 3 PLC ±0.25 4 PLC ±0.25 ANGLES ±2	DWN E. ZANOLINI 25JUL2001
MATERIAL SEE NOTES	FINISH SEE NOTES	CHK D. BIEVENOUR 25JUL2001
		APVD D. BIEVENOUR 25JUL2001
		PRODUCT SPEC 108-20166
		APPLICATION SPEC 114-20079
		WEIGHT -
		CUSTOMER DRAWING

STE TE Connectivity

NAME
TERMINAL BLOCK HEADER ASSEMBLY
90 DEGREE OPEN ENDS, STACKING
5.08mm PITCH

SIZE A3	CAGE CODE 00779	DRAWING NO C-282815	RESTRICTED TO
------------	--------------------	------------------------	---------------

SCALE 3:1 SHEET 1 OF 2 REV C4


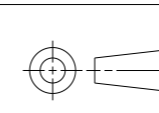
REVISIONS

P	LTR	DESCRIPTION	DATE	DWN	APVD
	-	SEE SHEET 1	-	-	-

NOTES:

- MATERIALS AND FINISH
HOUSING: PA 6-6, UL 94-V0.
TERMINAL: BRASS, TIN PLATED.
- MECHANICAL
MAX. INSERTION FORCE PER POLE : 3.0 N
MIN. WITHDRAWAL FORCE PER POLE : 1.5 N
MIN. PC BOARD HOLES DIAMETER : 1.4 mm
MAX. PC BOARD THICKNESS : 2.4 mm
- ELECTRICAL
WIRE RANGE : 12-30 AWG
MAX. VOLTAGE : 300 V
MAX CURRENT : 15 A
CONTACT RESISTANCE : <15 m Ohm
INSULATION RESISTANCE : >1000 M Ohm (500V DC)
- END-TO-END STACKABLE WITHOUT LOSS OF CENTERLINE SPACING.
- RECOGNIZED UNDER THE COMPONENT PROGRAM OF UNDERWRITERS LABORATORIES INC. FILE NO E60677.
- OPERATING TEMPERATURE RANGE: -40°C TO +110°C

 NOT CUMULATIVE TOLERANCE.

THIS DRAWING IS A CONTROLLED DOCUMENT.		DWN E. ZANOLINI 25 JUL 2001	 TE Connectivity													
DIMENSIONS: mm		CHK D. BIEVENOUR 25 JUL 2001														
TOLERANCES UNLESS OTHERWISE SPECIFIED:		APVD D. BIEVENOUR 25 JUL 2001	NAME TERMINAL BLOCK HEADER ASSEMBLY 90 DEGREE OPEN ENDS, STACKING 5.08mm PITCH													
 <table border="1"> <tr><td>0 PLC</td><td>±-</td></tr> <tr><td>1 PLC</td><td>±.2</td></tr> <tr><td>2 PLC</td><td>±.25</td></tr> <tr><td>3 PLC</td><td>±-</td></tr> <tr><td>4 PLC</td><td>±-</td></tr> <tr><td>ANGLES</td><td>±2</td></tr> </table>		0 PLC	±-	1 PLC	±.2	2 PLC	±.25	3 PLC	±-	4 PLC	±-	ANGLES	±2	PRODUCT SPEC 108-20166	RESTRICTED TO	
0 PLC	±-															
1 PLC	±.2															
2 PLC	±.25															
3 PLC	±-															
4 PLC	±-															
ANGLES	±2															
MATERIAL SEE NOTES		APPLICATION SPEC 114-20079	SIZE A3	CAGE CODE 00779	DRAWING NO C-282815											
FINISH SEE NOTES		WEIGHT -	SCALE 3:1		SHEET 2 OF 2											
		CUSTOMER DRAWING	REV C4													