



C4 | SERIES INPUT MODULES

I/O MODULES



Features

- Plug into mounting boards for C4 Series modules
- AC Inputs (Yellow Case)
- DC Inputs (White Case)
- 4kV Optical isolation
- Open-collector Output
- Industry standard packaging
- Built-in LED Status Indicator



SPECIFICATIONS ¹

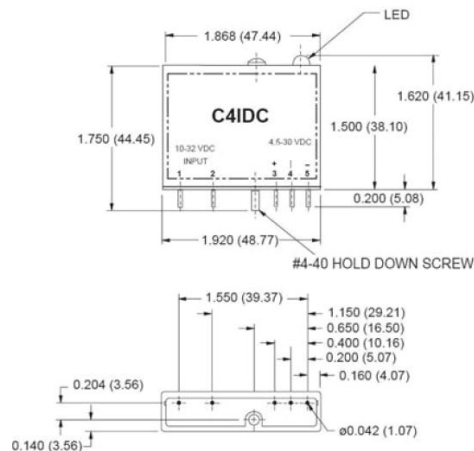
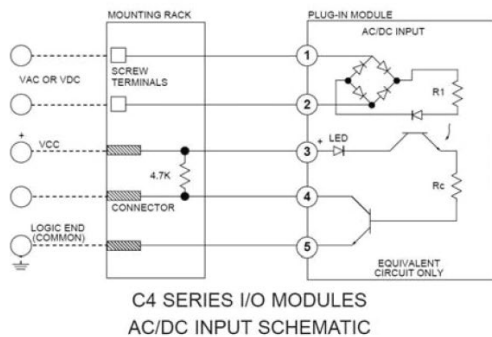
Part Number	C4IAC	C4IACA	C4IDC
Input			
Voltage Range	90-140 VAC	180-280 VAC	10-32 VDC
Maximum Current [mA] ²	14	5	20
Resistance [Ohms] ^{3,4}	22 k	75 k	2 k
Drop-out Current [mA] ⁵	3	1	1.5
Allowable Voltage for No Output [VAC/VDC] ⁶	50	50	3.0
Allowable Current for No Output [mA] ⁶	2.5	0.7	1.0
Output			
Maximum Logic Supply Voltage[VDC]	30	30	30
Maximum Output Voltage Drop [VDC] ⁷	0.2	0.2	0.2
Minimum Logic Supply Voltage [VDC]	4.5	4.5	4.5
Logic Supply Voltage Range [VDC]	4.5-30	4.5-30	4.5-30
Maximum Current [mA] ⁸	50	50	50
Maximum Logic Supply Current [mA] ⁹	25.0	25.0	25.0
Maximum Logic Supply Leakage Current [μ A] ¹⁰	10.0	10.0	10.0
Maximum Supply Idle Current [μ A] ¹¹	10.0	10.0	10.0
Maximum Turn-On Time [msec] ¹²	20	20	5.0
Maximum Turn-Off Time [msec] ¹²	20	20	5.0

Part Number	C4IDCB	C4IDCG	C4IDCK
Input			
Voltage Range	4-16 VDC	35-60 VDC	2.5-16 VDC
Maximum Current [mA] ²	40	10	60
Resistance [Ohms] ^{3,4}	400	10 k	300
Drop-out Current [mA] ⁵	2	1	2
Allowable Voltage for No Output [VAC/VDC] ⁶	1	7	1
Allowable Current for No Output [mA] ⁶	0.7	0.7	0.2
Output			
Maximum Logic Supply Voltage[VDC]	30	30	30
Maximum Output Voltage Drop [VDC] ⁷	0.2	0.2	0.2
Minimum Logic Supply Voltage [VDC]	4.5	4.5	4.5
Logic Supply Voltage Range [VDC]	4.5-30	4.5-30	4.5-30
Maximum Current [mA] ⁸	50	50	50
Maximum Logic Supply Current [mA] ⁹	25.0	25.0	25.0
Maximum Logic Supply Leakage Current [μ A] ¹⁰	10.0	10.0	10.0
Maximum Supply Idle Current [μ A] ¹¹	10.0	10.0	10.0
Maximum Turn-On Time [msec] ¹²	0.05	10.0	0.025
Maximum Turn-Off Time [msec] ¹²	0.1	10.0	0.025

GENERAL SPECIFICATIONS

Description	Parameters
Input/Output Isolation Voltage ¹³	4000 Vrms
Input/Output Capacitance	8 pF
Operating Temperature Range	-30°C to 80°C
Storage Temperature Range	-40°C to 100°C
Weight	1.1 oz. (31.2g)

EQUIVALENT CIRCUIT DIAGRAM / MECHANICAL SPECIFICATIONS



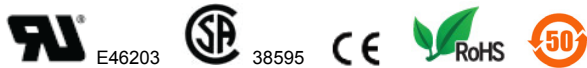


GENERAL NOTES

- (1) Specifications apply to an ambient temperature of -30 to 80 °C unless otherwise noted.
- (2) Measured at maximum specified input voltage, 25°C.
- (3) Resistance values for C4IAC modules are effective impedance values at 25 °C.
- (4) Resistance values are +/-10% at 25 °C.
- (5) Defined as the maximum current allowed through the module's input to guarantee that the output will switch from "on" to "off". Higher currents may result in the output remaining in the "on" state.
- (6) Defined as the maximum voltage/current allowed through the module's input that will not switch the module's output state from "off" to "on".
- (7) At maximum output current and 25°C
- (8) Maximum allowable sinking current through open collector output transistor
- (9) At maximum logic supply voltage and 25°C.
- (10) At maximum output voltage and 25°C.
- (11) At maximum specified logic voltage and 25°C.
- (12) At 15 VDC logic, 30 VDC output, 50 mA, 25°C and nominal input voltage.
- (13) At 25°C for 1 second maximum duration.



AGENCY APPROVALS & CERTIFICATIONS



WARNINGS



RISK OF MATERIAL DAMAGE AND HOT ENCLOSURE

- The product's side panels may be hot, allow the product to cool before touching
- Follow proper mounting instructions including torque values
- Do not allow liquids or foreign objects to enter this product

Failure to follow these instructions can result in serious injury, or equipment damage.



HAZARD OF ELECTRIC SHOCK, EXPLOSION OR ARC FLASH

- Disconnect all power before installing or working with this equipment
- Verify all connections and replace all covers before turning on power

Failure to follow these instructions will result in death or serious injury.

Sensata Technologies, Inc. ("Sensata") data sheets are solely intended to assist designers ("Buyers") who are developing systems that incorporate Sensata products (also referred to herein as "components"). Buyer understands and agrees that Buyer remains responsible for using its independent analysis, evaluation and judgment in designing Buyer's systems and products. Sensata data sheets have been created using standard laboratory conditions and engineering practices. Sensata has not conducted any testing other than that specifically described in the published documentation for a particular data sheet. Sensata may make corrections, enhancements, improvements and other changes to its data sheets or components without notice.

Buyers are authorized to use Sensata data sheets with the Sensata component(s) identified in each particular data sheet. HOWEVER, NO OTHER LICENSE, EXPRESS OR IMPLIED, BY ESTOPPEL OR OTHERWISE TO ANY OTHER SENSATA INTELLECTUAL PROPERTY RIGHT, AND NO LICENSE TO ANY THIRD PARTY TECHNOLOGY OR INTELLECTUAL PROPERTY RIGHT, IS GRANTED HEREIN. SENSATA DATA SHEETS ARE PROVIDED "AS IS". SENSATA MAKES NO WARRANTIES OR REPRESENTATIONS WITH REGARD TO THE DATA SHEETS OR USE OF THE DATA SHEETS, EXPRESS, IMPLIED OR STATUTORY, INCLUDING ACCURACY OR COMPLETENESS. SENSATA DISCLAIMS ANY WARRANTY OF TITLE AND ANY IMPLIED WARRANTIES OF MERCHANTABILITY, FITNESS FOR A PARTICULAR PURPOSE, QUIET ENJOYMENT, QUIET POSSESSION, AND NON-INFRINGEMENT OF ANY THIRD PARTY INTELLECTUAL PROPERTY RIGHTS WITH REGARD TO SENSATA DATA SHEETS OR USE THEREOF.

All products are sold subject to Sensata's terms and conditions of sale supplied at www.sensata.com SENSATA ASSUMES NO LIABILITY FOR APPLICATIONS ASSISTANCE OR THE DESIGN OF BUYERS' PRODUCTS. BUYER ACKNOWLEDGES AND AGREES THAT IT IS SOLELY RESPONSIBLE FOR COMPLIANCE WITH ALL LEGAL, REGULATORY AND SAFETY-RELATED REQUIREMENTS CONCERNING ITS PRODUCTS, AND ANY USE OF SENSATA COMPONENTS IN ITS APPLICATIONS, NOTWITHSTANDING ANY APPLICATIONS-RELATED INFORMATION OR SUPPORT THAT MAY BE PROVIDED BY SENSATA.

Mailing Address: Sensata Technologies, Inc., 529 Pleasant Street, Attleboro, MA 02703, USA.

CONTACT US

Americas

+1 (877) 502 5500
sales.crydom@sensata.com
Europe, Middle East & Africa
+44 (1202) 416170
ssr-info.eu@sensata.com

Asia Pacific

sales.isasia@list.sensata.com
China +86 (21) 2306 1500
Japan +81 (45) 277 7117
Korea +82 (31) 601 2004
India +91 (80) 67920890
Rest of Asia +886 (2) 27602006
ext 2808