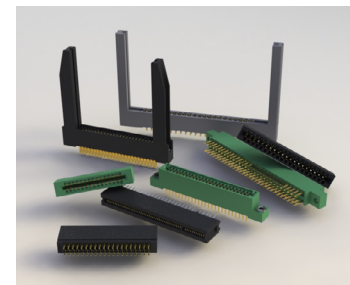


## Card Edge Connector 0.156" (3.96mm) Pitch

### Features:

- 0.156" (3.96mm) contact spacing x 0.200" (5.08mm) row spacing
- Accepts 0.062" (1.57mm) nominal thickness P.C. board
- Low profile insulator body, 0.473" (12.01mm)
- Contact termination 0.045" (1.14mm) square wire wrap
- Single or dual row configurations
- Large variety of mounting options
- Pre-assembled card guides available
- Accepts between contact and in-contact polarizing keys
- RoHS Compliant



### Specifications:

|                                 |   |
|---------------------------------|---|
| Insulator Material              | UL 94V-0 DAP(Diallyl Phthalate), Green Color  |
| Contact Material                | Copper Alloy  |
| Contact Plating                 | Gold plating all over with Nickel underplating                                      |
| Current Rating                  | 5 amps  |
| Contact Resistance              | 10 milliohms maximum  |
| Dielectric Withstanding Voltage | 1800 V AC rms at sea level between adjacent contacts                                |
| Insulation Resistance           | 5000 megaohms minimum   |
| Operating Temperature           | -65°C to +125°C   |
| Insertion Force                 | 16 oz (4.45 N) maximum per contact pair when tested with .070" (1.78mm) thick gauge |
| Withdrawal Force                | 1 oz (0.28 N) minimum per contact pair when tested with .054" (1.37mm) thick gauge  |

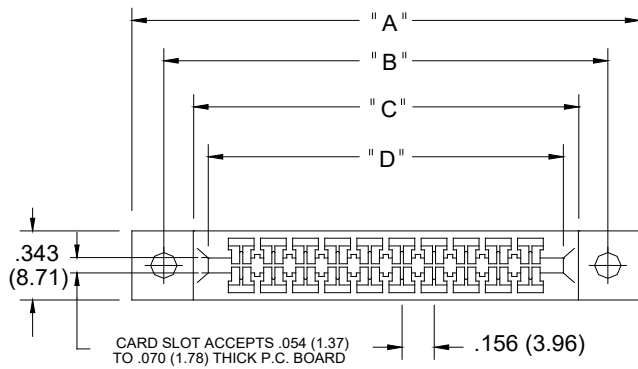
Example Part Number: **338-044-541-208**



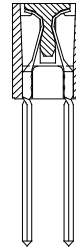
|                                  |  |                           |                         |
|----------------------------------|--|---------------------------|-------------------------|
| <b>Series:</b>                   | 338                                    |                           |                         |
| <b>Total Number of Contacts:</b> | <b>Contact Rows:</b>                   |                           |                         |
| 010, 015, 018, 022 or 028        | Single Row                             |                           |                         |
| 020, 030, 036, 044 or 056        | Dual Row                               |                           |                         |
| <b>Contact Code:</b>             | <b>Tail Description:</b>               | <b>Tail Size:</b>         | <b>Tail Length "G":</b> |
| 541                              | Wire Wrap                              | .045 Square (1.14 Square) | .730 (18.54)            |
| <b>Contact Rows:</b>             | <b>Description:</b>                    |                           |                         |
| 1                                | Single Row                             |                           |                         |
| 2                                | Dual Row                               |                           |                         |
| <b>Mounting Options:</b>         | <b>Description:</b>                    |                           |                         |
| 01                               | No Mounting Lug                        |                           |                         |
| 02                               | Ø.128" (Ø3.25mm) Mounting Holes        |                           |                         |
| 03                               | Ø.116" (Ø2.95mm) I.D. Floating Eyelets |                           |                         |
| 04                               | Ø.156" (Ø3.96mm) Mounting Holes        |                           |                         |
| 07                               | M3-0.5 Metric Threaded Inserts         |                           |                         |
| 08                               | #4-40 Unified Threaded Inserts         |                           |                         |
| 58                               | .468" (11.89mm) Offset Card Guides     |                           |                         |
| 68                               | .344 (8.74) Offset Card Guides         |                           |                         |
| 78                               | In-Line Card Guides                    |                           |                         |

**Ordering Code Notes:**  
For details of the mounting options refer to page 3.

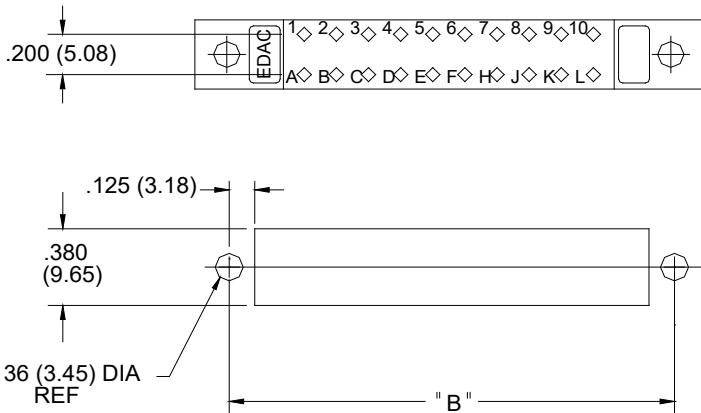
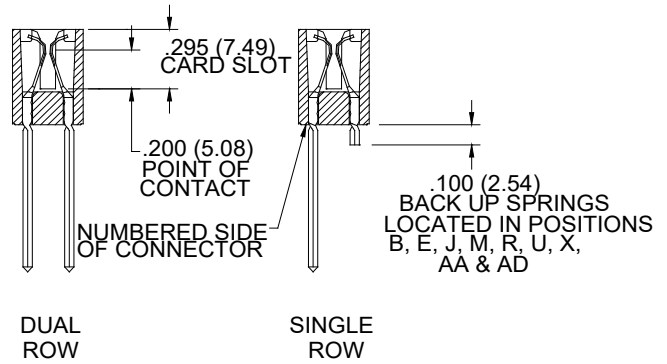
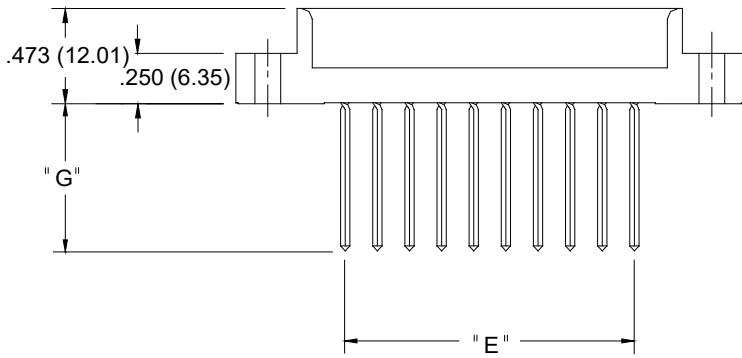
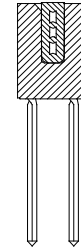
## Card Edge Connectors 0.156" (3.96mm) Pitch



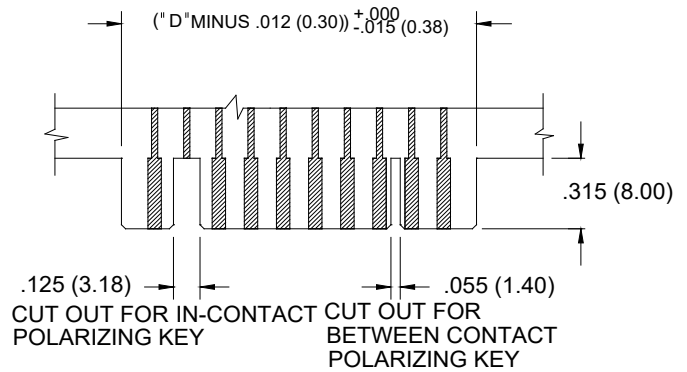
IN-CONTACT  
POLARIZING KEY  
P/N 338-240-328



BETWEEN CONTACT  
POLARIZING KEY  
P/N 306-240-318



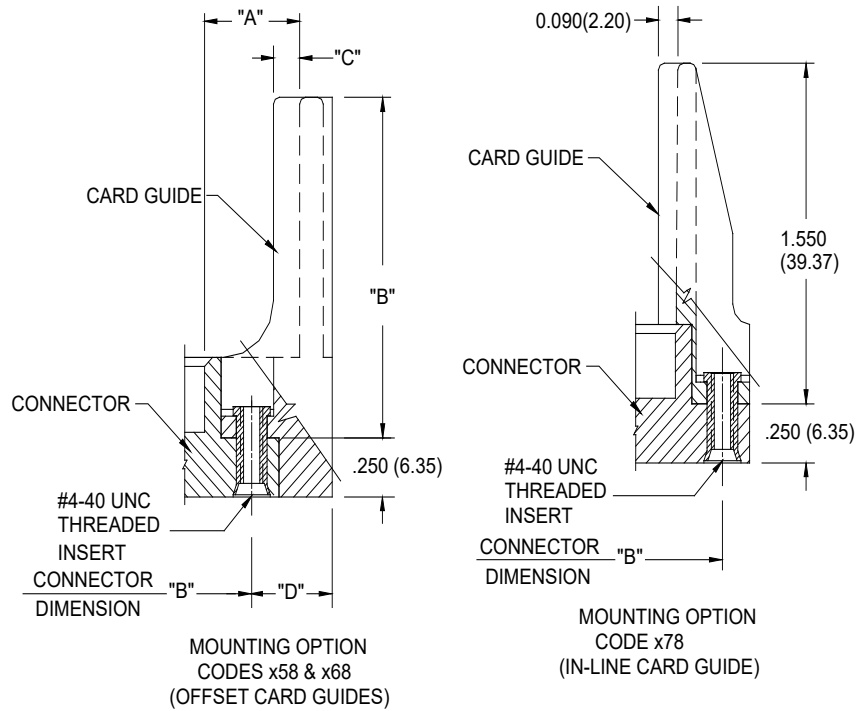
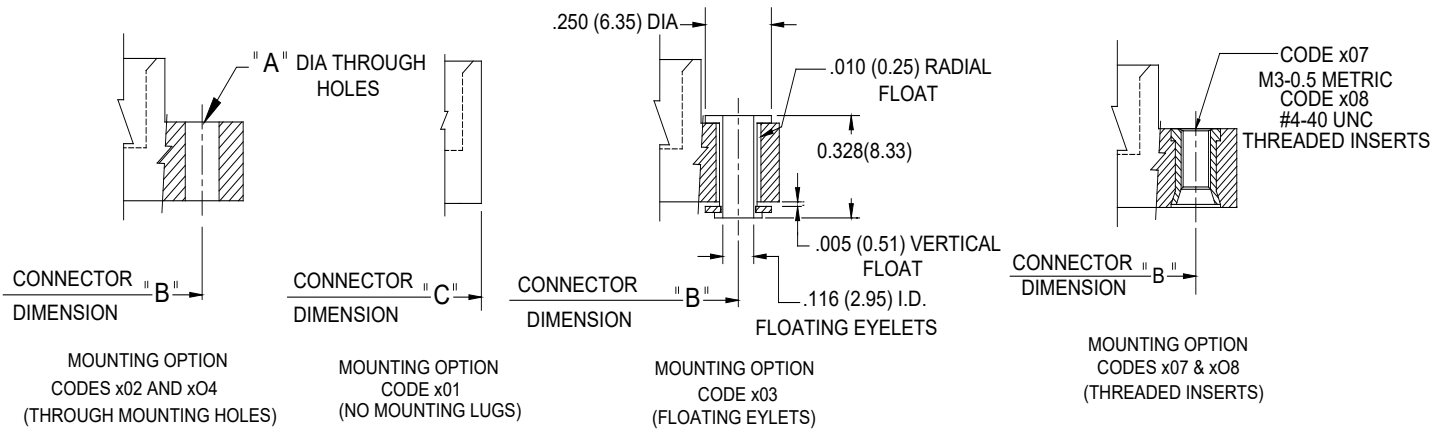
CONNECTOR MOUNTING PATTERN  
PANEL MOUNT CUT OUT



RECOMMENDED DAUGHTER BOARD

| NUMBER OF CONTACTS |        | "A"   |        | "B"   |        | "C"   |        | "D"   |        | "E"   |        |
|--------------------|--------|-------|--------|-------|--------|-------|--------|-------|--------|-------|--------|
| Single             | Double | Inch  | mm     | Inch  | mm     | Inch  | mm     | Inch  | mm     | Inch  | mm     |
| 10                 | 20     | 2.466 | 62.64  | 2.156 | 54.76  | 1.870 | 47.50  | 1.724 | 43.79  | 1.404 | 35.66  |
| 15                 | 30     | 3.246 | 82.45  | 2.936 | 74.57  | 2.650 | 67.31  | 2.504 | 63.60  | 2.184 | 55.47  |
| 18                 | 36     | 3.714 | 94.34  | 3.404 | 86.46  | 3.118 | 79.20  | 2.972 | 75.49  | 2.652 | 67.36  |
| 22                 | 44     | 4.338 | 110.19 | 4.028 | 102.31 | 3.742 | 95.05  | 3.596 | 91.34  | 3.276 | 83.21  |
| 28                 | 56     | 5.274 | 133.96 | 4.964 | 126.09 | 4.678 | 118.82 | 4.532 | 115.11 | 4.212 | 106.98 |

## Card Edge Connectors 0.156" (3.96mm) Pitch



| CODE X02 AND X04- THROUGH MTG. HOLES |                |             | CODES X58 AND X68- OFFSET CARD GUIDES |              |              |
|--------------------------------------|----------------|-------------|---------------------------------------|--------------|--------------|
|                                      | CODE X02       | CODE X04    |                                       | CODE X58     | CODE X68     |
| "A" DIA.                             | 0.128(3.25)    | 0.156(3.96) | "A"                                   | 0.468(11.89) | 0.344(8.74)  |
| CODE X07 AND X08- THREADED INSERTS   |                |             | "B"                                   | 2.755(69.98) | 2.505(63.63) |
|                                      | CODE X07       | CODE X08    | "C"                                   | 0.125(3.18)  | 0.060(1.52)  |
| INSERT                               | M3-0.5(METRIC) | #4-40 UNC   | "D"                                   | 0.423(10.74) | 0.242(6.15)  |