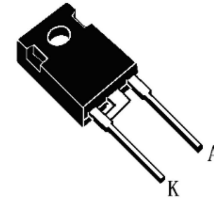


Features

- Low power loss, high efficiency
- High reliability
- RoHS product


TO-247L

Applications

- Switch power supply
- Snubber diode
- Anti-parallel Diode for high frequency Switching devices
- UPS



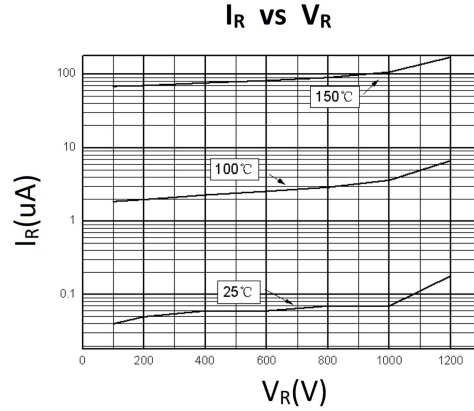
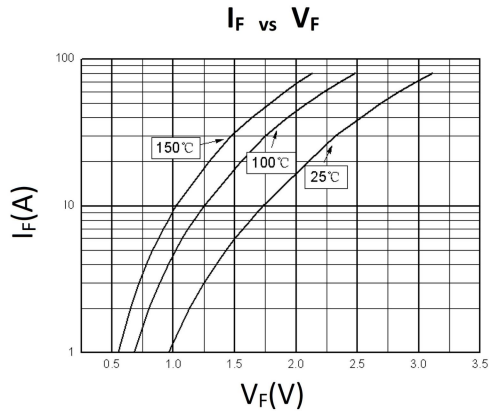
Absolute Maximum Ratings($T_c=25^\circ\text{C}$)

Parameter	Symbol	Test Conditions	Values	Unit
Repetitive Peak Reverse Voltage	V_{RRM}		1350	V
Average Output Current	$I_{F(AV)}$	$T_c=100^\circ\text{C}$	75	A
Peak one Cycle Surge Forward Current	I_{FSM}	Sine wave 10ms	480	A
power dissipation	P_D		375	W
Junction Temperature	T_J		-50 ~ 150	°C
Storage Temperature Range	T_{STG}		-50 ~ 150	
Thermal Resistance	$R_{\theta JC}$	Junction-to-Case	0.4	°C/W

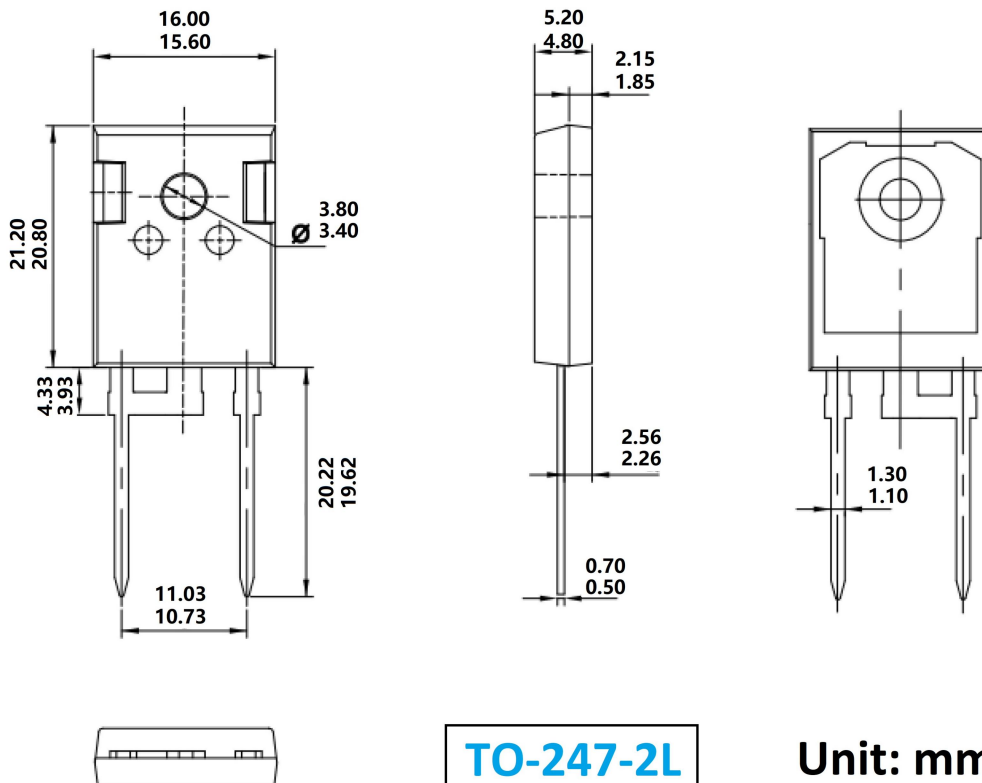
Electrical Characteristics($T_c=25^\circ\text{C}$ unless otherwise specified)

Parameter	Symbol	Test Conditions	Min.	Typ.	Max.	Unit	
Reverse Current	I_{RRM}	$V_R=V_{RRM}$	$T_j=25^\circ\text{C}$	-	-	200	μA
			$T_j=125^\circ\text{C}$	-	-	1	mA
Forward Voltage Drop	V_{FM}	$I_{FM}=75.0\text{A}$	$T_j=25^\circ\text{C}$	-	3.0	3.5	V
			$T_j=125^\circ\text{C}$	-	2.2	2.7	V
Reverse Recovery Time	t_{rr}	$I_F=1\text{A}, V_R=30\text{V}$ $di_F/dt=-200\text{A}/\mu\text{s}$	-	45	90	ns	

Electrical characteristics(Curves)



Package outline dimension



TO-247-2L

Unit: mm