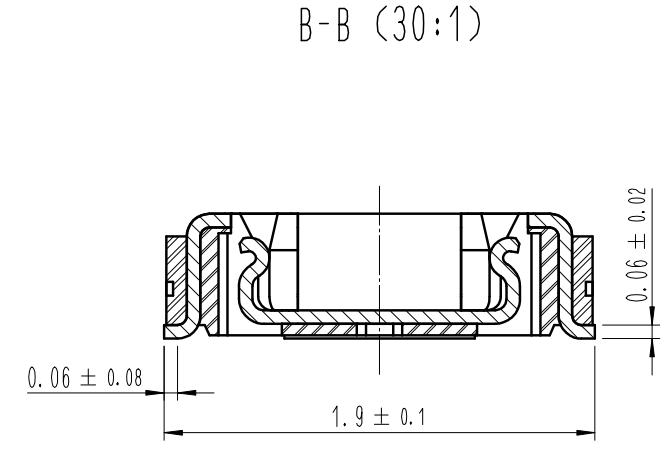
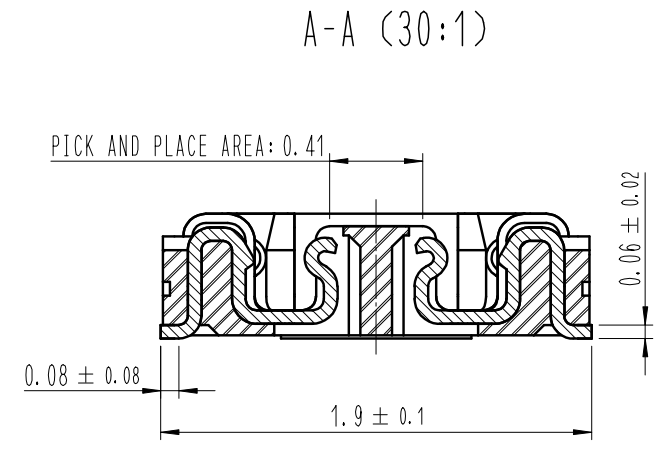
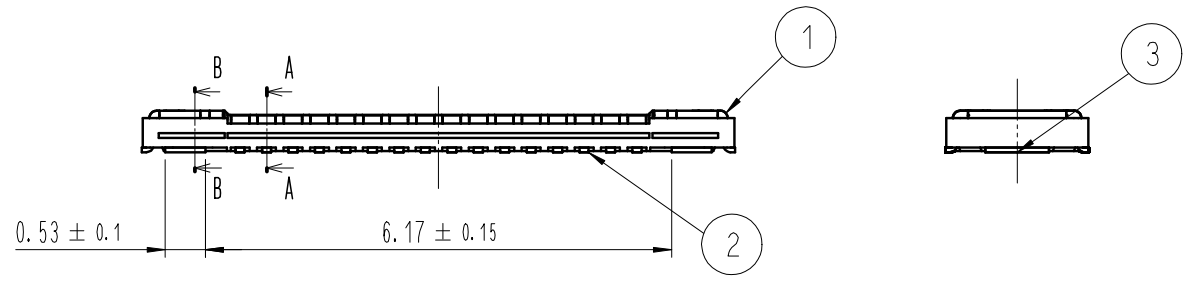
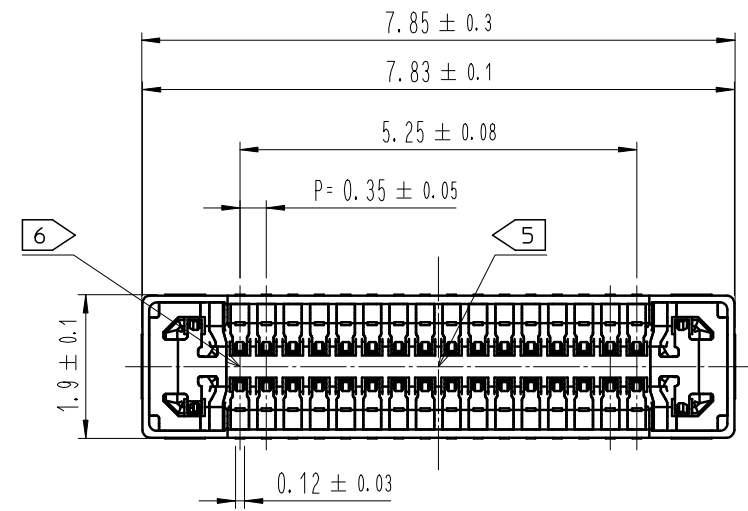
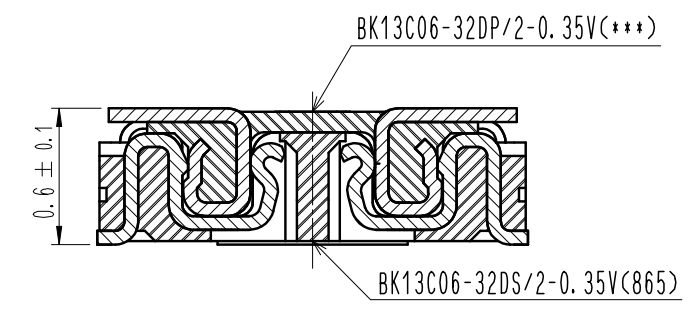


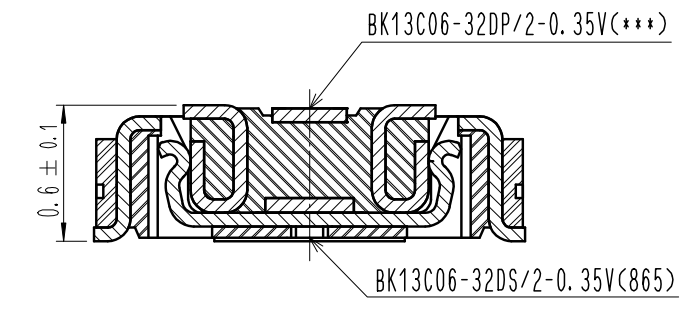
5		6			7			8		
△數	訂正事項	擔當	檢圖	年月日	△數	訂正事項	擔當	檢圖	年月日	
COUNT	DESCRIPTION OF REVISIONS	B	Y	CHKD	DATE	DESCRIPTION OF REVISIONS	B	Y	CHKD	DATE
△										
△										
△										



ENGAGEMENT FIGURE (30:1)



SIGNAL CONTACT



POWER CONTACT

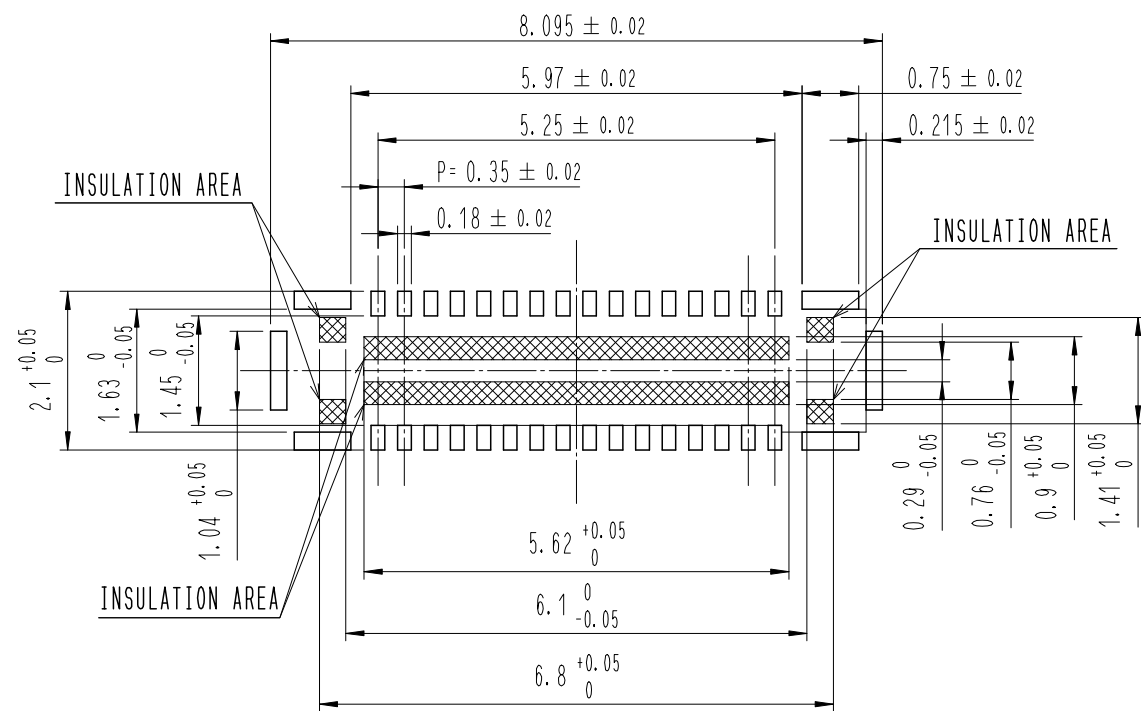
- NOTE
- ① CONTACT PLATING SPECIFICATIONS
CONTACT AREA : GOLD 0.1 μm MIN , Ni 2.0~7.6 μm
SMT LEAD AREA : GOLD 0.076~0.2 μm , Ni 2.0~7.6 μm
(SURFACE : SEALING)
 - ② PRODUCT COLOR : BLACK
 - ③ MANUFACTURING PROCESS : INSERT MOLDING
 - ④ USING OF RE-GRINDED MATERIAL IS NOT ALLOWED IN THIS PRODUCT.
 - ⑤ LOT NO. ARE INDICATED.
 - ⑥ HRS MARK AND CAV No. ARE INDICATED IN APPROX POSITION SHOWN.

NO.	MATERIAL	FINISH , REMARKS	NO.	MATERIAL	FINISH , REMARKS
4	PS	CLEAR (EMBOSSED CARRIER TAPE)	7	PS	CLEAR (REINFORCEMENT COLLAR)
3	COPPER ALLOY	①	6	PS	BLACK (PLASTIC REEL)
2	COPPER ALLOY	①	5	POLYESTER	CLEAR (COVER TAPE)
1	LCP	UL94 V-0, BLACK			

REMARKS					DRAWN	DESIGNED	CHECKED	APPROVED	RELEASED
					S. H. JUNG	S. H. JUNG	H. W. JO	H. W. JO	18.12.10
					18.12.10	18.12.10	18.12.10	18.12.10	

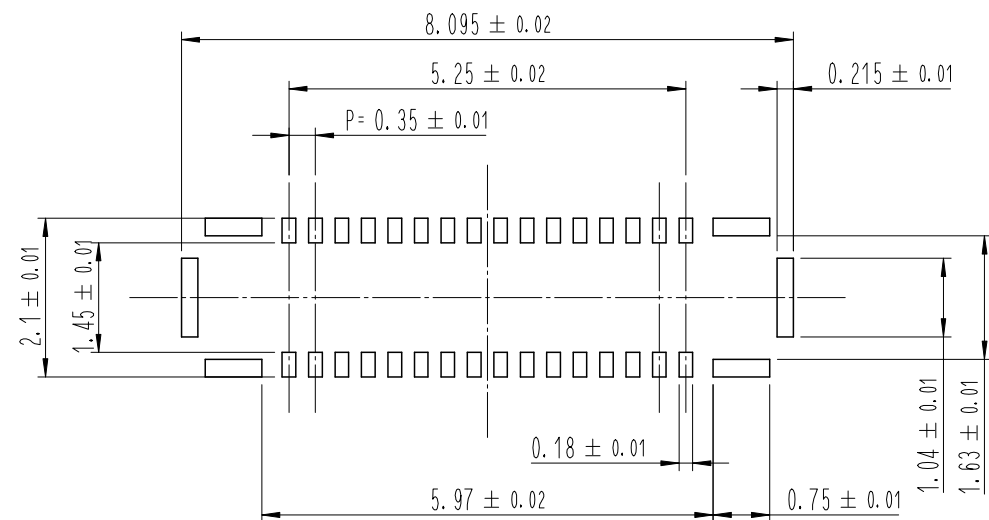
HUAWEI CODE NO.	14241510	DRAWING NO.	EDC3-632633-65	PART NO.	BK13C06-32DS/2-0.35V(865)
SCALE	10:1	UNITS	mm	CODE NO.	CL 6665-0002-0-865
HRS HIROSE KOREA CO., LTD.					1/3

7 RECOMMENDED PCB LAYOUT

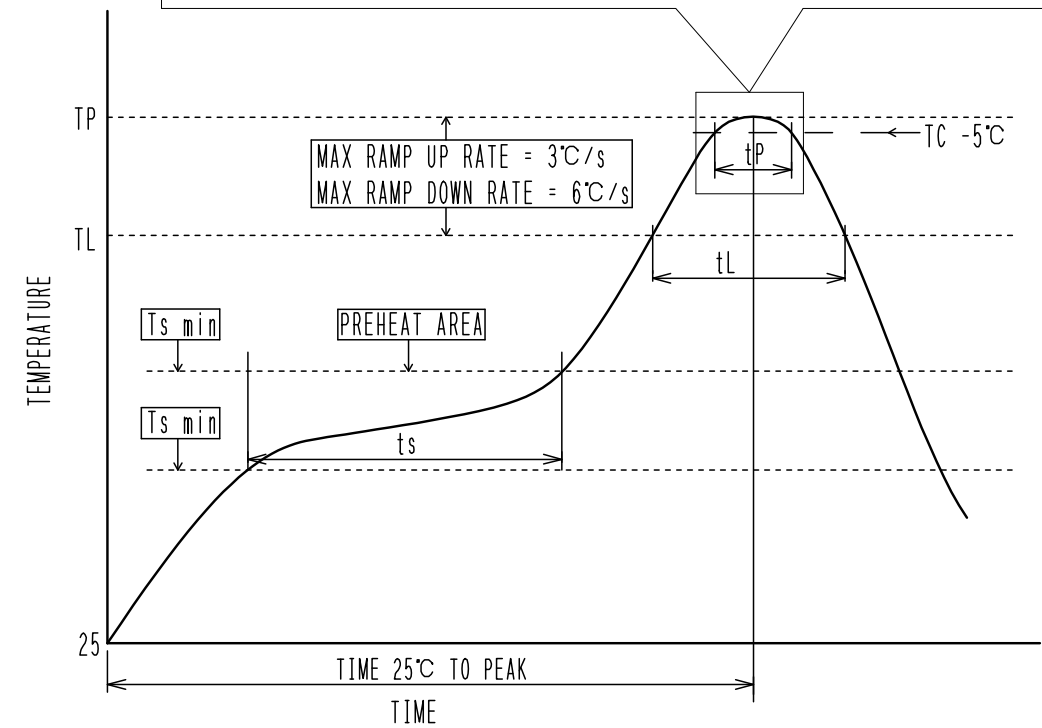
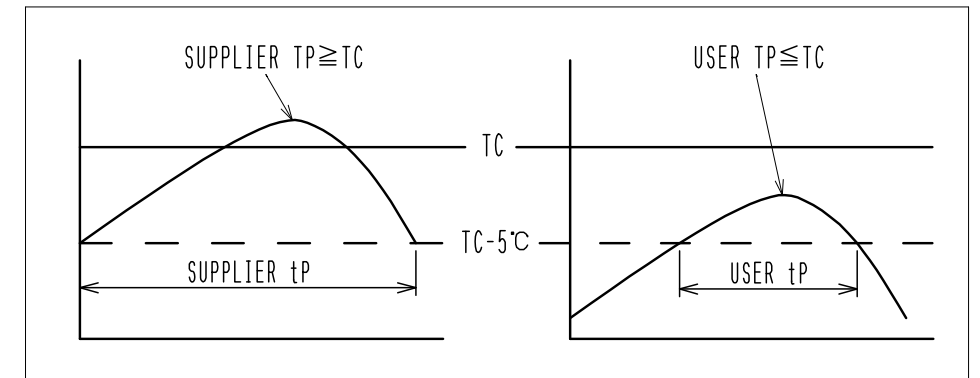


RECOMMENDED METAL MASK DIMENSIONS

METAL MASK THICKNESS : 80 μm



RECOMMENDED REFLOW TEMPERATURE PROFILE USING LEAD-FREE SOLDER PASTE.



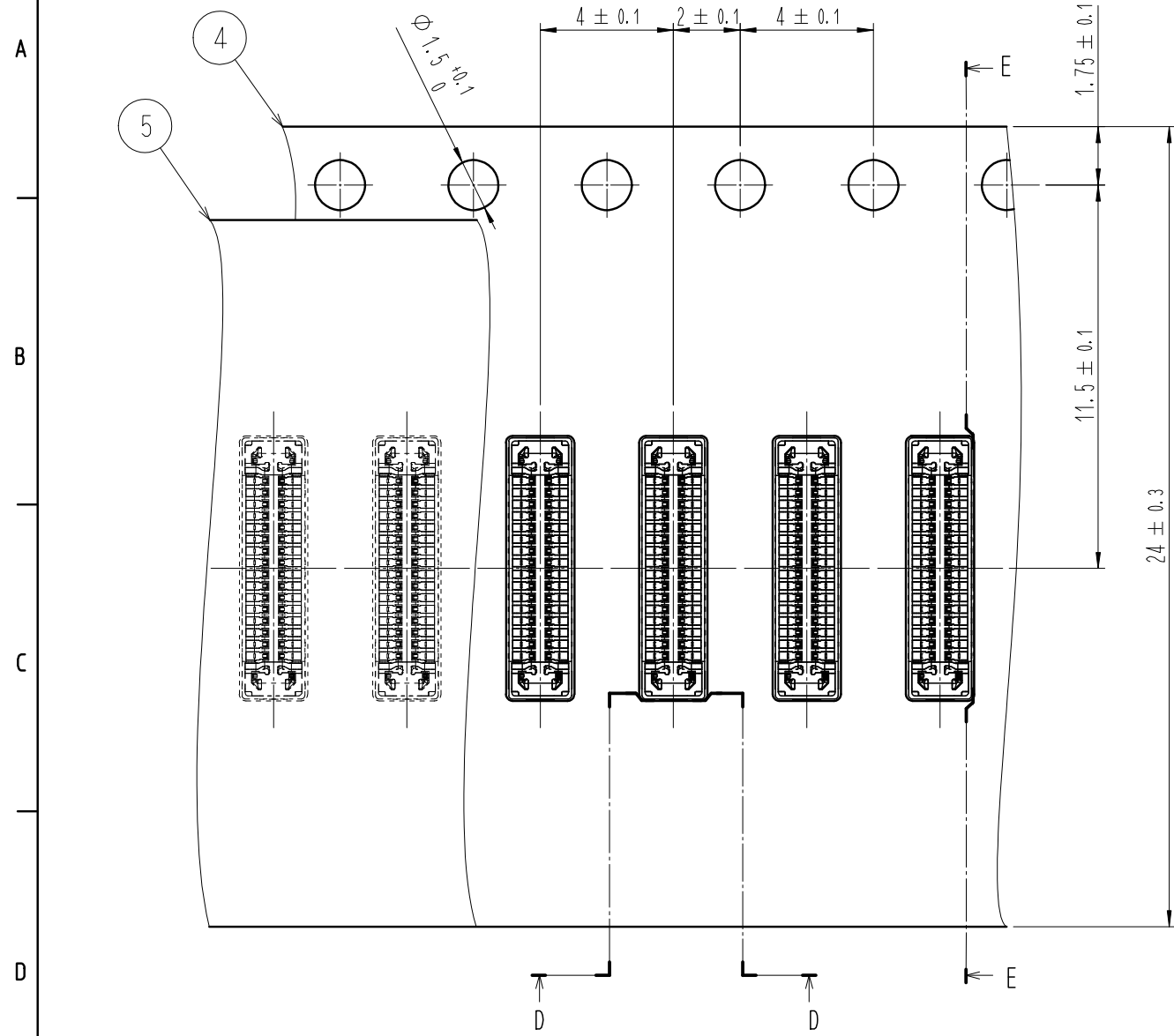
- ITEM : TYPICAL
- PRE-HEATING(150°C to 200°C) : 100~120s
- TEMPERATURE RISE SPEED(TL~TP) : MAX 3°C/s
- REFLOW TIME(217°C) : 100~150s
- MINIMUM PEAK TEMPERATURE : 255°C
- TIME WITH TEMPERATURE HIGHER THAN 250°C : MIN 30s
- COOL DOWN SPEED(TP~TL) : MAX -6°C/s
- TIME 25°C TO TP : MAX 8min

7 PLEASE CONTACT US IN CASE YOU WILL MAKE DIFFERENT SETTINGS FROM OUR RECOMMENDATION.

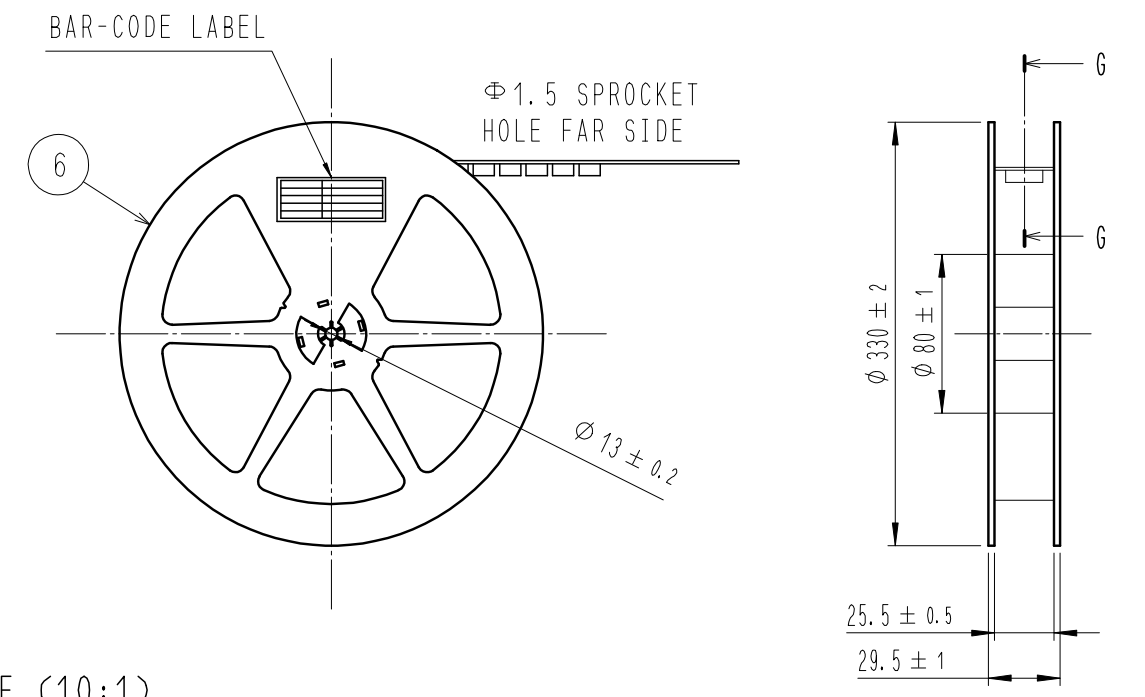
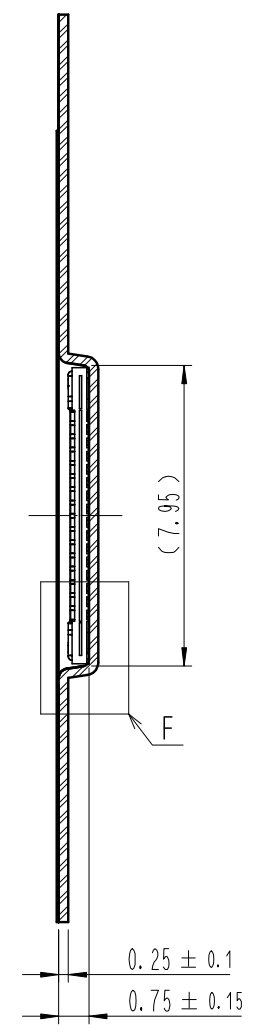
 SCALE 10:1 UNITS mm	DRAWING NO. EDC3-632633-65	PART NO. BK13C06-32DS/2-0.35V(865)
	HIROSE KOREA CO., LTD.	CODE NO. CL 6665-0002-0-865

EMBOSSED CARRIER TAPE PACKAGING (5:1)

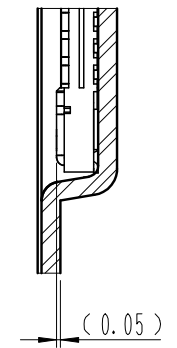
STYLE AND DIMENSION OF REEL (FREE)



E-E (5:1)



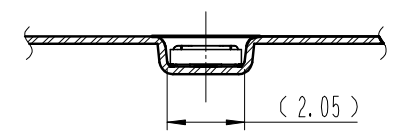
F (10:1)



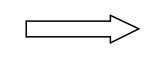
Display notes are as follows

(P) Customer P/N: 14241510	◆◆◆◆◆◆◆◆◆◆
(1P) Manufacture P/N: BK13C06-32DS/2-0.35V(865)	◆◆◆◆◆◆◆◆◆◆
(Q): 10,000	Manufacture : HIROSE KOREA CO.,LTD
	Vendor : HIROSE KOREA CO.,LTD
(10D) Date Code: ****	◆◆◆◆◆◆◆◆◆◆
(4L) Country of origin: KOREA	◆◆◆◆◆◆◆◆◆◆
(1T) LOT No: *****-x-***	◆◆◆◆◆◆◆◆◆◆
LOT NO.	*****-***-***
CL CODE	CL 6665-0002-0-865
PART NO	BK13C06-32DS/2-0.35V(865)
Q'TY	10,000pcs
Hirose Korea Co., Ltd.	
◆◆◆◆◆◆◆◆◆◆ RoHS H/F	

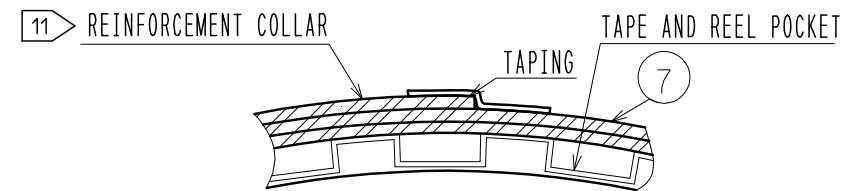
D-D (5:1)



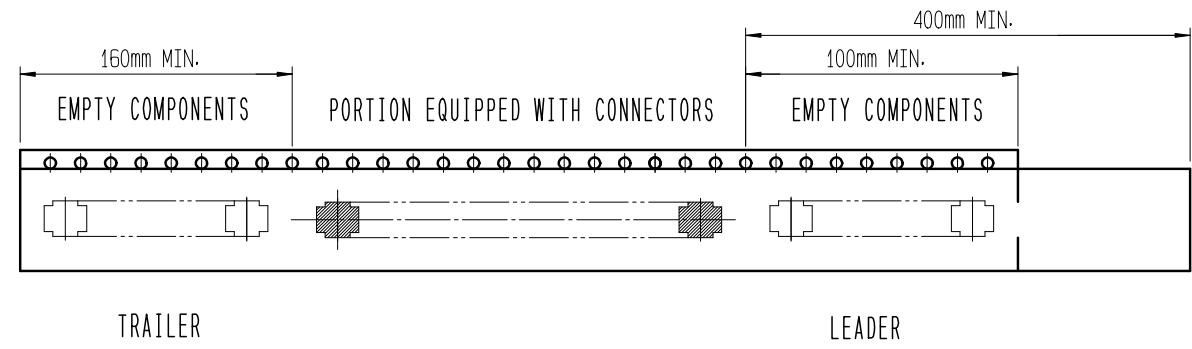
DIRECTION OF UNREELING



G-G (FREE)



TAPING(FREE)



- 8 . PER REEL 10,000 CONNECTORS.
- 9 . THE DIMENSIONS IN PARENTHESES ARE FOR REFERENCE.
- 10 . REFER TO JIS C 0806, IEC-60286-3 (PACKAGING OF COMPONENTS FOR AUTOMATIC HANDLING)
- 11 . AFTER PACKAGING, ROLL 2 METERS OF THE REINFORCEMENT COLLAR TO OUTER CIRCUMFERENCE OF TAPE AND REEL POCKET. AND TAPE DOWN AT THE END THE COLLAR

DRAWING NO. EDC3-632633-65	PART NO. BK13C06-32DS/2-0.35V(865)	CODE NO. CL 6665-0002-0-865	3/3