

D-Sub Connectors: Right Angle, 0.406" (10.30mm) Footprint

Features:

- Two contact rows with 0.406"(10.30mm) footprint, right angle bend
- 0.109"(2.77mm) contact spacing X 0.100"(2.54mm) row spacing
- Plug and receptacle in 9, 15, 25, or 37 contact sizes
- Pin and socket contact mating design with P.C. tail termination
- Metal shell provides EMI/RFI shielding, plug shell indents provide grounding and additional mating retention
- Board mounting features include two and three prong boardlock for exceptional retention to P.C. board
- Flange mounting options for panel mount or connector mating include through hole, threaded hole and threaded standoffs
- D-shaped connector mating outline provides polarization
- Design based on requirements of MIL-C-24038, EIA RS-232 and RS-449



Specifications:

| | |
|---------------------------------|---|
| Insulator Material | Thermoplastic Polyester, UL 94V-0, Chemical Resistant, Color: Black |
| Contact Material | Plug (Pins): Copper Alloy Receptacle (Socket): Copper Alloy |
| Contact Plating | Selective Gold (See Ordering Code) over Nickel for the Mating Area, Tin Plating for Tail Area |
| Shell Material | Nickel Plated Steel |
| Current Rating | 3 amps |
| Contact Resistance | 25 Milliohms maximum |
| Insulation Resistance | 5000 megaohms minimum |
| Dielectric Withstanding Voltage | 1000 V AC rms at Sea Level |
| Operating Temperature | -55°C To +85°C (upto +125°C for high temp) |
| Insertion Force | 16 oz (4.45 N) Maximum Per Contact Position |
| Withdrawal Force | 1 oz (0.28 N) Minimum Per Contact Position |

Ordering Code:

629-025-240-033

SERIES: _____
 629: PLUG (PIN)
 630: RECEPTACLE (SOCKET)

NO. OF CONTACTS: _____
 009 - 9 CONTACTS 025 - 25 CONTACTS
 015 - 15 CONTACTS 037 - 37 CONTACTS

CONTACT FINISH CODE: _____
 2 - GOLD FLASH PLATING
 3 - 15 MICROINCHES OF GOLD PLATING
 6 - 30 MICROINCHES OF GOLD PLATING

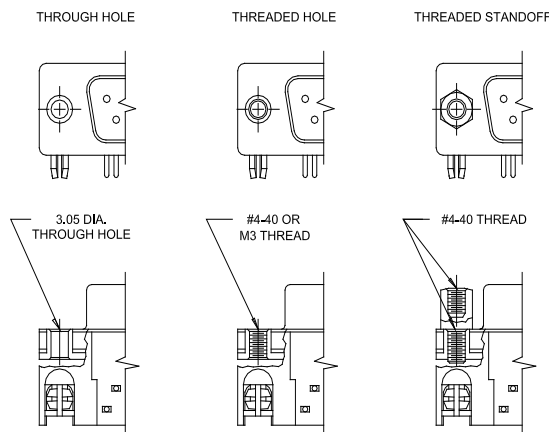
CONTACT CODE: _____
 40 - .406" FOOTPRINT POWER CONTACT

FLANGE MOUNTING OPTIONS:
 1 - Ø.120"(Ø3.05MM) THROUGH HOLE
 2 - #4-40 THREADED HOLE
 3 - #4-40 THREADED STANDOFF
 5 - M3 THREADED HOLE

BOARD MOUNTING FEATURE:
 1 - Ø.120"(Ø3.05MM) THROUGH HOLE
 3 - TWO PRONG BOARDLOCKS
 4 - THREE PRONG BOARDLOCKS

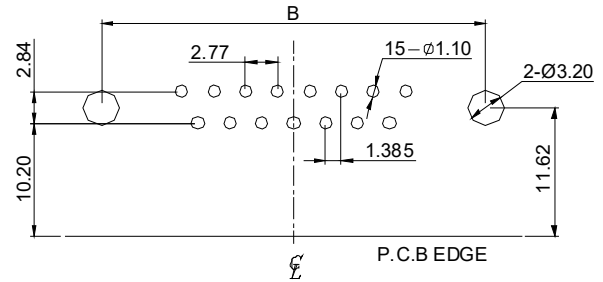
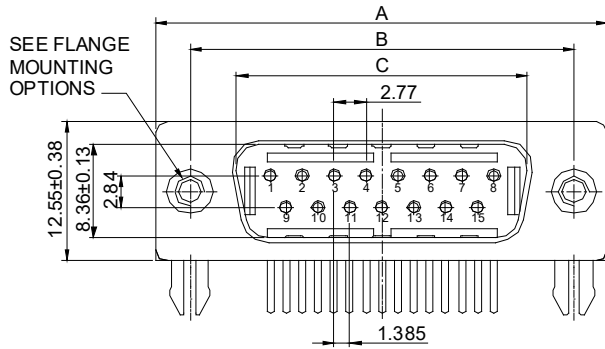
MATERIAL CODE:
 0 - STANDARD
 5 - HIGH TEMP INSULATOR

FLANGE MOUNTING OPTIONS

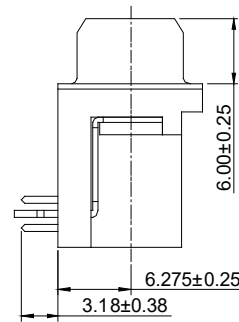
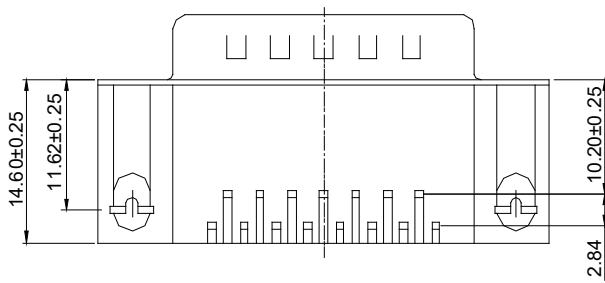


D-Sub Connectors: Right Angle, 0.406" (10.30mm) Footprint

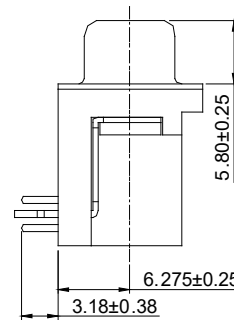
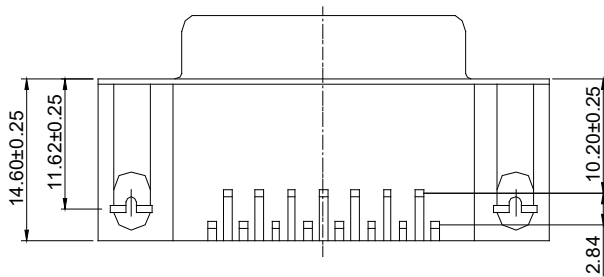
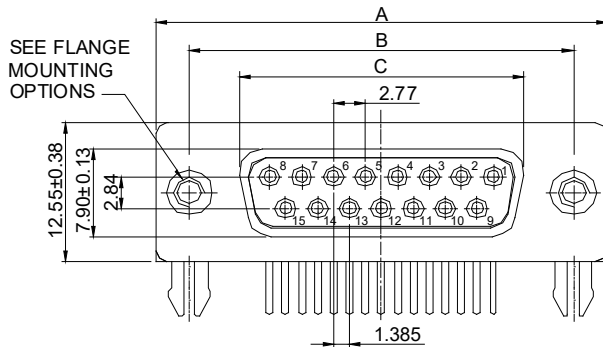
PLUG 629 SERIES



RECOMMENDED P.C.B LAYOUT
(FOR PLUG AND RECEPTACLE)



RECEPTACLE 630 SERIES



| NUMBER OF CONTACTS | A±0.38 | | B±0.25 | | C±0.13 PLUG | | C±0.13 RECEPTACLE | |
|--------------------|--------|---------|--------|---------|-------------|---------|-------------------|---------|
| | Inch | (mm) | Inch | (mm) | Inch | (mm) | Inch | (mm) |
| 9 | 1.213 | (30.81) | .984 | (24.99) | .666 | (16.92) | .643 | (16.33) |
| 15 | 1.543 | (39.19) | 1.312 | (33.32) | .994 | (25.25) | .971 | (24.66) |
| 25 | 2.088 | (53.04) | 1.852 | (47.04) | 1.534 | (38.96) | 1.511 | (38.38) |
| 37 | 2.729 | (69.32) | 2.500 | (63.50) | 2.182 | (55.42) | 2.159 | (54.84) |