

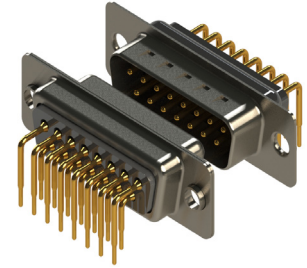
621M/622M SERIES



D-Sub Connectors: Right Angle, 0.283" (7.20mm) Footprint

Features:

- Two contact rows with 0.283" (7.20mm) footprint, right angle bend D-Sub with machined contacts
- 0.109" (2.77mm) contact spacing x 0.112" (2.84mm) row spacing
- Plug and receptacle in 9, 15, 25, 37 or 50 contact sizes
- Pin and socket contact mating design with P.C. tail termination
- Metal shell provides EMI/RFI shielding, plug shell indents provide grounding and additional mating retention
- Grounding features include brackets with four prong boardlock for exceptional retention to P.C. board
- Mounting options for panel mount or connector mating include through hole, threaded inserts and threaded standoffs
- Insulation housings are offered in different colors: black, white, green and blue
- D-shaped connector mating outline provides polarization



Specifications:

Insulator Material	PA6T, UL 94V-0, Color: Black, White, Blue or Green
Contact Material	Precision Machined Copper Alloy
Contact Plating	Gold Plating over Nickel All Over
Shell Material	Nickel Plated Steel (Optional Tin Plating)
Current Rating	5 amps
Contact Resistance	10 Milliohms maximum
Dielectric Withstanding Voltage	5000 megaohms minimum
Insulation Resistance	1000 V AC rms at Sea Level
Operating Temperature	-55°C To +125°C

Ordering Code:

621-M25-260-BN3

SERIES: _____
 621: PLUG (PIN)
 622: RECEPTACLE (SOCKET)

M: MACHINED CONTACTS _____

NO. OF CONTACTS: _____
 09 - 9 CONTACTS 25 - 25 CONTACTS
 15 - 15 CONTACTS 37 - 37 CONTACTS
 50 - 50 CONTACTS

CONTACT FINISH CODE: _____
 2 - GOLD FLASH PLATING
 3 - 15 MICROINCHES OF GOLD PLATING
 6 - 30 MICROINCHES OF GOLD PLATING

CONTACT CODE: _____
 60 - .283" (7.20MM) FOOTPRINT RIGHT ANGLE PC TAIL

MOUNTING & GROUNDING OPTIONS:
 1 - Ø.120" (Ø3.05) THROUGH HOLE
 2 - 4-40 UNC INSERT
 3 - 4-40 UNC INSERT + STABILIZER PCB + BOARDLOCKS
 4 - 4-40 UNC INSERT + STABILIZER PCB + Ø.126" (Ø3.20) HOLE
 5 - 4-40 UNC STANDOFF + STABILIZER PCB + BOARDLOCKS
 6 - 4-40 UNC STANDOFF + STABILIZER PCB + Ø.126" (Ø3.20) HOLE

SHELL PLATING CODE:
 N - NICKEL
 T - TIN

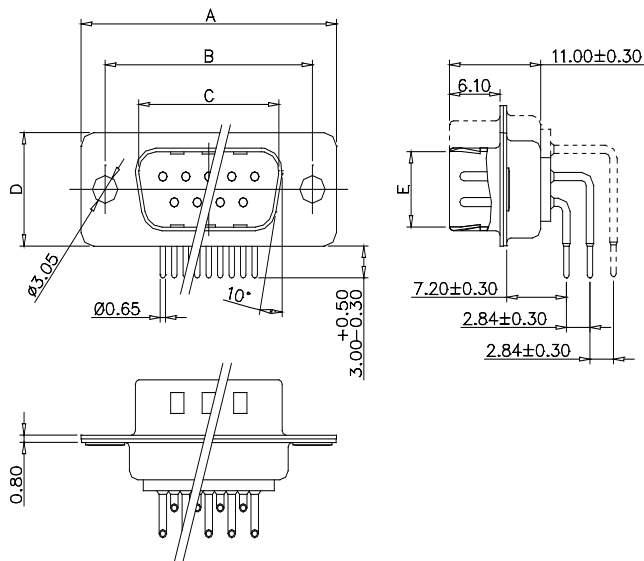
HOUSING MATERIAL CODE:
 B - BLACK
 W - WHITE
 G - GREEN
 L - BLUE

621M/622M SERIES

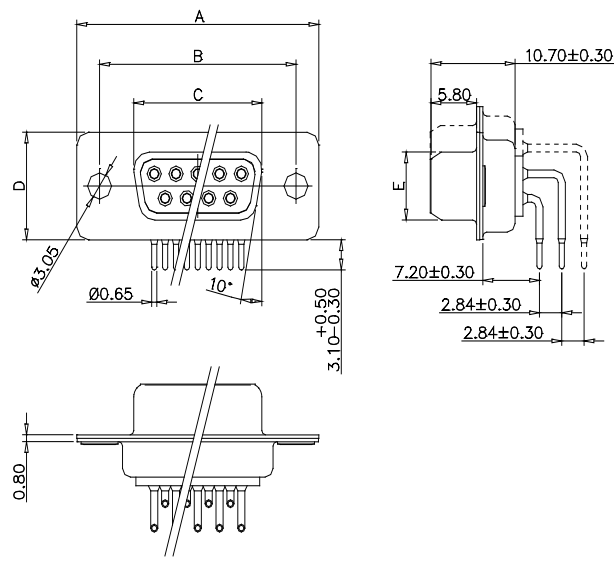


D-SUB+

D-Sub Connectors: Right Angle, 0.283" (7.20mm) Footprint



PLUG



RECEPTACLE

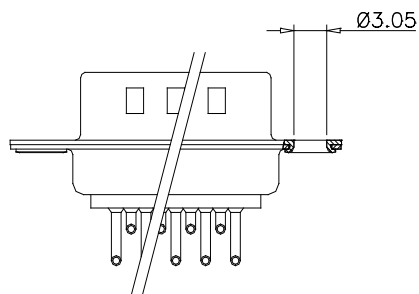
No. of Pos.	A	B	C	D	E
09	30.80	25.00	16.90	12.50	8.30
15	39.20	33.30	25.25	12.50	8.30
25	53.05	47.05	38.95	12.50	8.30
37	69.40	63.50	55.40	12.50	8.30
50	67.00	61.00	52.80	15.30	11.15

No. of Pos.	A	B	C	D	E
09	30.80	25.00	16.30	12.50	7.90
15	39.20	33.30	24.60	12.50	7.90
25	53.05	47.05	38.40	12.50	7.90
37	69.40	63.50	54.80	12.50	7.90
50	67.00	61.00	52.20	15.30	10.90

MOUNTING & GROUNDING OPTIONS:

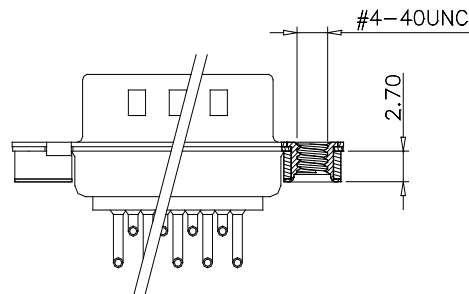
CODE - 1

Ø3.05 THROUGH HOLE



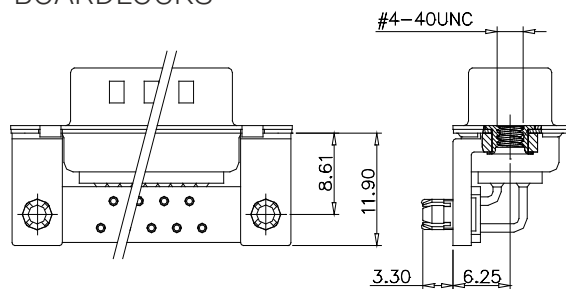
CODE - 2

#4-40 UNC INSERT



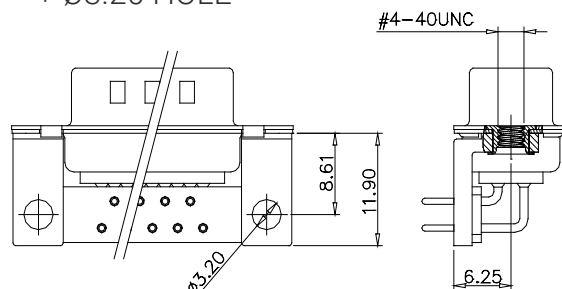
CODE - 3

#4-40 UNC INSERT + STABILIZER PCB + BOARDLOCKS



CODE - 4

#4-40 UNC INSERT + STABILIZER PCB + Ø3.20 HOLE

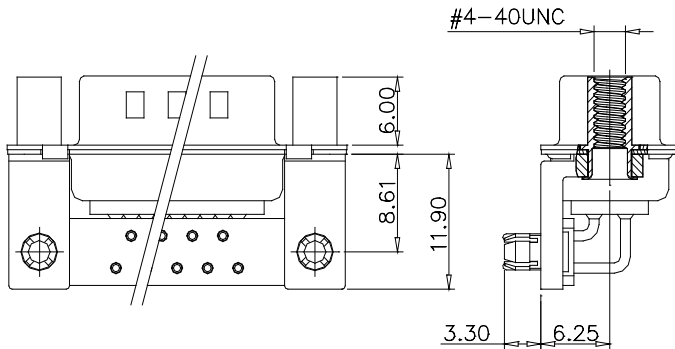


D-Sub Connectors: Right Angle, 0.283" (7.20mm) Footprint

MOUNTING & GROUNDING OPTIONS:

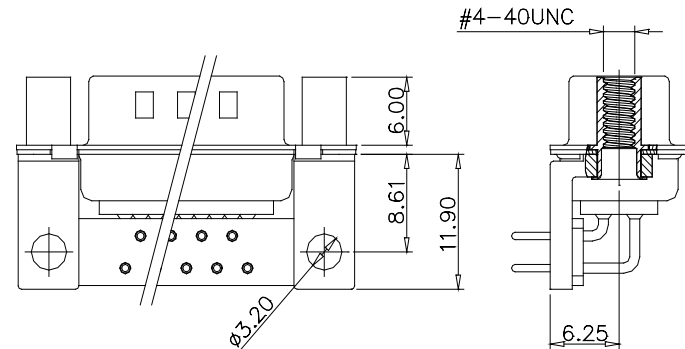
CODE - 5

#4-40 UNC STANDOFF + STABILIZER
PCB + BOARDLOCKS



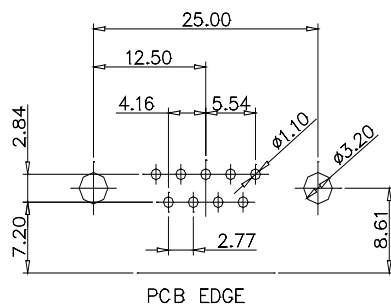
CODE - 6

#4-40 UNC STANDOFF + STABILIZER
PCB + Ø3.20 HOLE

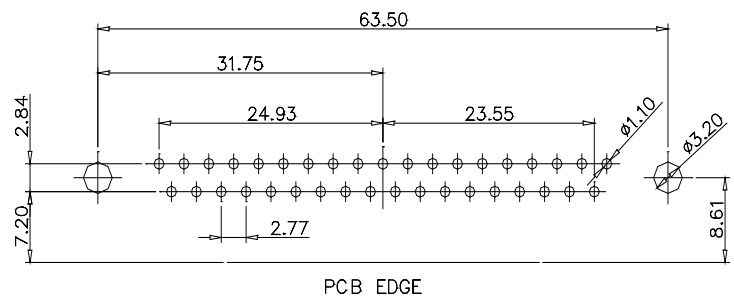


RECOMMENDED PCB LAYOUT

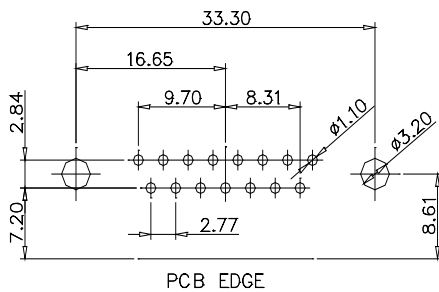
9 POS



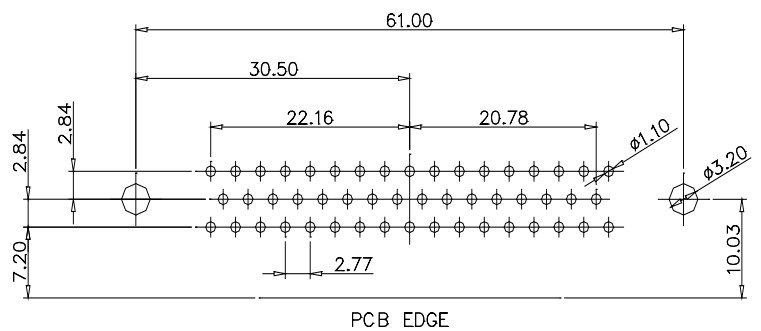
37 POS



15 POS



50 POS



25 POS

