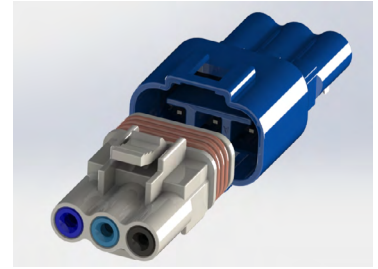


### Features:

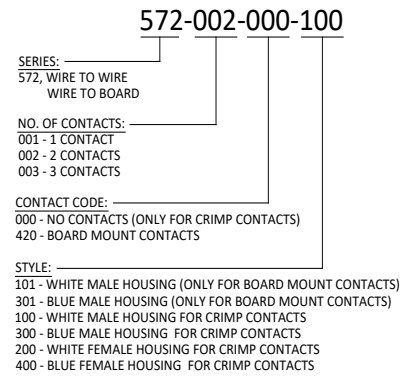
- 5.8mm pitch, rated current: 10A max
- Fully waterproof with double latch solution
- Available in wire to wire and wire to board options
- Available in 1, 2, or 3 positions
- True crimp and poke solution
- Internal polarization to prevent mismatching
- Available with wire already installed
- Wide range of wire sizes available
- Waterproof Grade: IP67 Certified



### Specifications:

No. of Positions	1, 2, 3
Pitch	5.8 mm
Rated Voltage	300 V
Rated Current	10 amps maximum
Dielectric Withstanding Voltage	1700 V AC (rms)
Contact Resistance	10 milliohms maximum
Insulation Resistance	1000 megaohms minimum/DC 500 V
Operating Temperature	-40°C to +105°C
PCB Thickness	1.6 mm

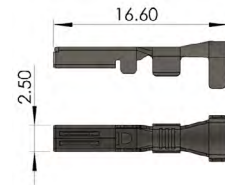
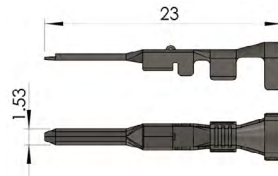
### Ordering Code:



### Crimp Contact:

Male Contact (Pin)			
Part No (Material)	AWG#	Ins. Dia.	Pcs/Reel
570-290-751 (Brass)	14	Max. Ø3.1	4,000
570-291-731 (Ph. Brz.)	20-16	Max. Ø3.1	4,000
570-290-731 (Brass)	20-16	Max. Ø3.1	4,000
570-290-711 (Brass)	22-20	Max. Ø2.7	4,000

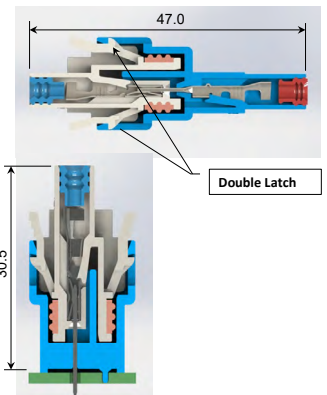
Female Contact (Socket)			
Part No (Material)	AWG#	Ins. Dia.	Pcs/Reel
570-290-761 (Brass)	14	Max. Ø3.1	4,000
570-291-741 (Ph. Brz.)	20-16	Max. Ø3.1	4,000
570-290-741 (Brass)	20-16	Max. Ø3.1	4,000
570-291-721 (Ph. Brz.)	22-20	Max. Ø2.7	4,000
570-290-721 (Brass)	22-20	Max. Ø2.7	4,000



### Materials:

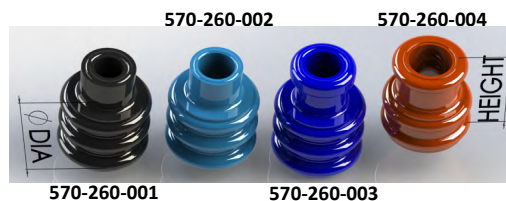
Crimp & Poke	Housing	PBT, UL 94V-0
	Contact	Ph. Brz. or Brass
PCB Header	Housing	PBT with Glass, UL 94V-0
	Contact	Brass
Contact Plating		Tin Plating
Wire & Housing Seals		Silicone Rubber

### Assembly Layout:



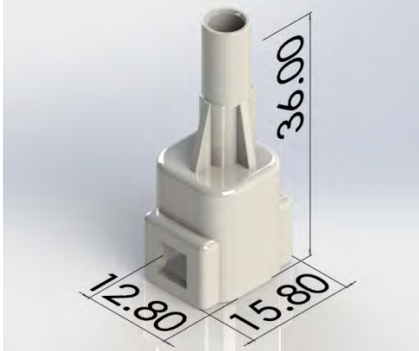
### Wire Seal:

Part No.	Wire O.D.	Color	AWG#	Ø Dia.	Height
570-260-001	Ø1.7~Ø2.1	Black	22	Ø 5.0	6.0
570-260-002	Ø2.1~Ø2.7	Light Blue	22-20	Ø 5.0	6.0
570-260-003	Ø2.1~Ø2.7	Blue	22-20	Ø 5.0	6.7
570-260-004	Ø2.7~Ø3.1	Brown	20-14	Ø 4.9	5.0

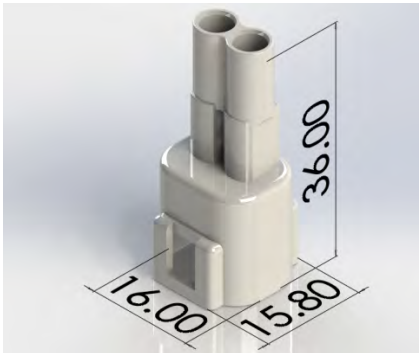


## Male Housing:

572-001-000-XXX



572-002-000-XXX



572-003-000-XXX

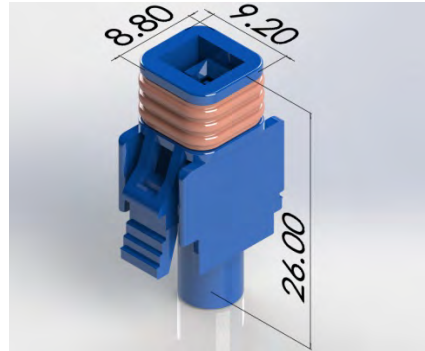


## Male Housing:

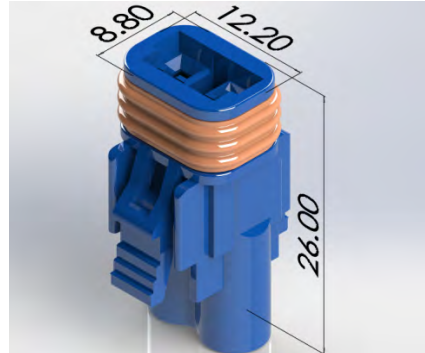
Housing Color:	XXX:
White	100
Blue	300

## Female Housing:

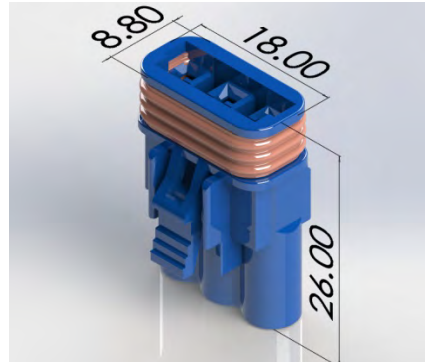
572-001-000-XXX



572-002-000-XXX



572-003-000-XXX

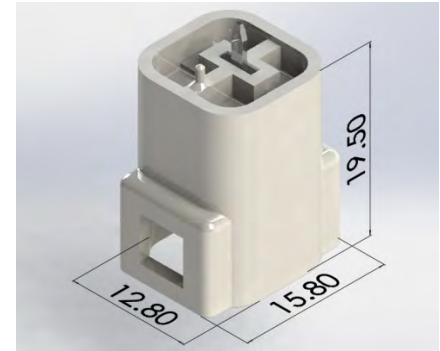


## Female Housing:

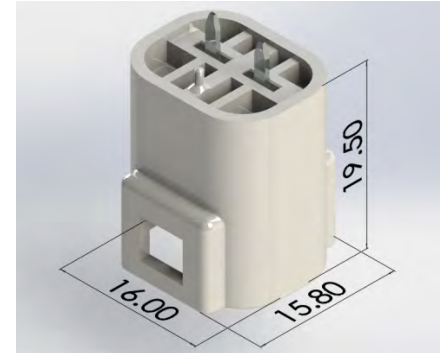
Housing Color:	YYY:
White	200
Blue	400

## PCB Header

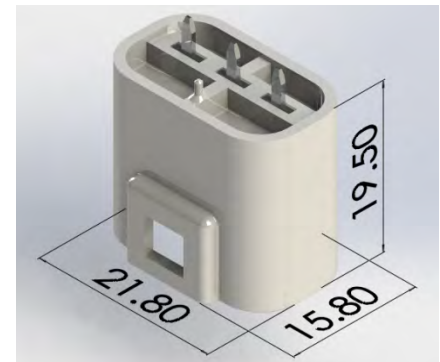
572-001-420-XXX



572-002-420-XXX



572-003-420-XXX

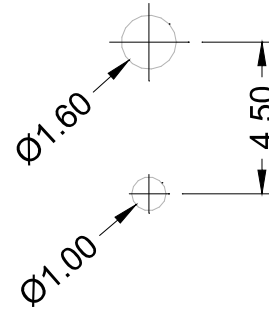


## PCB Header:

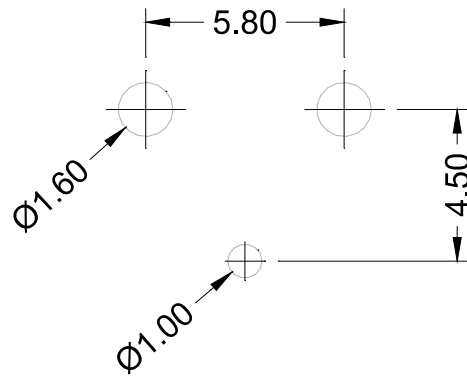
Housing Color:	XXX:
White	101
Blue	301

## Recommended PCB Layout

572 SERIES - 1P



572 SERIES - 2P



572 SERIES - 3P

