

# 629M/630M SERIES

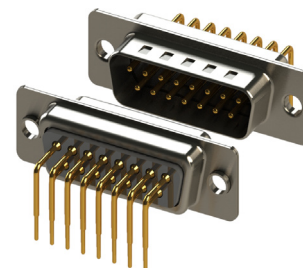


D-SUB+

## Machined D-Sub Connectors: Right Angle, 0.370" (9.40mm) Footprint

### Features:

- Two contact rows with 0.370"(9.40mm) footprint, right angle bend D-Sub with machined contacts
- 0.109"(2.77mm) contact spacing x 0.112"(2.84mm) row spacing
- Plug and receptacle in 9, 15, 25, 37 or 50 contact sizes
- Pin and socket contact mating design with P.C. tail termination
- Metal shell provides EMI/RFI shielding, plug shell indents provide grounding and additional mating retention
- Grounding features include brackets with boardlock for exceptional retention to P.C. board
- Mounting options for panel mount or connector mating include through hole, threaded inserts and threaded standoffs
- Insulation housings are offered in different colors: black, white, green and blue
- D-shaped connector mating outline provides polarization



### Specifications:

Insulator Material	PA6T, UL 94V-0, Color: Black, White, Blue or Green
Contact Material	Precision Machined Copper Alloy
Contact Plating	Gold Plating over Nickel All Over
Shell Material	Nickel Plated Steel (Optional Tin Plating)
Current Rating	5 amps
Contact Resistance	10 Milliohms maximum
Dielectric Withstanding Voltage	5000 megaohms minimum
Insulation Resistance	1000 V AC rms at Sea Level
Operating Temperature	-55°C To +125°C

### Ordering Code:

## 629-M25-240-BN3

**SERIES:** \_\_\_\_\_  
629: PLUG (PIN)  
630: RECEPTACLE (SOCKET)

**M:** MACHINED CONTACTS \_\_\_\_\_

**NO. OF CONTACTS:** \_\_\_\_\_  
09 - 9 CONTACTS    25 - 25 CONTACTS  
15 - 15 CONTACTS    37 - 37 CONTACTS  
50 - 50 CONTACTS

**CONTACT FINISH CODE:** \_\_\_\_\_  
2 - GOLD FLASH PLATING  
3 - 15 MICROINCHES OF GOLD PLATING  
6 - 30 MICROINCHES OF GOLD PLATING

**CONTACT CODE:** \_\_\_\_\_  
40 - 0.370" (9.40MM) FOOTPRINT R/A PC TAIL

**MOUNTING & GROUNDING OPTIONS:**

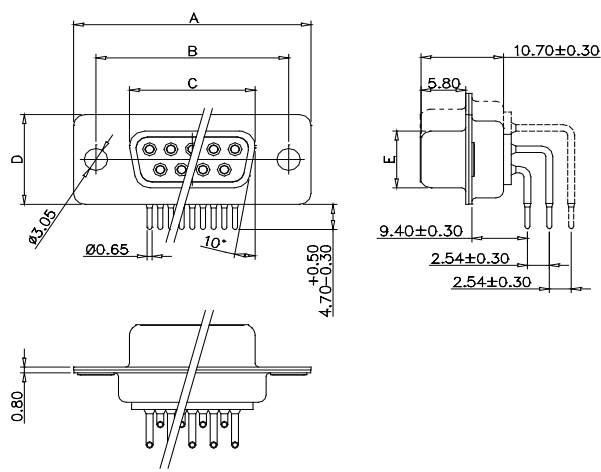
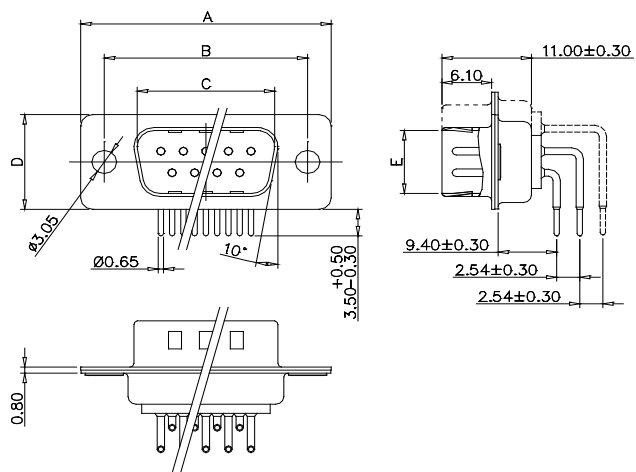
- 1 - Ø.120"(Ø3.05) THROUGH HOLE
- 2 - 4-40 UNC INSERT
- 3 - 4-40 UNC INSERT + STABILIZER PCB + BOARDLOCKS
- 4 - 4-40 UNC INSERT + STABILIZER PCB + Ø.126"(Ø3.20) HOLE
- 5 - 4-40 UNC STANDOFF + STABILIZER PCB + BOARDLOCKS
- 6 - 4-40 UNC STANDOFF + STABILIZER PCB + Ø.126"(Ø3.20) HOLE

**SHELL PLATING CODE:**  
N - NICKEL  
T - TIN

**HOUSING MATERIAL CODE:**  
B - BLACK  
W - WHITE  
G - GREEN  
L - BLUE

### PLUG

### RECEPTACLE



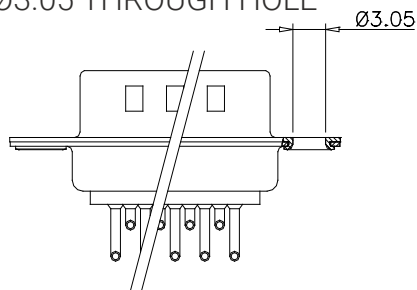
No. of Pos.	A	B	C	D	E
09	30.80	25.00	16.90	12.50	8.30
15	39.20	33.30	25.25	12.50	8.30
25	53.05	47.05	38.95	12.50	8.30
37	69.40	63.50	55.40	12.50	8.30
50	67.00	61.00	52.80	15.30	11.15

No. of Pos.	A	B	C	D	E
09	30.80	25.00	16.30	12.50	7.90
15	39.20	33.30	24.60	12.50	7.90
25	53.05	47.05	38.40	12.50	7.90
37	69.40	63.50	54.80	12.50	7.90
50	67.00	61.00	52.20	15.30	10.90

### MOUNTING & GROUNDING OPTIONS:

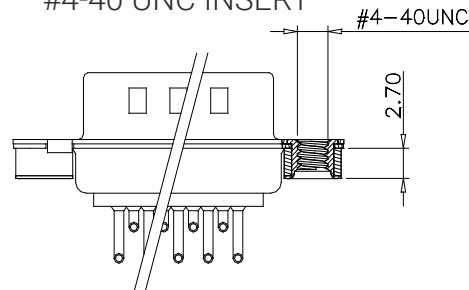
#### CODE - 1

Ø3.05 THROUGH HOLE



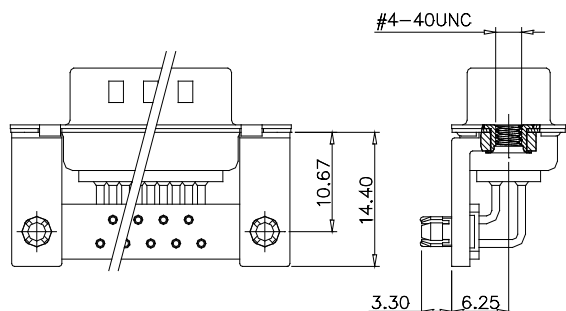
#### CODE - 2

#4-40 UNC INSERT



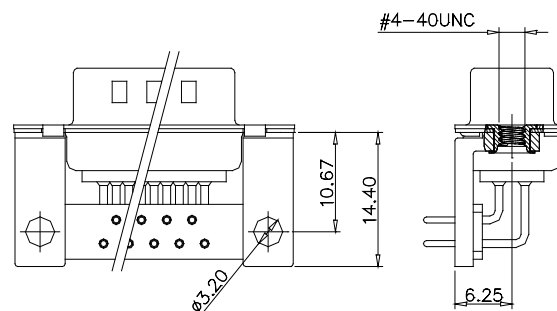
#### CODE - 3

#4-40 UNC INSERT + STABILIZER PCB + BOARDLOCKS



#### CODE - 4

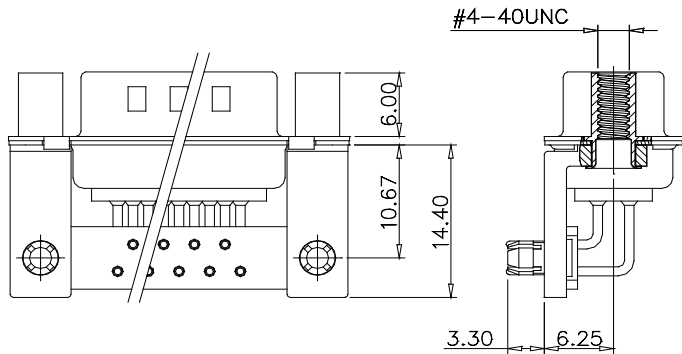
#4-40 UNC INSERT + STABILIZER PCB + Ø3.20 HOLE



### MOUNTING & GROUNDING OPTIONS:

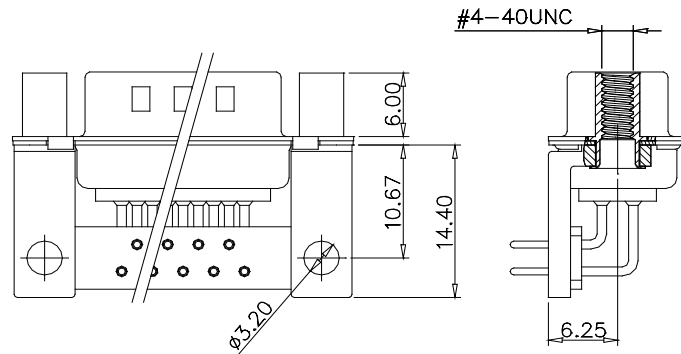
#### CODE - 5

#4-40 UNC INSERT + STABILIZER PCB  
+ BOARDLOCKS



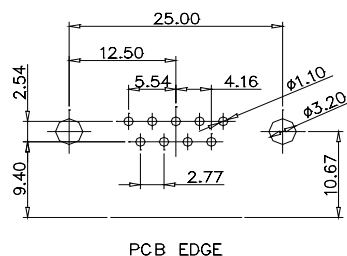
#### CODE - 6

#4-40 UNC INSERT + STABILIZER PCB  
+ Ø3.20 HOLE

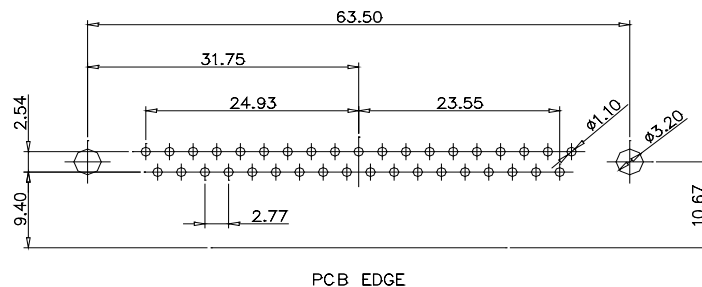


### RECOMMENDED PCB LAYOUT

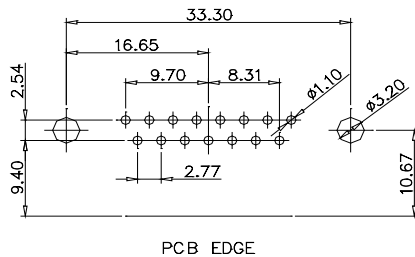
#### 9 pos



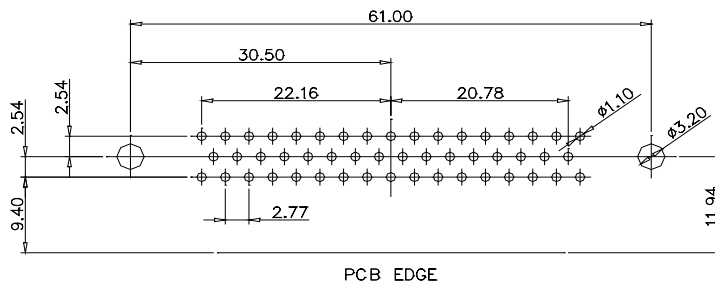
#### 37 pos



#### 15 pos



#### 50 pos



#### 25 pos

