

- Note:
- Material:
    - Housing: thermoplastic high temp.UL94V-0;
    - Latch: thermoplastic high temp.UL94V-0;
    - Terminal: copper alloy.
    - Fitting Nail: copper alloy.
  - Finish:
    - Terminal:
      - 40~100u" Nickel under plating over all
      - 1:1u" Gold on contact and Gold Flash on Solder
      - 2:2u" Gold on contact and Gold Flash on Solder
      - 3:3u" Gold on contact and Gold Flash on Solder
      - 4:5u" Gold on contact and Gold Flash on Solder
      - Gold Flash on contact and Solder
      - 3u" Gold on contact and Gold Flash on Solder
      - 4u" Gold on contact and Gold Flash on Solder
      - 5u" Gold on contact and Gold Flash on Solder
    - Fitting Nail:
      - 40~100u" Nickel under plating over all
      - 80~120u" Matte tin over all
  - Product must comply HF RoHS specification.

4. Product No:  
AFC42-S

CKTS      \*\*      F      \*      \*      -      \*\*

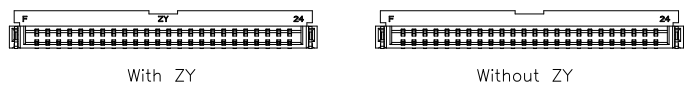
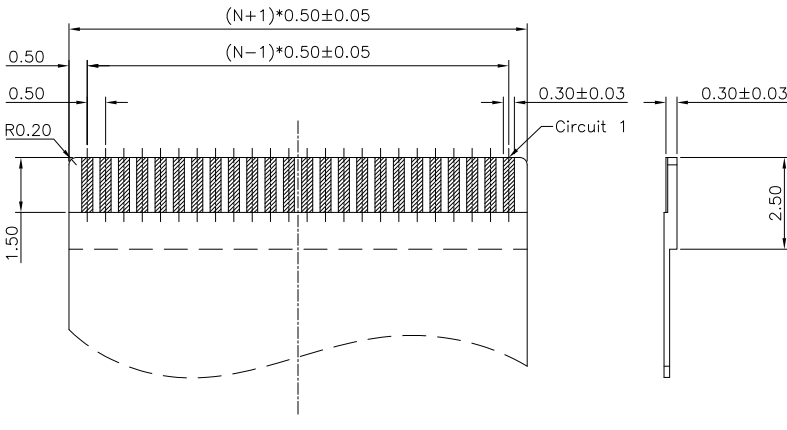
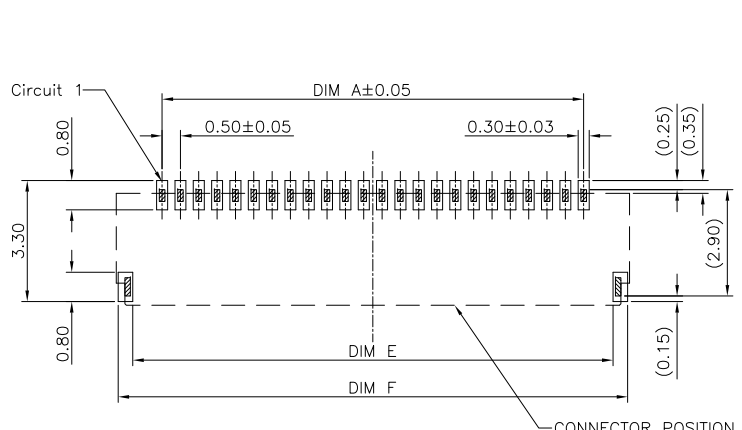
CONTACTS TYPE  
F:Upper & Lower

REMARKS  
HF:Halogen free  
Housing White  
Latch Black  
1H:Halogen free  
Housing Black  
Latch Black  
OF:Halogen free  
Housing White  
Latch Black  
Without ZY  
2H:Halogen free  
Housing Black  
Latch White

PACKING  
A:Tape&Reel  
C:Tube  
L:Tape&Reel  
Heat sealing

PLATING  
1:Gold flash 1u"  
2:Gold flash 2u"  
3:Gold flash 3u"  
4:Gold flash 5u"  
I:Gold flash  
K:Gold point 3u"  
L:Gold point 4u"  
M:Gold point 5u"  
R:Gold point 10u" On Contact area  
and gold flash on solder area

| CKTS | DIM A | DIM B | DIM C | DIM D | DIM E | DIM F |
|------|-------|-------|-------|-------|-------|-------|
| 4    | 1.50  | 3.38  | 2.53  | 4.00  | 3.10  | 3.90  |
| 5    | 2.00  | 3.88  | 3.03  | 4.50  | 3.60  | 4.40  |
| 6    | 2.50  | 4.38  | 3.53  | 5.00  | 4.10  | 4.90  |
| 7    | 3.00  | 4.88  | 4.03  | 5.50  | 4.60  | 5.40  |
| 8    | 3.50  | 5.38  | 4.53  | 6.00  | 5.10  | 5.90  |
| 9    | 4.00  | 5.88  | 5.03  | 6.50  | 5.60  | 6.40  |
| 10   | 4.50  | 6.38  | 5.53  | 7.00  | 6.10  | 6.90  |
| 11   | 5.00  | 6.88  | 6.03  | 7.50  | 6.60  | 7.40  |
| 12   | 5.50  | 7.38  | 6.53  | 8.00  | 7.10  | 7.90  |
| 13   | 6.00  | 7.88  | 7.03  | 8.50  | 7.60  | 8.40  |
| 14   | 6.50  | 8.38  | 7.53  | 9.00  | 8.10  | 8.90  |
| 15   | 7.00  | 8.88  | 8.03  | 9.50  | 8.60  | 9.40  |
| 16   | 7.50  | 9.38  | 8.53  | 10.00 | 9.10  | 9.90  |
| 17   | 8.00  | 9.88  | 9.03  | 10.50 | 9.60  | 10.40 |
| 18   | 8.50  | 10.38 | 9.53  | 11.00 | 10.10 | 10.90 |
| 19   | 9.00  | 10.88 | 10.03 | 11.50 | 10.60 | 11.40 |
| 20   | 9.50  | 11.38 | 10.53 | 12.00 | 11.10 | 11.90 |
| 21   | 10.00 | 11.88 | 11.03 | 12.50 | 11.60 | 12.40 |
| 22   | 10.50 | 12.38 | 11.53 | 13.00 | 12.10 | 12.90 |
| 23   | 11.00 | 12.88 | 12.03 | 13.50 | 12.60 | 13.40 |
| 24   | 11.50 | 13.38 | 12.53 | 14.00 | 13.10 | 13.90 |
| 25   | 12.00 | 13.88 | 13.03 | 14.50 | 13.60 | 14.40 |
| 26   | 12.50 | 14.38 | 13.53 | 15.00 | 14.10 | 14.90 |
| 27   | 13.00 | 14.88 | 14.03 | 15.50 | 14.60 | 15.40 |
| 28   | 13.50 | 15.38 | 14.53 | 16.00 | 15.10 | 15.90 |
| 29   | 14.00 | 15.88 | 15.03 | 16.50 | 15.60 | 16.40 |
| 30   | 14.50 | 16.38 | 15.53 | 17.00 | 16.10 | 16.90 |
| 31   | 15.00 | 16.88 | 16.03 | 17.50 | 16.60 | 17.40 |
| 32   | 15.50 | 17.38 | 16.53 | 18.00 | 17.10 | 17.90 |
| 33   | 16.00 | 17.88 | 17.03 | 18.50 | 17.60 | 18.40 |
| 34   | 16.50 | 18.38 | 17.53 | 19.00 | 18.10 | 18.90 |
| 35   | 17.00 | 18.88 | 18.03 | 19.50 | 18.60 | 19.40 |
| 36   | 17.50 | 19.38 | 18.53 | 20.00 | 19.10 | 19.90 |
| 37   | 18.00 | 19.88 | 19.03 | 20.50 | 19.60 | 20.40 |
| 38   | 18.50 | 20.38 | 19.53 | 21.00 | 20.10 | 20.90 |
| 39   | 19.00 | 20.88 | 20.03 | 21.50 | 20.60 | 21.40 |
| 40   | 19.50 | 21.38 | 20.53 | 22.00 | 21.10 | 21.90 |
| 41   | 20.00 | 21.88 | 21.03 | 22.50 | 21.60 | 22.40 |
| 42   | 20.50 | 22.38 | 21.53 | 23.00 | 22.10 | 22.90 |
| 43   | 21.00 | 22.88 | 22.03 | 23.50 | 22.60 | 23.40 |
| 44   | 21.50 | 23.38 | 22.53 | 24.00 | 23.10 | 23.90 |
| 45   | 22.00 | 23.88 | 23.03 | 24.50 | 23.60 | 24.40 |
| 46   | 22.50 | 24.38 | 23.53 | 25.00 | 24.10 | 24.90 |
| 47   | 23.00 | 24.88 | 24.03 | 25.50 | 24.60 | 25.40 |
| 48   | 23.50 | 25.38 | 24.53 | 26.00 | 25.10 | 25.90 |
| 49   | 24.00 | 25.88 | 25.03 | 26.50 | 25.60 | 26.40 |
| 50   | 24.50 | 26.38 | 25.53 | 27.00 | 26.10 | 26.90 |



| Rev | Change Description | Date       | Revisor |
|-----|--------------------|------------|---------|
| 版本  | 变更内容               | 日期         | 制/修订人   |
| E   | 新增白底黑盖规格           | 2020/03/03 | 吴小光     |
| D   | 新增黑底黑盖规格           | 2019/06/15 | 吴小光     |
| C   | 新增电镀规格             | 2019/02/20 | 吴小光     |
| B   | 更新进胶缺口外观说明         | 2019/01/24 | 张孝雄     |
| A   | 初版发行               | 2013/11/26 | Allan   |

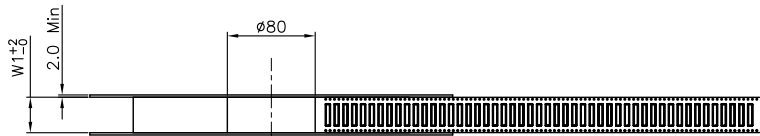
| CUSTOMER DRAWING             |                   |
|------------------------------|-------------------|
| Tolerance Unspecified (未注公差) | Size (图幅): A4     |
| 0.0 ±0.15 0° ±5°             | Unit (单位): MM     |
| 0.00 ±0.10 0° ±3°            | Scale (比例): 1:1   |
| 0.000 ±0.05 0° ±1°           | Page (页数): 1 OF 1 |
| Project View (投影视角)          | Rev (版本): E       |

**浙江合丰科技有限公司**  
Hefeng Zhejiang Hefeng Technology Co.,Ltd

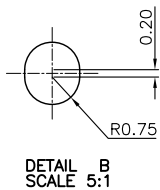
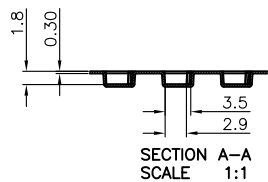
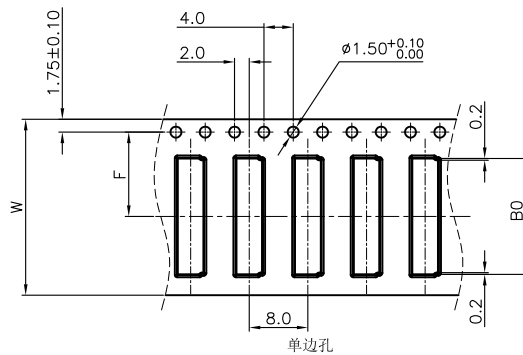
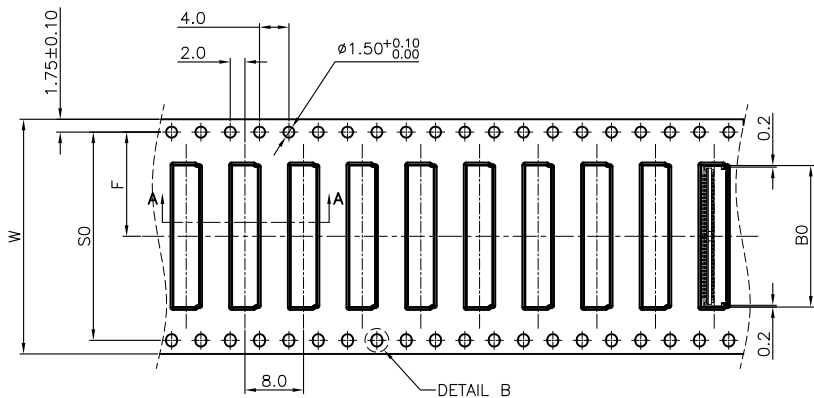
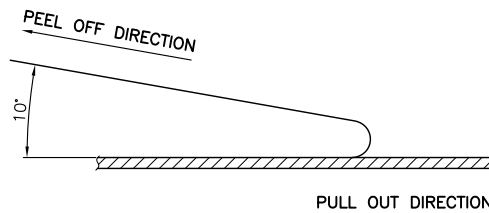
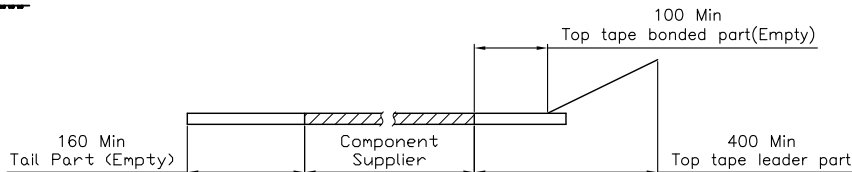
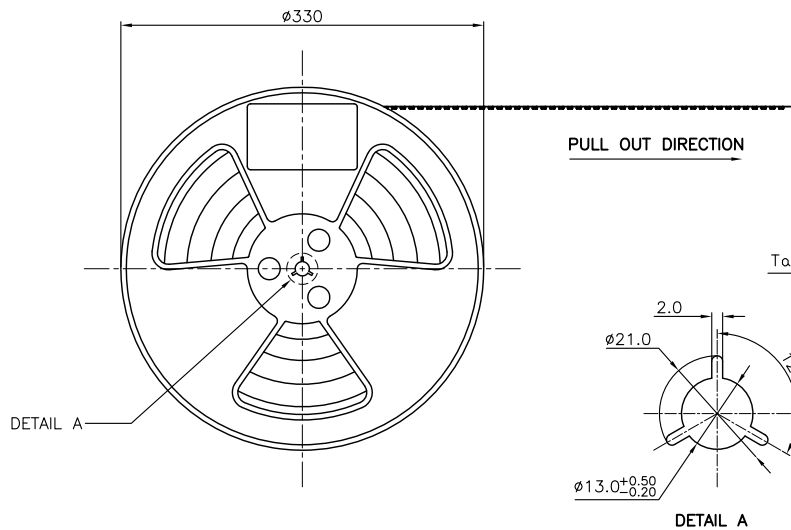
Product Name (产品名称): 0.5Pitch H=1.0 FPC/FFC Back-Flip R/A Type3 SMT CONN

Product No (产品料号): AFC42-S\*\*F\*\*\*-\*\*

Designer (设计): 吴小光  
Checked (审核):  
Approved (核准):



- NOTES:
1. 10 SPROCKET HOLE PITCH CUMULATIVE TOLERANCE.±0.20mm
  2. CARRIER CAMBER NOT TO EXCEED 1mm IN 250mm.
  3. ALL DIMENSIONS MEET EIA-481-C REQUIREMENTS.
  4. MATERIAL: BLACK ANTI-STATIC POLYSTYRENE.
  5. THICKNESS: 0.30 ± 0.05 mm.
  6. PACKING LENGTH PER 13" REEL : 32.40METERS.
  7. COMPONENT LOAD PER 13" REEL : 4000PCS.
  8. PEELING OFF FORCE OF TOP TAPE 0.1N~0.7N(10.2gf~71.4gf).



| CKTS FOR 1.0 PITCH | CKTS FOR 0.5 PITCH | B0±0.10   | W    | W1 | F±0.10 | S0±0.10 |
|--------------------|--------------------|-----------|------|----|--------|---------|
| 4                  | 4.30               |           |      |    |        |         |
| 5                  | 4.80               |           |      |    |        |         |
| 6                  | 5.30               |           |      |    |        |         |
| 7                  | 5.80               |           |      |    |        |         |
| 8                  | 6.30               |           |      |    |        |         |
| 9                  | 6.80               |           |      |    |        |         |
| 10                 | 7.30               |           |      |    |        |         |
| 11                 | 7.80               |           |      |    |        |         |
| 12                 | 8.30               |           |      |    |        |         |
| 13                 | 8.80               |           |      |    |        |         |
| 14                 | 9.30               |           |      |    |        |         |
| 15                 | 9.80               |           |      |    |        |         |
| 16                 | 10.30              |           |      |    |        |         |
| 17                 | 10.80              |           |      |    |        |         |
| 18                 | 11.30              |           |      |    |        |         |
| 19                 | 11.80              |           |      |    |        |         |
| 20                 | 12.30              |           |      |    |        |         |
| 21                 | 12.80              |           |      |    |        |         |
| 22                 | 13.30              |           |      |    |        |         |
| 23                 | 13.80              |           |      |    |        |         |
| 24                 | 14.30              |           |      |    |        |         |
| 25                 | 14.80              |           |      |    |        |         |
| 26                 | 15.30              |           |      |    |        |         |
| 27                 | 15.80              |           |      |    |        |         |
| 28                 | 16.30              |           |      |    |        |         |
| 29                 | 16.80              |           |      |    |        |         |
| 30                 | 17.30              |           |      |    |        |         |
| 31                 | 17.80              |           |      |    |        |         |
| 32                 | 18.30              |           |      |    |        |         |
| 33                 | 18.80              |           |      |    |        |         |
| 34                 | 19.30              |           |      |    |        |         |
| 35                 | 19.80              |           |      |    |        |         |
| 36                 | 20.30              |           |      |    |        |         |
| 37                 | 20.80              |           |      |    |        |         |
| 38                 | 21.30              |           |      |    |        |         |
| 39                 | 21.80              |           |      |    |        |         |
| 40                 | 22.30              |           |      |    |        |         |
| 41                 | 22.80              |           |      |    |        |         |
| 42                 | 23.30              |           |      |    |        |         |
| 43                 | 23.80              |           |      |    |        |         |
| 44                 | 24.30              |           |      |    |        |         |
| 45                 | 24.80              |           |      |    |        |         |
| 46                 | 25.30              |           |      |    |        |         |
| 47                 | 25.80              |           |      |    |        |         |
| 48                 | 26.30              |           |      |    |        |         |
| 49                 | 26.80              |           |      |    |        |         |
| 50                 | 27.30              |           |      |    |        |         |
|                    |                    | 16±0.3/-0 | 16.4 |    | 7.5    |         |
|                    |                    | 24±0.3/-0 | 24.4 |    | 11.5   | 单边孔     |
|                    |                    | 32±0.30   | 32.4 |    | 14.2   | 28.4    |
|                    |                    | 44±0.35   | 44.4 |    | 20.2   | 40.4    |

CLASSIFICATION DIMENSION (尺寸类别):  
 FAT (首次检验): ⊙ To ⊙  
 ■ MARK IS MAJOR DIM (重点尺寸标示)  
 \* ⊕ MARK IS CRITICAL DIM (Cpk&Cp标示)

Tolerance Unspecified (未注公差)  
 0.0 ±0.10 0° ±3°  
 0.00 ±0.05 0° 0 ±2°  
 0.000 ±0.02 0° 0.00 ±1°

Size (图幅): A4  
 Unit (单位): MM  
 Scale (比例): 1:1  
 Project View (投影视角): 1 OF 1

**浙江合丰科技有限公司**  
 HEFENG Zhejiang Hefeng Technology Co., Ltd

Product Name (产品名称): 0.5Pitch H=1.0 FPC/FPC 后压卧式SMT型. 载带

Product No (产品料号): EB-350XXX180-00

Drawing No (图面编号): DNE00056-1 Date (日期): 2012/05/18

Designer (设计): Allan Checked (审核): Approved (核准):

| Rev 版本 | Change Description 变更内容 | Date 日期    | Revisor 制/修订人 |
|--------|-------------------------|------------|---------------|
| 1.0    | 初版发行                    | 2012/05/18 | Allan         |



# 产 品 规 格 书

## PRODUCT SPECIFICATION

### 【1】 适用范围 SCOPE

本规格书适用于 0.5mm Pitch H=1.0 FPC/FFC 后压卧式 SMT 型连接器系列。

This specification covers the 0.5mm Pitch H=1.0 FPC/FFC Back-Flip RA SMT Type connectors series.

### 【2】 外观尺寸 CONNECTOR DIMENSIONS

请参照图面

See attached drawings.

### 【3】 材质 MATERIAL

绝缘胶体 Housing: LCP

颜色 Color:自然色 Natural.

耐燃等级 (UL94V-0) Flammability Rating (UL94V-0).

后盖 Latch: PA9T

颜色 Color:黑色 Black

耐燃等级 (UL94V-0) Flammability Rating (UL94V-0).

端子 Terminal: 磷青铜 Phosphor Bronze.

焊片 Fitting Nail:磷青铜 Phosphor Bronze.

### 【4】 建议 P. C. B LAYOUT 图 ACCOMMODATED P. C. B LAYOUT

请参照图面

See attached drawings.

### 【5】 等级 RATING

| 项 目<br>ITEM                           | 规 格<br>SPECIFICATIONS                   |
|---------------------------------------|---|
| 最大容许电压<br>Operating Voltage (Max.)    | 50Vrms AC                               |
| 最大容许电流<br>Current Rating (Max.)       | 0.5A/PIN                                |
| 使用温度范围<br>Operating Temperature range | *-55° C ~ +85° C                        |
| 使用湿度范围<br>Operating humidity range    | 相对湿度90%以下<br>Relative humidity 90% max. |
| 保存温度范围<br>Storage temperature range   | -40° C ~ +50° C                         |
| 保存湿度范围<br>Storage humidity range      | 相对湿度90%以下<br>Relative humidity 90% max. |

\*:包含电流通过所产生的上升温度 Including terminal temperature rise.



## 【6】性能 PERFORMANCE

### 6.1 电气特性 ELECTRICAL PERFORMANCE

| 项目<br>ITEM                    | 测试条件<br>TEST CONDITION   | 规格<br>REQUIREMENT           |
|-------------------------------|--|-----------------------------|
| 接触阻抗<br>Contact Resistance    | 将样品与适合之FPC连接，测试电压20mV，限电流100mA下进行阻抗测试。(EIA-364-23)<br>Mate applicable FPC and measure by dry circuit, 20mV Max, 100mA. (EIA-364-23)                              | 100 mΩ最大.<br>100 mΩ Max.    |
| 绝缘阻抗<br>Insulation Resistance | 将样品与适合之FPC连接，提供相邻端子间测试电压500V DC进行绝缘阻抗测试。(EIA-364-21)<br>Mate applicable FPC and apply 500V DC between adjacent terminal or ground.<br>(EIA-364-21)               | 500 MΩ最小.<br>500 MΩ Min.    |
| 耐电压<br>Dielectric Strength    | 将样品与适合之FPC连接，相邻端子间需可承受250V AC(rms) 1分钟。(EIA-364-20)<br>Mate applicable FPC, apply 250V AC(rms) for 1 minute between adjacent terminal or ground.<br>(EIA-364-20) | 目视外观无任何损坏异状<br>No Breakdown |

### 6.2 机械特性 MECHANICAL PERFORMANCE

| 项目<br>ITEM                        | 测试条件<br>TEST CONDITION   | 规格<br>REQUIREMENT                   |
|-----------------------------------|--|-------------------------------------|
| FPC保持力<br>FPC Retention Force     | 将盖子盖上，与FPC连接，以操作速度每分钟位移 $25 \pm 3$ mm进行FPC保持力测试。(EIA-364-13)<br>Insert the Latch, pull the FPC at a rate of $25 \pm 3$ mm per minute.<br>(EIA-364-13)                        | Pos. x 0.15N最小<br>Pos. x 0.15N Min. |
| 端子保持力<br>Terminal Retention Force | 端子与Housing组装后，以操作速度每分钟位移 $25 \pm 3$ mm将端子拔出Housing，进行端子保持力测试。(EIA-364-29)<br>Apply axial pull out force at the rate of $25 \pm 3$ mm/minute on the terminal assembled in the | 0.3N最小.<br>0.3N Min.                |



|  | housing.<br>(EIA-364-29)  |                     |
|--|---|---------------------|
| 项目<br>ITEM                               | 测试条件<br>TEST CONDITION  | 规格<br>REQUIREMENT   |
| 焊片保持力<br>Fitting Nail<br>Retention Force | 焊片与Housing组装后，以操作速度每分钟位移 $25 \pm 3$ mm将焊片拔出Housing，进行焊片保持力测试。<br>(EIA-364-29)<br>Apply axial pull out force at the rate of $25 \pm 3$ mm/minute on the Fitting Nail assembled in the housing.<br>(EIA-364-29) | 0.8N最小.<br>0.8N Min |

6.3 环境特性及其它性能 ENVIRONMENTAL PERFORMANCE AND OTHERS

| 项目<br>ITEM               | 测试条件<br>TEST CONDITION  | 规格<br>REQUIREMENT          |                         |
|--------------------------|---|----------------------------|-------------------------|
| 耐久性<br>Durability        | 将盖子与FPC反复连接，以每分钟小于10 cycles连续操作20次。<br>(EIA-364-09)<br>Insert and withdraw actuator up to 20 cycles at the speed rate of less than 10 cycles/minute.<br>(EIA-364-09)                      | 接触阻抗<br>Contact Resistance | 100mΩ最大.<br>100mΩ Max.  |
| 温度上升<br>Temperature Rise | 量测通过FPC最大容许电流时，样品接触点之温升<br>(EIA-364-70 Method 2)<br>Mate applicable FPC and measure the temperature rise of contact when the maximum AC rated current is passed.<br>(EIA-364-70 Method 2) | 温升<br>Temperature Rise     | 30° C最大.<br>30° C Max.  |
| 耐振性<br>Vibration         | 通过DC电流1mA，位移相对距离1.5mm，振动周期10~55~10 Hz在1分钟内，持续2小时，方向在X, Y, Z轴做测试。(EIA-364-28 Condition   | 外观<br>Appearance           | 目视外观无任何损坏异状<br>NoDamage |



|  |  |                            |                           |
|--|--|----------------------------|---------------------------|
|  | I)<br>Mate connectors and subject to the following vibration conditions, for period of 2 hours in each of 3 mutually perpendicular axes, passing DC 1mA during the test. Amplitude : 1.5mm P-P Frequency : 10~55~10 Hz in 1 minute. Duration : 2 hours in each of X,Y,Z axes. (EIA-364-28 Condition I) | 接触阻抗<br>Contact Resistance | 100mΩ最大.<br>100mΩ Max.    |
|  |  | 瞬间断电<br>Discontinuity      | 1 μ sec最大<br>1 μ sec Max. |

| 项目<br>ITEM             | 测试条件<br>TEST CONDITION   | 规格<br>REQUIRMENT           |                            |
|------------------------|--|----------------------------|----------------------------|
| 耐冲击性<br>Shock          | 将样品与适合之FPC连接, 通过DC 1mA测试条件, 连续测试3次。在X、Y、Z 3轴6个垂直方向施予重力加速度981m/s <sup>2</sup> {100G} 冲击。<br>(EIA-364-27, test condition A)<br>Mate applicable FPC and subject to the following shock conditions. 3 times of shocks shall be applied for each 6 directions along 3 mutually perpendicular axes, passing DC 1mA current during the test. (Total of 18 shocks) Peak value : 981m/s <sup>2</sup> {100G}<br>(EIA-364-27, test condition A) | 外观<br>Appearance           | 目视外观无任何损坏异状<br>NoDamage    |
|                        |  | 接触阻抗<br>Contact Resistance | 100mΩ 最大.<br>100mΩ Max.    |
|                        |  | 瞬间断电<br>Discontinuity      | 1 μ sec 最大<br>1 μ sec Max. |
| 耐热性<br>Heat Resistance | 将样品与适合之FPC连接, 置于环境温度85±2° C测试时间96小时, 再置放于室温下1~2小时。<br>(EIA-364-17)<br>Mate applicable FPC and expose to 85±2° C for 96 hours. Upon completion of the exposure period, the test specimens shall be conditioned at ambient room conditions for 1 to 2 hours, after which the specified   | 外观<br>Appearance           | 目视外观无任何损坏异状<br>NoDamage    |
|                        |  | 接触阻抗<br>Contact Resistance | 100mΩ 最大.<br>100mΩ Max.    |



|                        |  |                            |                         |
|------------------------|--|----------------------------|-------------------------|
|                        | measurements shall be performed.<br>(EIA-364-17)   |                            |                         |
| 耐寒性<br>Cold Resistance | 将样品与适合之FPC连接, 置于环境温度 $-40\pm 2^{\circ}\text{C}$ , 测试时间96小时, 再置放于室温下1~2小时。<br>(EIA-364-59)  | 外观<br>Appearance           | 目视外观无任何损坏异状<br>NoDamage |
|                        | Mate applicable FPC and expose to $-40\pm 2^{\circ}\text{C}$ for 96 hours. Upon completion of the exposure period, the test specimens shall be conditioned at ambient room conditions for 1 to 2 hours, after which the specified measurements shall be performed.<br>(EIA-364-59) | 接触阻抗<br>Contact Resistance | 100mΩ 最大.<br>100mΩ Max. |

| 项目<br>ITEM           | 测试条件<br>TEST CONDITION  | 规格<br>REQUIRMENT              |                           |
|----------------------|---|-------------------------------|---------------------------|
| 耐湿性<br>Humidity      | 将样品与适合之FPC连接, 置于环境温度 $40\pm 2^{\circ}\text{C}$ , 相对湿度90~95%, 测试时间96小时, 再置放于室温下1~2小时。(EIA-364-31)<br>Mate applicable FPC and expose to $40\pm 2^{\circ}\text{C}$ , relative humidity 90 to 95% for 96 hours. Upon completion of the exposure period, the test specimens shall be conditioned at ambient room conditions for 1 to 2 hours, after which the specified measurements shall be performed.<br>(EIA-364-31) | 外观<br>Appearance              | 目视外观无任何损坏异状<br>NoDamage   |
|                      |   | 接触阻抗<br>Contact Resistance    | 100mΩ最大.<br>100mΩMax.     |
|                      |   | 耐电压<br>Dielectric Strength    | 需能符合耐电压测试<br>No Breakdown |
|                      |   | 绝缘阻抗<br>Insulation Resistance | 50 MΩ 最小.<br>50 MΩ Min    |
| 热冲击<br>Thermal Shock | 将样品与适合之FPC连接, 承受5 cycles 冷热冲击后置放于室温下1~2小时。1 cycle time如下<br>a) $-55\pm 3^{\circ}\text{C}$ 30分钟  | 外观<br>Appearance              | 目视外观无任何损坏异状<br>NoDamage   |



|                     |   |                            |                         |
|---------------------|---|----------------------------|-------------------------|
|                     | <p>b) +85±3° C 30 分钟<br/>(EIA-364-32)<br/>Mate applicable FPC and subject to the following conditions for 5 cycles. Upon completion of the exposure period, the test specimens shall be conditioned at ambient room conditions for 1 to 2 hours, after which the specified measurements shall be performed. 1 cycle</p> <p>a) -55±3° C 30minutes<br/>b) +85±3° C 30minutes<br/>(EIA-364-32)</p>   | 接触阻抗<br>Contact Resistance | 100mΩ 最大.<br>100mΩ Max. |
| 盐水喷雾<br>Salt Spray  | <p>将样品与适合之FPC连接, 使用5±1%浓度盐水, 测试温度35±2° C, 测试时间48±4小时, 后于室温下用清水冲洗后再干燥。(EIA-364-26)<br/>Mate applicable FPC and expose to the following salt mist conditions. Upon completion of the exposure period, salt deposits shall be removed by a gentle wash or dip in running water, after which the specified measurements shall be performed. NaCl solution<br/>Concentration : 5 ± 1%<br/>Spray time : 48 ± 4 hours<br/>Ambient temperature : 35 ± 2° C<br/>(EIA-364-26)</p> | 外观<br>Appearance           | 目视外观无任何损坏异状<br>NoDamage |
|                     |   | 接触阻抗<br>Contact Resistance | 100mΩ 最大.<br>100mΩ Max. |
| 项目<br>ITEM          | 测试条件<br>TEST CONDITION  | 规格<br>REQUIRMENT           |                         |
| 二氧化硫(气体)<br>SO2 Gas | <p>将样品与适合之FPC连接, 将其置放于50±5 ppm浓度二氧化硫气体中, 测试温度40±2° C, 测试时间24小时。<br/>(EIA-364-60)</p>  | 外观<br>Appearance           | 目视外观无任何损坏异状<br>NoDamage |

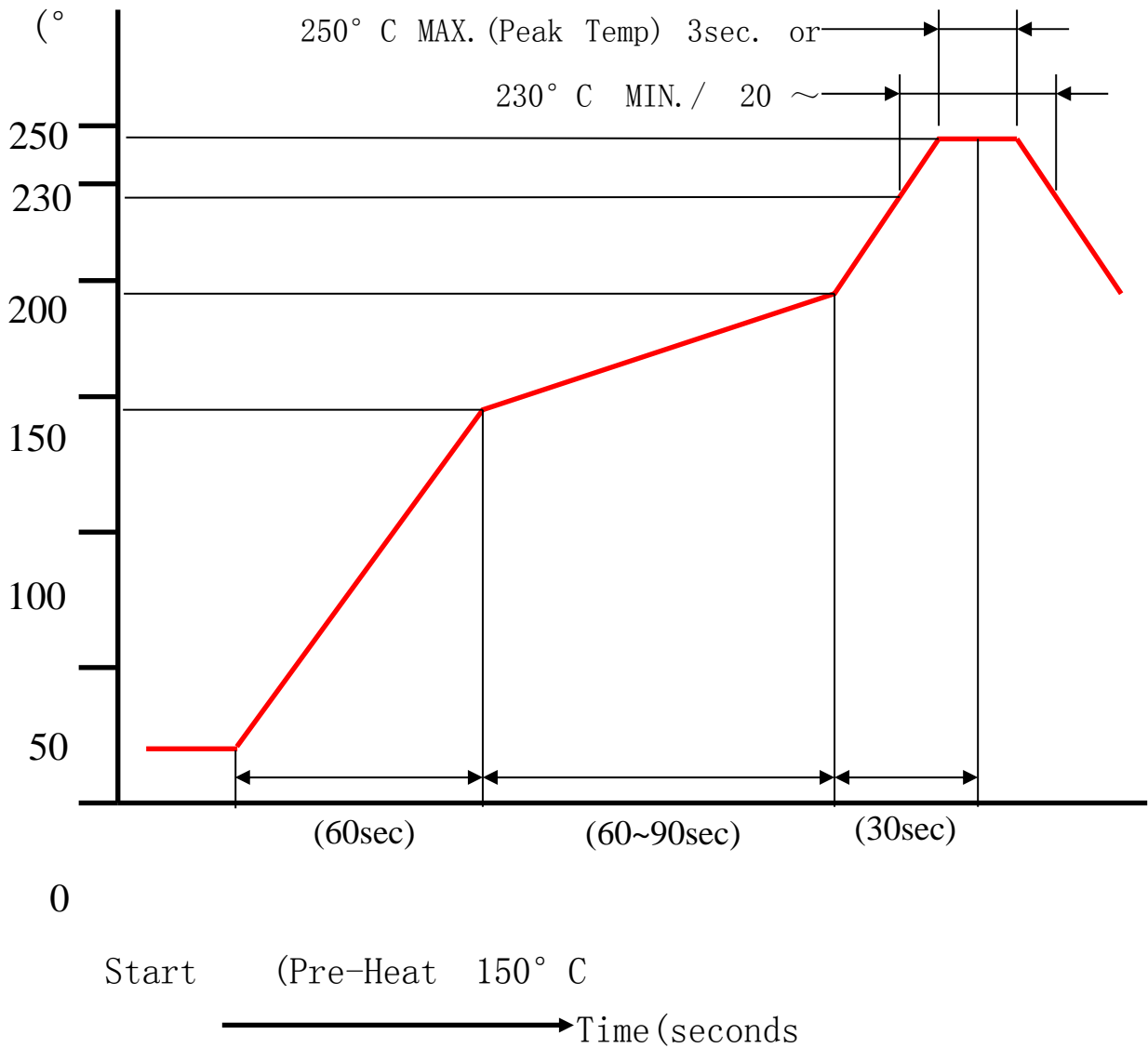




|                                       |  |                            |  |
|---------------------------------------|--|----------------------------|--|
|                                       | Mate applicable FPC and expose them to the following SO2 gas atmosphere.<br>Temperature 40 ± 2° C<br>Gas Density 50 ± 5 ppm<br>Duration 24 hours<br>(EIA-364-60)   | 接触阻抗<br>Contact Resistance | 100mΩ 最大.<br>100mΩ Max.  |
| 氨(气体)<br>NH3 Gas                      | 暴露来自浓度28%阿摩尼亚之蒸发气体NH3中, 测试时间40分钟。<br>(EIA-364-65)<br>40 minutes exposure to NH3 gas evaporating from 28% Ammonia solution.<br>(EIA-364-65)   | 外观<br>Appearance           | 目视外观无任何损坏异状<br>NoDamage  |
|                                       |  | 接触阻抗<br>Contact Resistance | 100mΩ 最大.<br>100mΩ Max.  |
| 焊锡性<br>Solderability                  | 锡温245±5° C, 将导电端子浸入锡炉液面至Housing距离锡面0.1mm位置, 焊锡时间3±0.5秒。(EIA-364-52)<br>Tip of solder tails and fitting nails into the molten solder (held at 245±5° C) up to 0.1mm from the bottom of the housing for 3±0.5 seconds. (EIA-364-52)                      | 润湿性<br>Solder Wetting      | 润湿面积95%以上, 并不得有漏焊针孔现象<br>95% of immersed area must show no voids, pin holes. |
| 焊锡耐热性<br>Resistance to Soldering Heat | 使用红外线回焊时请参考第7<br>When reflowing Refer to paragraph 7.<br>使用烙铁手焊时须可符合下述焊锡条件(EIA-364-56)<br>Soldering iron method<br>0.2mm from terminal tip and fitting nail tip.<br>Soldering time : 5 seconds Max.<br>Solder temperature : 370~400° C<br>(EIA-364-56) | 外观<br>Appearance           | 目视外观无任何损坏异状<br>NoDamage  |



【7】 红外线回焊温度曲线 INFRARED REFLOW CONDITION



温度条件TEMPERATURE CONDITION GRAPH  
(基板表面温度) (TEMPERATURE ON BOARD PATTERN SIDE)