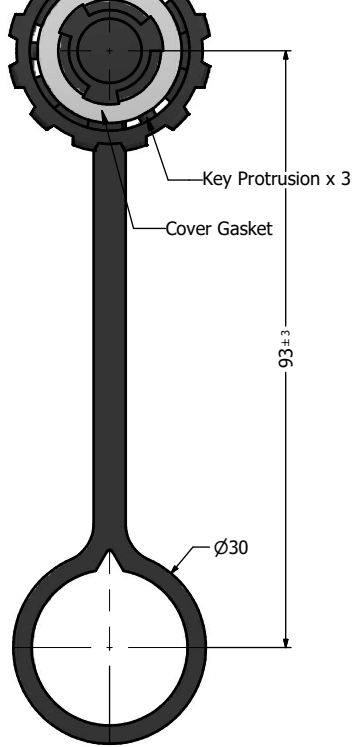
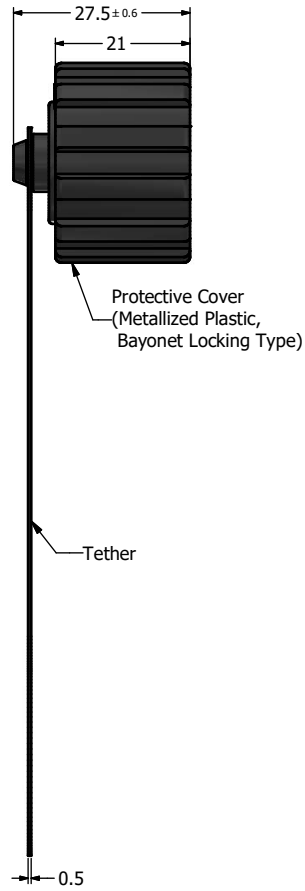


Ø31.5



Key Protrusion x 3  
Cover Gasket  
93 ± 3

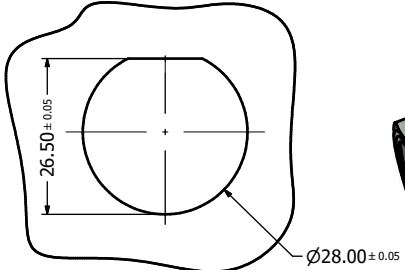
Ø30



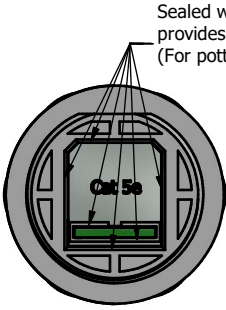
27.5 ± 0.6  
21  
Protective Cover  
(Metallized Plastic,  
Bayonet Locking Type)

Tether

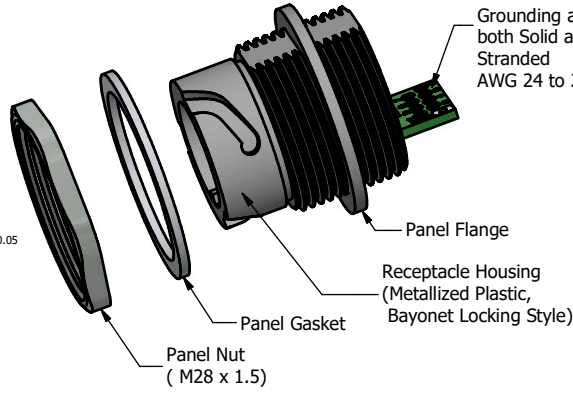
0.5



26.50 ± 0.05  
Ø28.00 ± 0.05  
Recommended Panel Cutout

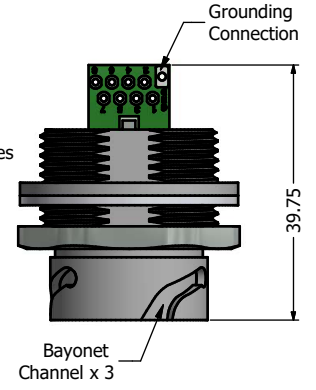


Sealed with Sealing Compound,  
provides IP67 even when uncovered  
(For potted version only)

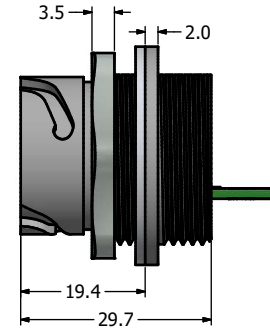


Panel Nut  
( M28 x 1.5)  
Panel Gasket  
Panel Flange  
Receptacle Housing  
(Metallized Plastic,  
Bayonet Locking Style)

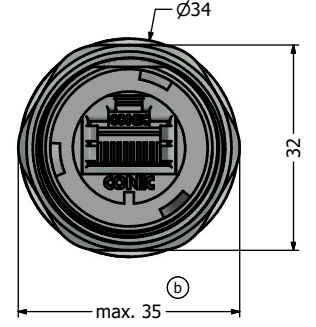
Shielded Cat.5e  
RJ45 PCB Jack  
with Metal Shell  
Grounding accepts  
both Solid and  
Stranded  
AWG 24 to 26 Wires



Grounding  
Connection  
39.75  
Bayonet  
Channel x 3



3.5  
2.0  
19.4  
29.7



Ø34  
32  
max. 35

**Notes:**

- Electrical Specifications:
  - Meets EIA/TIA-568-B.2 Cat.5e Specification
  - Contact Resistance: 20mOhm max.
  - Insulation Resistance: 500MOhm min. @ 100 VDC
  - Current Rating: 1.2A max. at 25°C
  - Working Voltage: 100 VDC
  - DWV: 1000 VDC/60s Contact to Contact, 1500 VDC/60s Contact to Metal Shell
  - Operating Temperature: -40°C to +85°C
- Material and Finish:
  - Receptacle Housing & Protective Cover: ABS, Nickel Plated; UL94 V-0
  - Panel Nut: Brass, Finish: Nickel Plated
  - Panel Gasket: Silicon, Color: White
  - Cover Gasket: Silicon, Color: White
  - Tether: Polycarbonate, Color: Black
  - Cat.5e RJ45 PCB Jack Metal Shell: Copper Alloy, Nickel Plated
  - Cat.5e RJ45 PCB Jack Plastic Housing: Glass filled PBT UL94 V-0, Color: Black
  - Cat.5e RJ45 PCB Jack Contacts: Phosphor Bronze, Finish: 50u" Gold min. over Nickel
- Connector can be front or rear mounted to a maximum panel thickness of 3.2mm.
- IP67 rated when covered or fully mated with the appropriate mating connector
- Recommended Mounting Panel Nut torque is 20 to 25 lb-inch

RoHS compliant

Description	Part Number
Metallized Plastic Version	17-110874
Potted Metallized Plastic Version	17-110884

THIS DRAWING MAY NOT BE COPIED OR REPRODUCED IN ANY MANNER WITHOUT THE WRITTEN PERMISSION OF CONEC CORPORATION. OWNERSHIP AND COPYRIGHT OF CONEC CORPORATION.	Customer:			Tolerance Unless otherwise specified			Scale:	Dim. in mm
	Name	Title	Approval Date	0 PLC ±0.50 1 PLC ±0.38 2 PLC ±0.25 3 PLC ±0.10 ANGLES ±3°	Autodesk Inventor		Material: See Notes	
	1 x b	A21-04.26	03.11.2021	Bub	2012 Date	Name	Receptacle + Cover Assembly Kit with Cat. 5e RJ45 PCB Jack Version-II Metallized Plastic Version	
	a	original			Draw. Nov. 19	Vincent Ke		
	Rev	Changes	Date	Name	Appd. Nov. 19	J. Chaudry	Drawing No.: 17K1A374	DIN A3
							Part No.: SEE PART NUMBER TABLE	Sheet 1/1