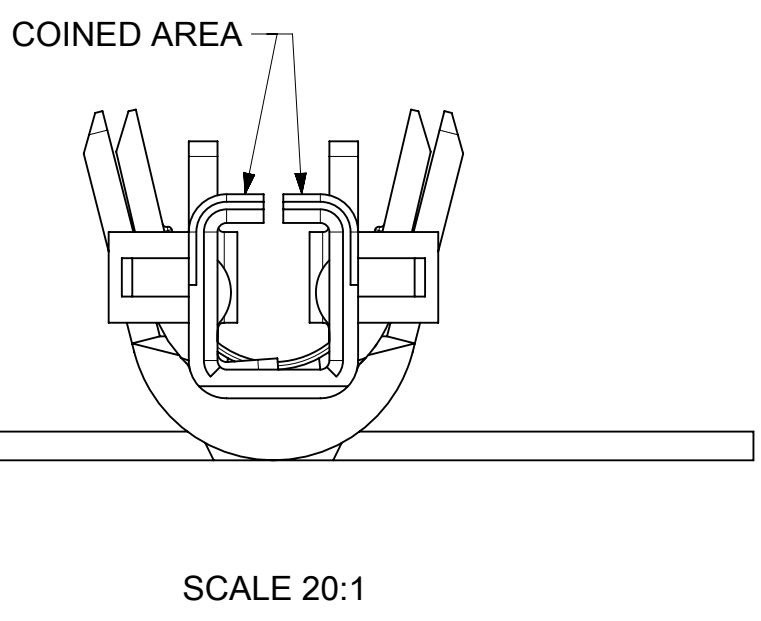
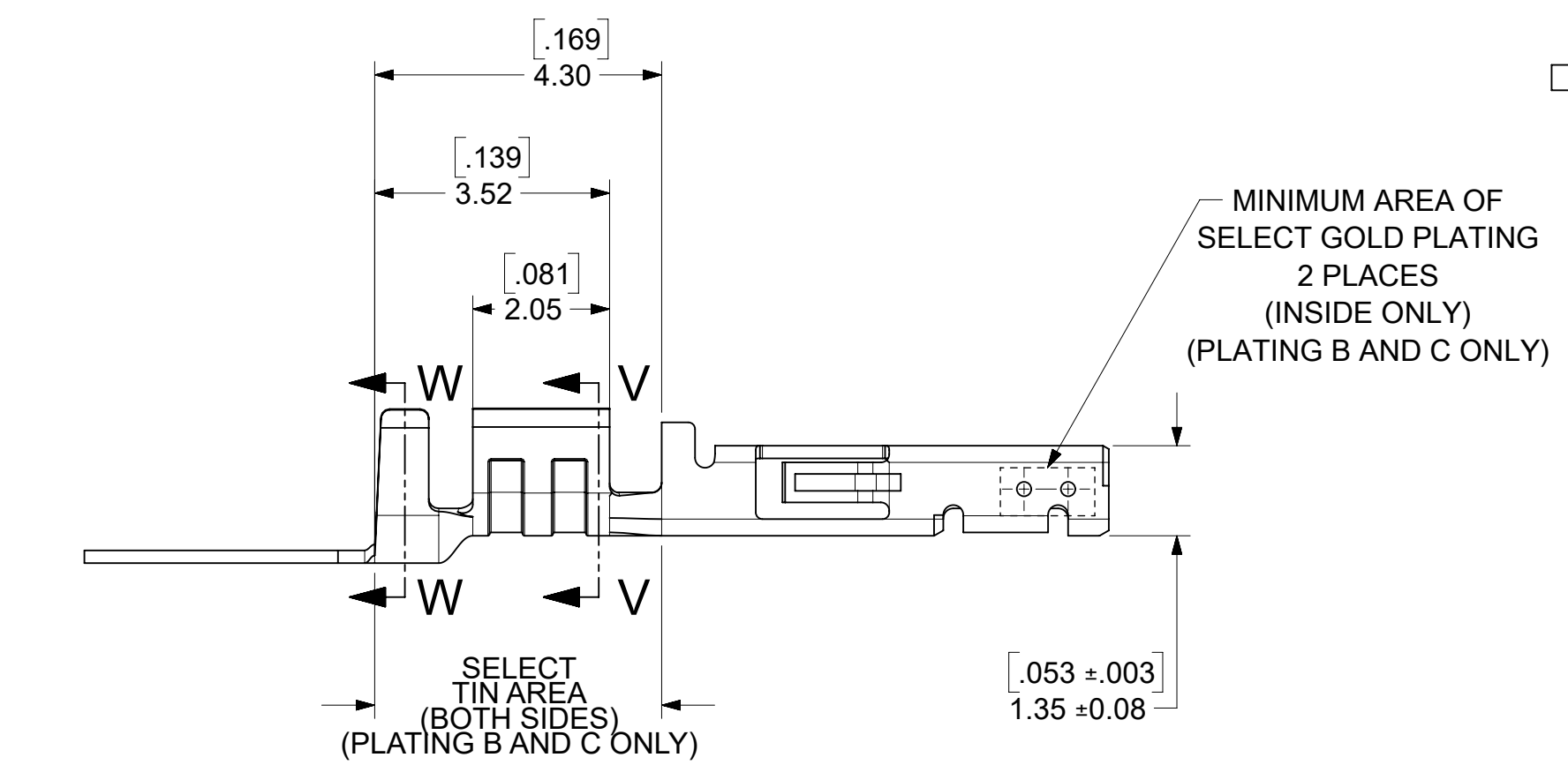
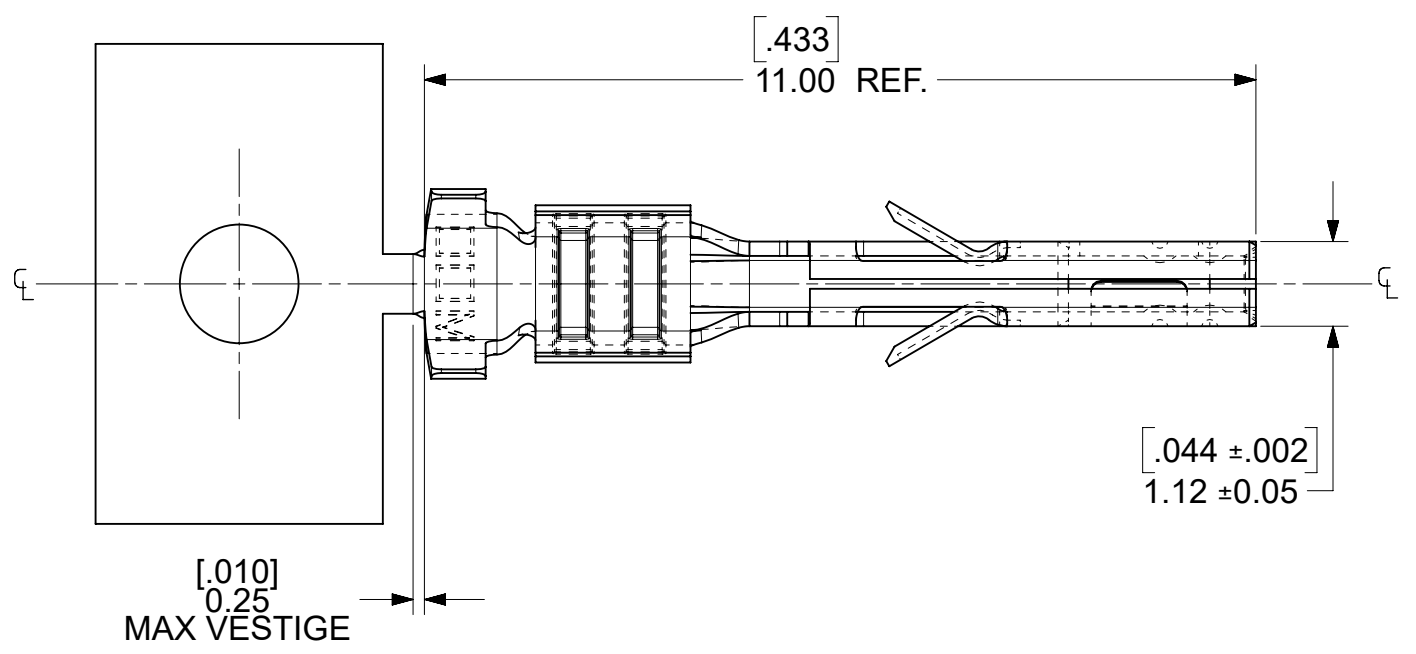
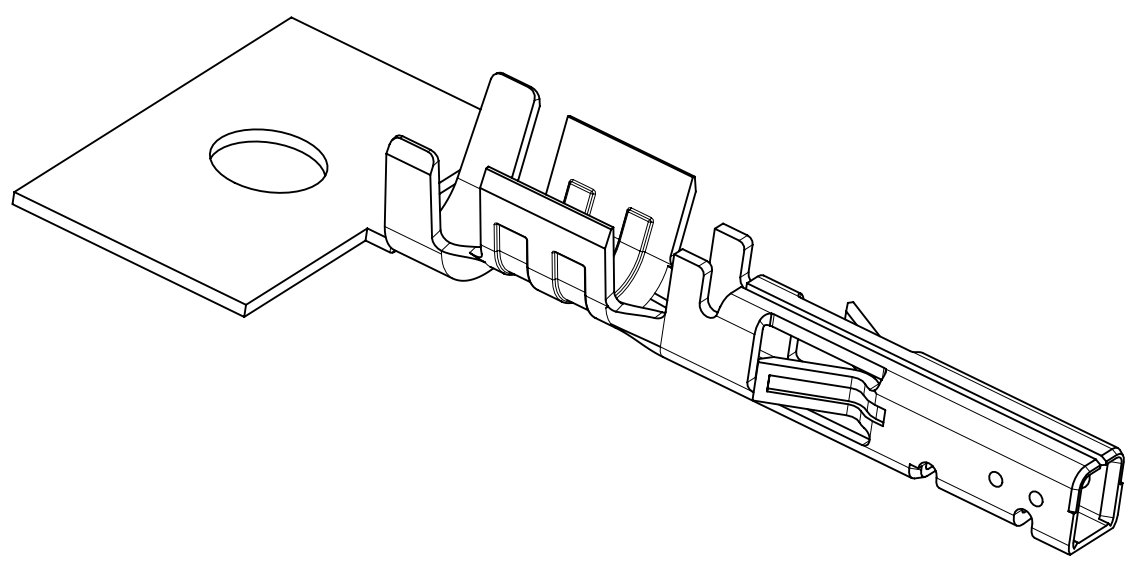
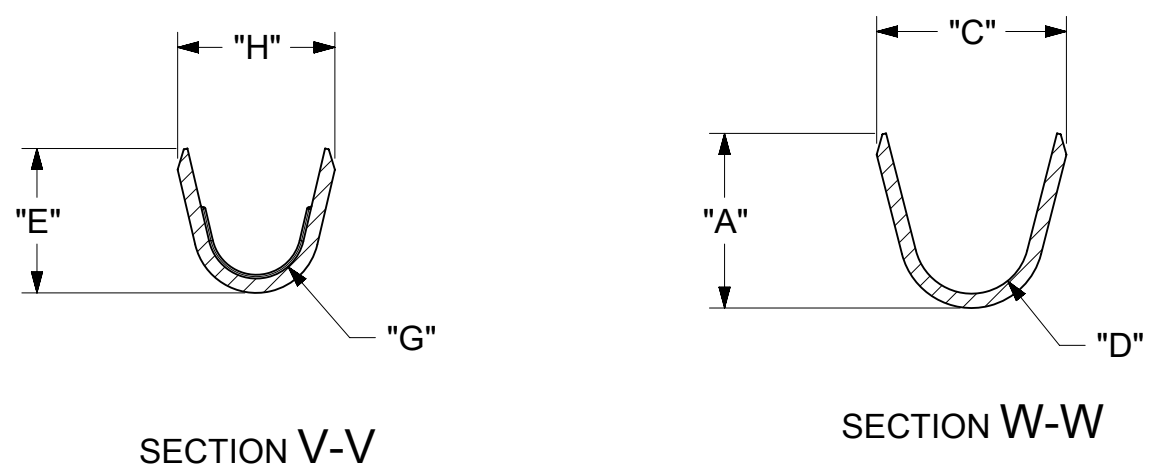


WIRE SIZE	MAX INSULATION	"A" ±.012 ±0.30	"C" ±.012 ±0.30	"D" ±.005 ±0.13	"E" ±.012 ±0.30	"G" ±.005 ±0.13	"H" ±.012 ±0.30
20-24	.073/1.85	.091/2.31	.099/2.51	.030/0.76 R.	.075/1.91	.025/0.64 R.	.082/2.08
26-30	.050/1.27	.075/1.91	.083/2.10	.025/0.64 R.	.058/1.47	.020/0.51 R.	.065/1.65

MATERIAL NUMBER	PLATING	WIRE SIZE	FORM
43030-0051	A	20-24	CHAIN
43030-0052	B	20-24	CHAIN
43030-0053	C	20-24	CHAIN
43030-0056	C	26-30	CHAIN
43030-0059	C	20-24	LOOSE



- NOTES
- 1) MATERIAL: PHOSPHOR BRONZE ALLOY
  - 2) TERMINAL PLATING:  
 "A" - HOT TIN DIP: .000040/0.00102 MIN.  
 "B" - .000015/0.00038 MIN. SELECT GOLD  
 .000100/0.00254 MIN. SELET TIN  
 ALL OVER .000050/0.00127 MIN. NICKEL OVERALL.  
 "C" - .000030/0.00076 MIN. SELECT GOLD  
 .000100/0.00254 MIN. SELECT TIN  
 ALL OVER .000050/0.00127 MIN. NICKEL OVERALL.  
 MATERIAL NUMBERS WITH SELECT PLATING ARE POST PLATED.
  - 3) PRODUCT SPECIFICATION: PS-43045, PS-43650, PS-44300-001.
  - 4) PACKAGING SPECIFICATION: PK-43030-002 (REEL), PK-43030-003 (LOOSE).
  - 5) TERMINAL FOR USE IN A MICRO FIT RECEPTACLE #43025-\*\*\*\*, 43645-\*\*\*\*, or 44133-\*\*\*\*.
  - 6) FOR TERMINAL ORIENTATION IN RECEPTACLE SEE DRAWING #SDA-43025 OR SDA-43645.
  - 7) THIS TERMINAL IS DESIGNED IN METRIC.
  - 8) MOLEX RECOMMENDS THE USE OF MICRO-FIT TEST PLUG (SERIES 44242) WHENEVER CONTINUITY TESTING IS PERFORMED. TEST PLUGS MUST NOT BE USED TO MAKE OR BREAK UNDER LOAD. MOLEX DOES NOT RECOMMEND USING STANDARD MATING COMPONENTS (SERIES 43020, 43045, 43640, 43650, OR 43031) FOR HARNESS TESTING PURPOSES.
  - 9) TEXT ON PART IS FOR REFERENCE ONLY. TEXT AND TEXT LOCATION MAY VARY DEPENDING ON PART NUMBER AND/OR TOOL.

FUNCTIONAL SYMBOLS	THIS DRAWING CONTAINS INFORMATION THAT IS PROPRIETARY TO MOLEX ELECTRONIC TECHNOLOGIES, LLC AND SHOULD NOT BE USED WITHOUT WRITTEN PERMISSION			
	DIMENSION UNITS	SCALE	CURRENT REV DESC: CORRECT 3.52 DIMENSION	
$\frac{E}{A} = 0$	INCH/MM	10:1		
$\frac{E}{C} = 0$	GENERAL TOLERANCES (UNLESS SPECIFIED)			
DIVISIONAL SYMBOLS		MM	INCH	
	4 PLACES	±	±	EC NO: 730513
	3 PLACES	±	± 0.01	DRWN: RICARC13 2022/11/08
	2 PLACES	± 0.25	± 0.014	CHK'D: MKIPPER 2022/12/01
	1 PLACE	± 0.35	±	APPR: XQZHANG 2023/05/04
0 PLACES	±	±	INITIAL REVISION:	
	ANGULAR TOL	± 0.5 °	DRWN: RHOLTS 2004/09/17	2004/09/17
	DRAFT WHERE APPLICABLE MUST REMAIN WITHIN DIMENSIONS	THIRD ANGLE PROJECTION	DRAWING	SERIES
			C-SIZE	43030
DOCUMENT STATUS	P1	RELEASE DATE	2023/05/04 03:48:25	

**molex**

MICRO-FIT (3.0) FEMALE CRIMP TERMINAL, LEAD FREE

PRODUCT CUSTOMER DRAWING

DOCUMENT NUMBER: SD-43030-002

DOC TYPE: PSD

DOC PART: 001

REVISION: C4

MATERIAL NUMBER: SEE CHART

CUSTOMER: GENERAL MARKET

SHEET NUMBER: 1 OF 1