

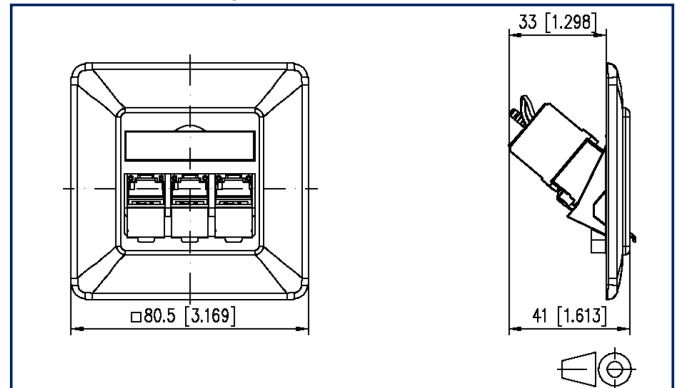
## Data sheet

### C6<sub>A</sub>modul 3 port 180°M UP pure white

## Illustrations



Dimensional drawing



See enlarged drawings at the end of document

## Product specification

Modular wall outlet for the construction of a passive network infrastructure with the highest quality requirements. The junction box is suitable for connecting telephones up to 10 Gbit networks and power supply with PoE with up to 90W. The very robust, nickel-plated zinc die-cast module, which consists of only two parts, can be connected by the installer very easily and in a very short time without any special tools. In addition to the permanent quality control during production, independent test laboratories confirm the very good quality of the individual modules with various certificates. The wall outlets are supplied in retail-friendly, separable cardboard packaging with 10 pieces each.

- variants, mounting type: AP, UP, UPk, UP0
- variants, number of ports: 1, 2, 3

# P | Cabling

Data sheet

Page 2/9

## C6<sub>A</sub>modul 3 port 180°M UP pure white

P/N

130B11D31002-E

EAN 4250184131694

2023/05/02

Version: AG

### Technical Data

#### General Data

|   |  |
|---|--|
| Fields of application                                   | structured building cabling<br>office areas<br>Distributed building services |
| Mechanical measurement according to MICE                | M1   |
| Ingress measurement according to MICE                   | I1   |
| Climatic measurement according to MICE                  | C1   |
| Electromagnetic measurement according to MICE           | E2   |
| Design  | wall outlet  |
| Mounting style  | UP   |
| Mounting in standard flush-mounted and cavity wall cups | no   |
| Shielding   | shielded   |
| Transmission technology                                 | Copper   |
| Wiring  | T568A, T568B   |
| Color   | Pure white RAL 9010  |
| Compatible with design centerpieces of switch programs  | minor limitation, see compatibility list                                     |
| Dimensions  |  |
| Dimension (L x W x H)                                   | 41 mm x 80.5 mm x 80.5 mm  |
| Dimension (L x W x H)                                   | 1.614 in. x 3.169 in. x 3.169 in.  |
| Modularity  | yes  |
| Labeling option   | label window with identification label                                       |
| Marking option  | by dust protection   |

#### Transmission characteristics

|                 |                |
|-----------------|----------------|
| Category (ISO)  | 6 <sub>A</sub> |
| Class (ISO/IEC) | E <sub>A</sub> |
| Category (TIA)  | 6A             |
| Remote Powering | yes            |
| PoE             | IEEE 802.3af   |
| PoE plus        | IEEE 802.3at   |
| UPoE            | yes            |
| 4PPoE           | IEEE 802.3bt   |
| HDBaseT         | yes            |

# P | Cabling

Data sheet

Page 3/9

## C6<sub>A</sub>modul 3 port 180°M UP pure white

P/N

130B11D31002-E

EAN 4250184131694

2023/05/02

Version: AG

### Technical Data

| Transmission characteristics                     |   |
|--|---|
| SAT-IP   | yes   |
| AVoverIP   | yes   |
| Transmission rate up to 100 MBit (Fast Ethernet) | IEEE 802.3bw                                  |
| Transmission rate up to 1 GBit (Fast Ethernet)   | IEEE 902.3ab                                  |
| Transmission rate up to 10 GBit                  | IEEE 802.3an                                  |
| Connections/interfaces                           |   |
| Connector technology interface 1                 | IDC-connection                                |
| Connector technology interface 2                 | RJ45-jack                                     |
| Number of ports interface 2                      | 3   |
| Number of positions/contacts interface 1         | 3 x 8   |
| Number of positions/contacts interface 2         | 3 x 8P/8C                                     |
| Number of ports with dust protection interface 2 | 3   |
| Termination data, solid wire (min. - max.)       |   |
| Conductor cross section, solid wire              | AWG 26/1 - AWG 22/1                           |
| Conductor cross section, solid wire              | 0.128 mm <sup>2</sup> - 0.324 mm <sup>2</sup> |
| Conductor diameter, solid wire (bare copper)     | 0.409 mm - 0.643 mm                           |
| Conductor diameter, solid wire (bare copper)     | 0.016 in. - 0.025 in.                         |
| Termination data, stranded wire (min. - max.)    |   |
| Conductor cross section, stranded wire           | AWG 26/7 - AWG 22/7                           |
| Conductor cross section, stranded wire           | 0.141 mm <sup>2</sup> - 0.355 mm <sup>2</sup> |
| Conductor diameter, stranded wire (bare copper)  | 0.483 mm - 0.762 mm                           |
| Conductor diameter, stranded wire (bare copper)  | 0.019 in. - 0.03 in.                          |
| Cable sheath diameter (min. - max.)              |   |
| Cable sheath diameter                            | 5.5 mm - 10                                   |
| Cable sheath diameter                            | 0.197 in. - 0.394                             |
| Module plug-in direction                         | 45° downwards                                 |
| Cable access/outlet                              | 180°  |
| Ground connection                                | Via M4 thread (screw not included!)           |
| Shield connection                                | flexible contact spring                       |

# P | Cabling

Data sheet

Page 4/9

## C6<sub>A</sub>modul 3 port 180°M UP pure white

P/N

130B11D31002-E

EAN 4250184131694

2023/05/02

Version: AG

### Technical Data

#### Elektrische/ Optische Eigenschaften

|   |                   |
|---|-------------------|
| Current carrying capacity                                       | max. 1 A at 60 °C |
| Rated voltage   | max. 60 V DC      |
| Rated voltage UL  | max. 56.5 V DC    |
| Contact resistance  | max. 20 mOhm      |
| Through resistance  | max. 200 mOhm     |
| Insulation resistance   | min. 500 MOhm     |
| Dielectric strength conductor-conductor (secondary)             | max. 1000 V DC    |
| Dielectric strength conductor-conductor, peak value (secondary) | max. 1.000 V AC   |
| Dielectric strength conductor-shield                            | max. 1500 V DC    |
| Dielectric strength conductor-shield, peak value                | max. 1500 V AC    |

#### Mechanical data

|  |               |
|--|---------------|
| Cut-out  | module        |
| Insertion and withdrawal force                               | max. 30 N     |
| Life - Number of mating cycles                               | min. 750      |
| Position/mounting of latch<br>standard installation position | top           |
| strain relief  | latching clip |

#### Materials and material properties

|                             |                       |
|-----------------------------|-----------------------|
| Material - Housing          | Plastics              |
| Material - Cover part(s)    | ABS                   |
| Material - Supporting frame | GD-Zn (zinc die-cast) |
| Material - Module support   | GD-Zn (zinc die-cast) |
| Material - Label window     | ABS, transparent      |
| Material - Dust protection  | ABS                   |
| Material - Contact          | Spring steel          |
| Material - Contact finish   | AuCo                  |
| Material - Shield           | CuSn6                 |
| Material - Shield finish    | tinned                |
| Material - Stuffer cap      | PA 6.6 UL94 V0        |
| Material - Strain relief    | PA 6.6 UL94 V0        |
| Halogen free                | yes                   |
| RoHS                        | compliant             |

# P | Cabling

Data sheet

Page 5/9

## C6<sub>A</sub>modul 3 port 180°M UP pure white

P/N

130B11D31002-E

EAN 4250184131694

2023/05/02

Version: AG

### Technical Data

#### Environmental conditions

Temperature (min. - max.)

|                            |                 |
|----------------------------|-----------------|
| Temperature - Storage °C   | -40 °C - 70 °C  |
| Temperature - Storage °F   | -40 °F - 158 °F |
| Temperature - Operating °C | -40 °C - 70 °C  |
| Temperature - Operating °F | -40 °F - 158 °F |
| IP class                   | IP20            |

#### Certifications

GHMT PVP



yes

#### Standards/Regulations

Generic cabling systems

|   |   |
|---|---|
| General requirements  | ISO/IEC 11801-1:2017-11   DIN EN 50173-1:2018-10<br>ANSI/TIA-568.2-D        |
| Office buildings  | ISO/IEC 11801-2:2017-11   DIN EN 50173-2:2018-10<br>ANSI/TIA-568.2-D        |
| Living units  | ISO/IEC 11801-4:2017-11   DIN EN 50173-4:2018-10<br>ANSI/TIA-570-D          |
| Distributed building services   | ISO/IEC 11801-6:2017-11   DIN EN 50173-6:2018-10<br>ANSI/TIA-862-B          |
| Connectors for electronic equipment   |   |
| Free and fixed connectors   | DIN EN 60603-7-51:2011-01, DIN EN 60603-7:2019-11, DIN EN 60603-7-1:2012-01 |
| Connectors for electronic equipment - Tests and measurements                            |   |
| Test standard for connectors (engaging and separating connectors under electrical load) | DIN-EN 60512-99-001, DIN-EN 60512-99-002                                    |
| Endurance tests   | DIN EN 60603-7:2019-11, DIN EN 60603-7-1:2012-01                            |
| Degrees of Protection Provided by Enclosures  | IEC 60529   |
| Climate tests   | DIN EN 60603-7:2019-11, DIN EN 60603-7-1:2012-01                            |
| Cover plates for installation devices 1   | DIN 49075-1:1989-10   |
| Cover plates for installation devices 2   | DIN 49075-2:1989-10   |

# P | Cabling

Data sheet

Page 6/9

## C6<sub>A</sub>modul 3 port 180°M UP pure white

P/N

130B11D31002-E

EAN 4250184131694

2023/05/02

Version: AG

### Technical Data

#### Classifications

|          |          |
|----------|----------|
| ETIM 5.0 | EC001264 |
| ETIM 6.0 | EC001264 |
| ETIM 7.0 | EC001264 |
| ETIM 8.0 | EC001264 |
| ETIM 9.0 | EC001264 |

#### Packing details

|                                 |                                   |
|---------------------------------|-----------------------------------|
| Type of packaging               | 10 pc(s) / box                    |
| Packaging unit - Weight (gram)  | 1584 g                            |
| Packaging unit - Weight (pound) | 3.49 lb                           |
| Packaging dimension             | 235 mm x 165 mm x 135 mm          |
| Packaging dimension             | 9.252 in. x 6.496 in. x 5.315 in. |



# P | Cabling

Data sheet

Page 7/9

## C6<sub>A</sub>modul 3 port 180°M UP pure white

P/N

130B11D31002-E

EAN 4250184131694

2023/05/02

Version: AG

### Accessories

| P/N           | Designation  |
|---------------|--|
| 130829-4302-I | Surface mount frame 85 x 85 x 43 mm - single, pure white                                       |
| 1308895010-I  | T-Slot mounting bracket for wall outlets - horizontal mounting 50 mm, without separation cup   |
| 1308895011-I  | T-Slot mounting bracket for wall outlets - horizontal mounting 50 mm, with separation cup      |
| 1308895020-I  | DIN Rail mounting bracket for wall outlets - horizontal mounting 50 mm, without separation cup |
| 1308895021-I  | DIN Rail mounting bracket for wall outlets - horizontal mounting 50 mm, with separation cup    |
| 1308895040-I  | T-Slot mounting bracket for wall outlets - vertical mounting 50 mm, without separation cup     |
| 1308895041-I  | T-Slot mounting bracket for wall outlets - vertical mounting 50 mm, with separation cup        |
| 1308895220-I  | DIN rail mounting bracket for wall outlets - horizontal mounting 52 mm, without separation cup |
| 1308895221-I  | DIN rail mounting bracket for wall outlets - horizontal mounting 52 mm, with separation cup    |
| 1308895510-I  | T-Slot mounting bracket for wall outlets - horizontal mounting 55 mm, without separation cup   |
| 1308895511-I  | T-Slot mounting bracket for wall outlets - horizontal mounting 55 mm, with separation cup      |
| 1308895520-I  | DIN rail mounting bracket for wall outlets - horizontal mounting 55 mm, without separation cup |
| 1308895521-I  | DIN rail mounting bracket for wall outlets - horizontal mounting 55 mm, with separation cup    |
| 1308895540-I  | T-Slot mounting bracket for wall outlets - vertical mounting 55 mm, without separation cup     |
| 1308895541-I  | T-Slot mounting bracket for wall outlets - vertical mounting 55 mm, with separation cup        |
| 130889ADTK-I  | Mounting bracket ADTK for OBO  |
| 130889ADTSA-I | Mounting bracket ADTSA for OBO   |
| 130889FKH-I   | Mounting bracket FR for Kleinhuis  |
| 130889FNI-I   | Mounting bracket FR for Niedax   |
| 130889FTE-I   | Mounting bracket FR for Tehalit  |
| 820394-0105-I | Dust protection covers for wall outlets yellow   |
| 820394-0106-I | Dust protection covers for wall outlets blue   |
| 820394-0107-I | Dust protection covers for wall outlets green  |
| 820394-0108-I | Dust protection covers for wall outlets red  |

# P | Cabling

Data sheet

Page 8/9

## C6<sub>A</sub>modul 3 port 180°M UP pure white

P/N

130B11D31002-E

EAN 4250184131694

2023/05/02

Version: AG

### Accessories

820395-0102-I

Cover plate 80 x 80 mm, pure white, module

899650-01

Label sheet for wall outlets





# P | Cabling

Data sheet

Page 9/9

## C6<sub>A</sub>modul 3 port 180°M UP pure white

P/N

130B11D31002-E

EAN 4250184131694

2023/05/02

Version: AG

### Illustrations

Dimensional drawing

