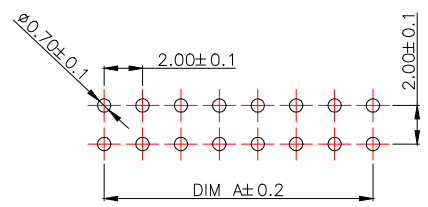
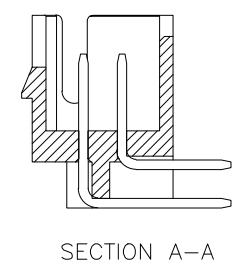
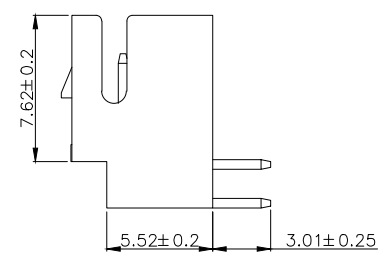
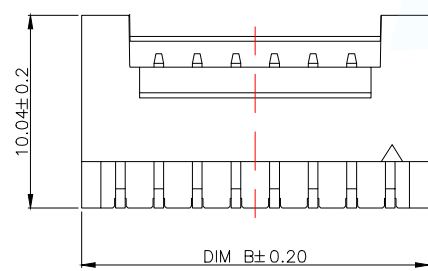
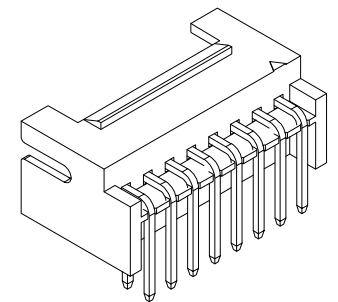


- 技术要求:
- 1、塑件材料: LCP (UL-94V-0)
 - 2、接触件: 黄铜镀锡
 - 3、接触电阻: $\leq 30m\Omega$
 - 4、绝缘电阻: $\geq 1000M\Omega$
 - 5、额定电压: 250V AC DC
 - 6、额定电流: 3.0A AC DC
 - 7、耐压: 能承受1000V AC/Minute
 - 8、工作温度: $-25^{\circ}\sim\sim+85^{\circ}$
 - 9、可焊性试验: 浸锡面积 $\geq 95\%$ 温度 $250^{+0.5}_0$.时间 2.5 ± 0.5 秒.
 - 10、铅和镉等六大有害物质含量要符合环保要求

Part No	Pin	A	B	c
WAFER-PHB2.0-2*3PWZ	6	4.00	8.00	6.90
WAFER-PHB2.0-2*4PWZ	8	6.00	10.00	8.90
WAFER-PHB2.0-2*5PWZ	10	8.00	12.00	10.90
WAFER-PHB2.0-2*6PWZ	12	10.00	14.00	12.90
WAFER-PHB2.0-2*7PWZ	14	12.00	16.00	14.90
WAFER-PHB2.0-2*8PWZ	16	14.00	18.00	16.90
WAFER-PHB2.0-2*9PWZ	18	16.00	20.00	18.90
WAFER-PHB2.0-2*10PWZ	20	18.00	22.00	20.90
WAFER-PHB2.0-2*11PWZ	22	20.00	24.00	22.90
WAFER-PHB2.0-2*12PWZ	24	22.00	26.00	24.90
WAFER-PHB2.0-2*13PWZ	26	24.00	28.00	26.90
WAFER-PHB2.0-2*14PWZ	28	26.00	30.00	28.90
WAFER-PHB2.0-2*15PWZ	30	28.00	32.00	30.90



SUGGESTED PCB LAYOUT (COMPONENT SIDE)



MANUFACTURE DWG		东莞市讯普电子科技有限公司 DongGuan XunPu Electronics Co.,Ltd	
UNLESS OTHERWISE SPECIFIED TOLERANCES			TITLE: 压接式连接器
			PAR WAFER-PHB2.0-NPWZ
DECIMALS:	ANGLES:		DWN
0.X ± 0.25	X.' ± 3°		CHKD
0.XX ± 0.12	X.X' ± 0.5°	APVD	SCALE:1:1 UNIT:MM
0.XXX ± 0.05		CUSTOMER COPY	SIZE:A4 SHEET:1F1 REV:A