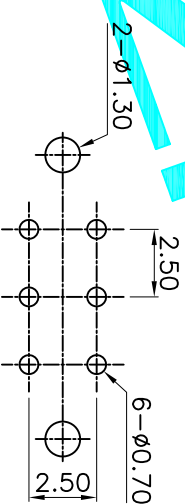
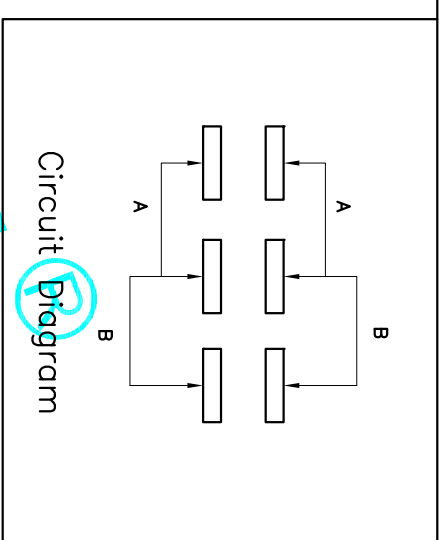
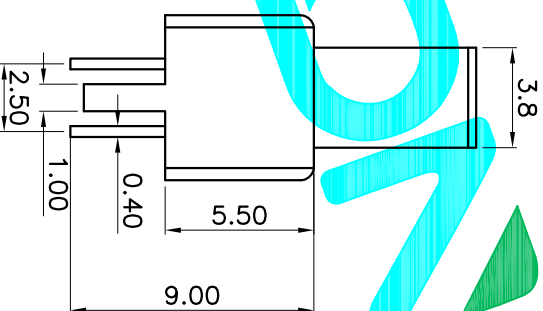
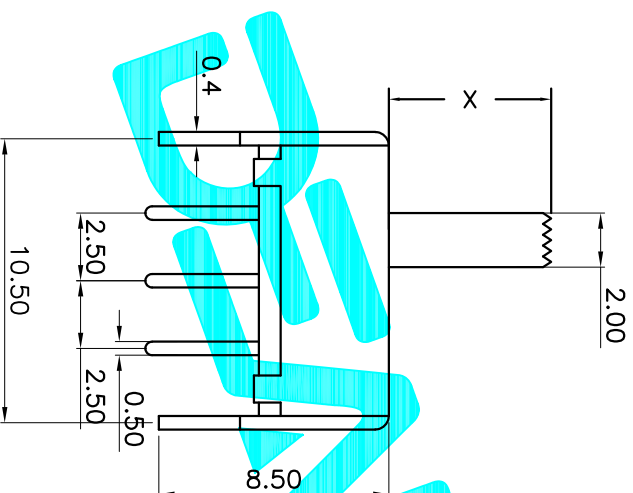


X	
PART NO	vigor
2	G2
3	G3
4	G4
5	G5
6	G6
7	G7
8	G8



P.C.B Layout

⑥	Contact	1	Brass Strip	Ag Plated
⑤	Spring	1	Steel Wire	Temper
④	Terminal	6	Brass Strip	Ag Plated
③	Base	1	Phenolic Resin	Natural
②	Frame	1	Steel Strip	Ni Plated
①	Knob	1	POM	Black
ITEM	PART NAME	QTY.	MATERIAL	FINISHING

APPROVALS		DATE	ELECTRONICS CO.,LTD	
DRAWN	G.M.Chen	2014/12/22	VERTICAL SLIDE SWITCHES	
CHECKED			SS-22E01-G	
APPROVALS			SHEET 1 OF 1	
TOLERANCES ARE			PROJ.	
	30 ^{+0.15}	±0.30		
	10 ^{+0.10}	±0.20		
	5 ^{+0.10}	±0.15		
	~5	±2'		
ECN NO.	REV.	DATE.	DESCRIPTION.	
	A		NEW	
CHANGE.	CHECK.	APPRO.		