


SIGN	DATE	DESCRIPTION	APPROVER
△	06/15'11	Add "cULus" Safety Approval logo	Aaron
△	06/15'11	The mark 5.08 is added	Aaron

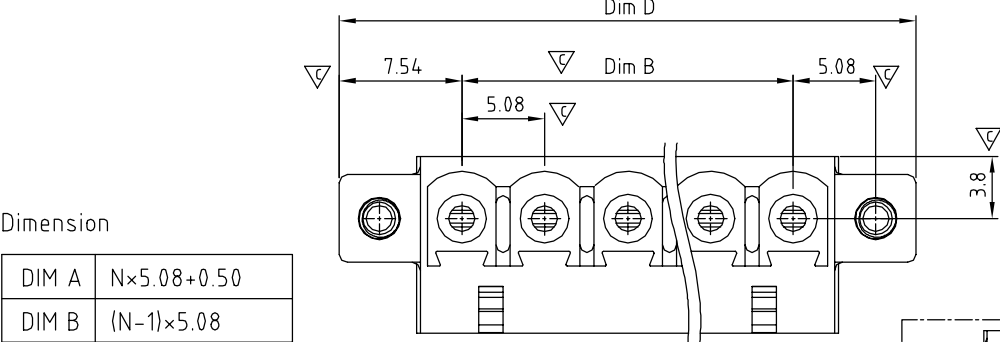
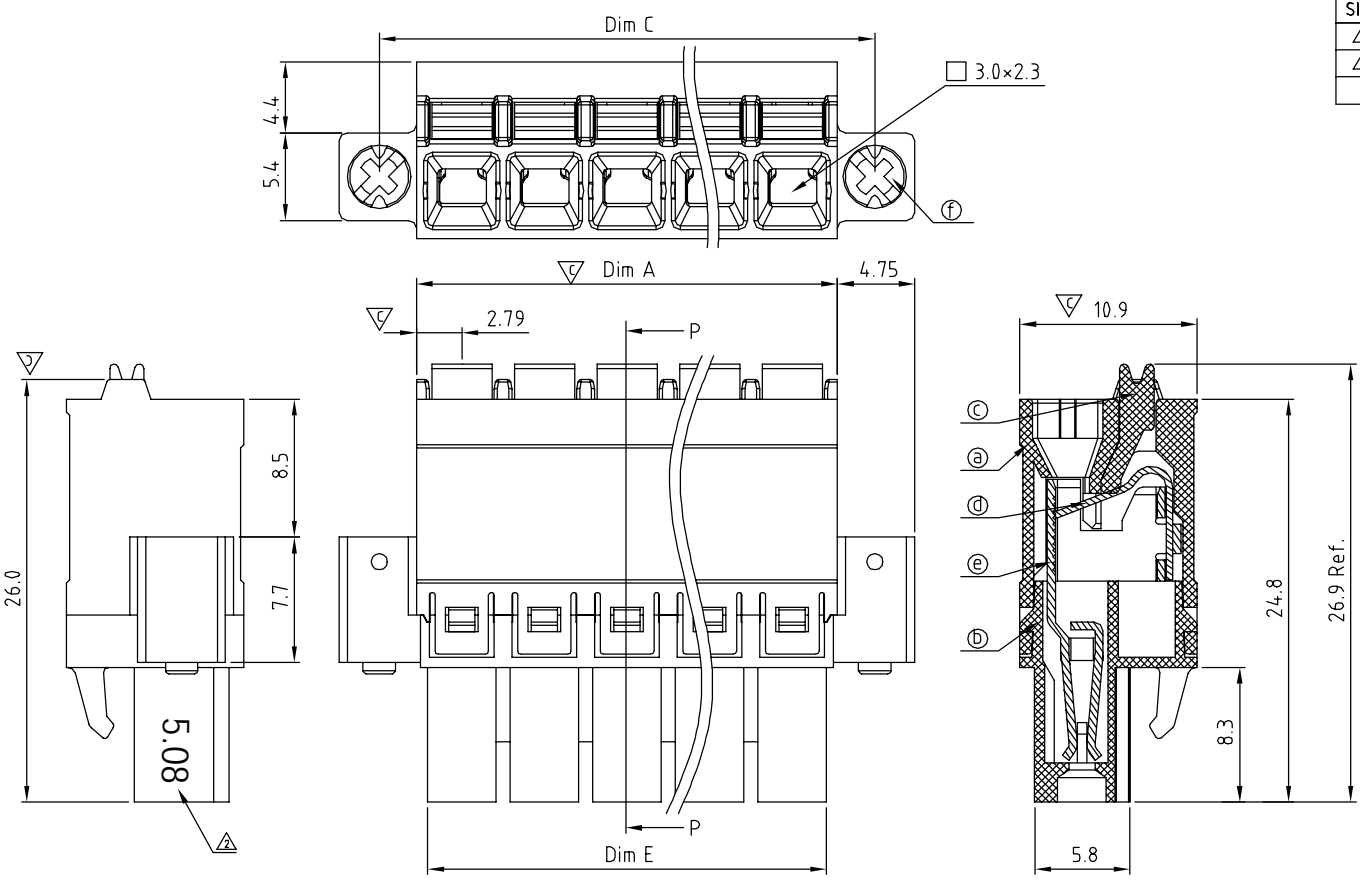
THIS IS CAD DRAWING, DO NOT REVISE MANUALLY!!!

- Material:
- Item a Terminal(Up housing): Thermoplastic (UL94V-0)
 - Item b Terminal(Down housing): Thermoplastic (UL94V-0)
 - Item c Terminal(Lever): Thermoplastic (UL94V-0)
 - Item d Spring clamp: Stainless steel
 - Item e Female contact: PhBz Tin Plated.
 - Item f With flange screw:Steel Zinc plating M2.5"+/-" slot type

- Electrical: cULus
- Voltage rating: 300 V
 - Current rating: 12 A
 - Wire range:
 - Solid wire(AWG): 14-24
 - Stranded wire(AWG): 14-24
 - Wire strip length: 11-12 mm
 - Withstanding Voltage: 1.6 KV
 - Operating temperature: -40°C to +115°C
 - Safety Approval: 
 - Critical dimension:

KD xx 5 0 x 1 xxxx G

- No. OF POLES
 02: 2 POLES
 03: 3 POLES
 :
 24: 24 POLES
- COLOR
 0 Black (RAL9005)
 2 Red (RAL3001/D)
 3 Orange(RAL2011/P)
 4 Yellow(RAL1018/A)
 5 Green(RAL6018/T)
 6 Blue (RAL5015/A)
 8 Grey(RAL7035/D)
 9 White(RAL1102)
 C Green(RAL6018/U)
- G: Pb<40000ppm
 0000: "@ " Logo (Standard)
 000A: "ANYTEK" Mark
 Any special item by customer request. please contact sales department.

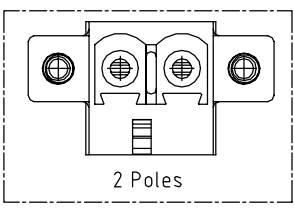


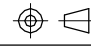
Dimension

DIM A	$N \times 5.08 + 0.50$
DIM B	$(N-1) \times 5.08$
DIM C	$(N-1) \times 5.08 + 10.16$
DIM D	$(N-1) \times 5.08 + 15.08$
DIM E	$(N-1) \times 5.08 + 4.20$

N=Number of poles

	TOL			
	2p-6p	7p-12p	13p-18p	19p-24p
Dim A	±0.15	±0.25	±0.35	±0.40
Dim B	±0.15	±0.25	±0.35	±0.40



ANYTEK				CUSTOMER COPY			
ALL RIGHTS RESERVED. REPRODUCTION OR ISSUE TO THIRD PARTIES IN ANY FORM WHATSOEVER IS NOT PERMITTED WITHOUT WRITTEN AUTHORITY FROM THE PROPRIETOR. PROPERTY OF ANYTEK TECHNOLOGY CO., LTD							
TITLE		KD 5.08mm With flange Series (2P-24P)					
PART NO.		KDxx50x1xxxxG			DWG NO.		8KD0203
APPROVED		CHECKED	DESIGNED	DRAWN	CUST NO.		Tolerance
			Aaron 2011.06.15	Jacke 2009.08.26			X. ±0.50 X.X ±0.30 X.XX ±0.10 X° ±1°
						UNIT: mm	
				SHEET: 01/01		SCALE: NONE	
						REV.: C	