

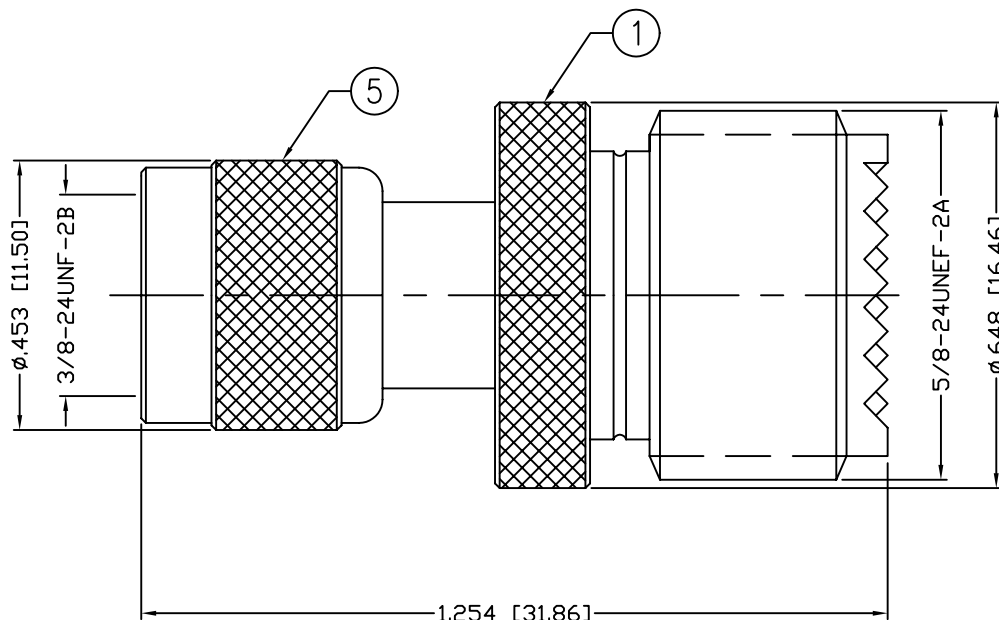
THIS DRAWING CONTAINS INFORMATION PROPRIETARY TO RF INDUSTRIES,  
 ANY UNAUTHORIZED USE OF THIS DRAWING IS EXPRESSLY PROHIBITED  
 WITHOUT WRITTEN PERMISSION FROM RF INDUSTRIES.  
 ANY VIOLATION IS PUNISHABLE UNDER U.S. COPYRIGHT LAWS.

ALL DIMENSIONS ARE REFERENCE ONLY

PART NO.

**RFU-621**

REV	DESCRIPTION	DWN	DATE	APPROVED
E	REVERSE ORDER OF PIN DIMENSIONS	KMM	3/17/95	R. RICE
F	NO CHG \ BODY & SHELL NOW IN SEPARATE VIEWS	KMM	1/21/98	R. RICE
G	REMOVE P/N FROM CONN / UPDATE SPECS	CZS	5/4/99	R. RICE
H	CHANGE TO ONE BAND KNURL / UPDATE DWG FORMAT	CZS	03/13/01	JDMc



**SPECIFICATIONS:**

IMPEDANCE: NON CONSTANT  
 FREQUENCY RANGE: 0-300 MHz  
 WORKING VOLTAGE: 335 V rms max. @ sea level

1	BODY	1	BRASS	NICKEL, 80 μ"	000486	
2	CONTACT	1	BRASS	GOLD, 3 μ"		
3	INSULATOR	1	PTFE	---		
4	INSULATOR	1	PTFE	---		
5	SHELL	1	BRASS	NICKEL, 80 μ"		
6						
7						
8						
9						
10					DRAWN	
11					C. ZUNIGA	9/24/04
12					CHECKED	
13					ORJ DRAWN	
14					C. ZUNIGA	10/29/92
#	DESCRIPTION	QTY	MATERIAL	FINISH	APPROVALS	DATE

UNLESS OTHERWISE SPECIFIED:

DIMENSIONS ARE IN INCHES  
 AND [MILLIMETERS]  
 UNLESS OTHERWISE NOTED  
 TOLERANCES ARE:

DECIMALS      DIAMETER

**RFconnectors**  
 DIVISION OF RF INDUSTRIES, LTD.

7610 MIRAMAR RD  
 SAN DIEGO, CA 92126  
 (858) 549-6340  
 (858) 549-6345 FAX

**MINI HUF PLUG  
 UHF JACK ADAPTER**

SIZE	CABLE GROUP	DWG NO.	REV
A	N/A	RFU-621	H
SCALE:	NTS	CAD FILE	OUTLINE
		SHEET	1 OF 1