

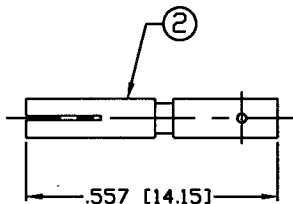
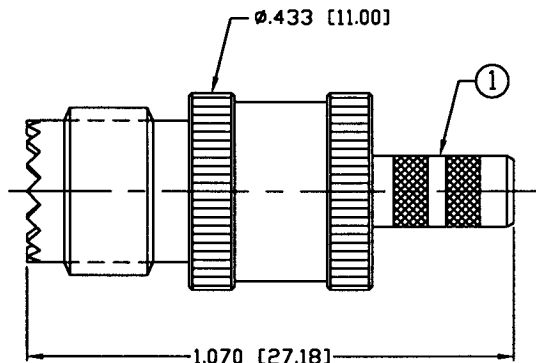
THIS DRAWING CONTAINS INFORMATION PROPRIETARY TO RF INDUSTRIES.
 ANY UNAUTHORIZED USE OF THIS DRAWING IS EXPRESSLY PROHIBITED
 WITHOUT WRITTEN PERMISSION FROM RF INDUSTRIES.
 ANY VIOLATION IS PUNISHABLE UNDER U.S. COPYRIGHT LAWS.

ALL DIMENSIONS ARE REFERENCE ONLY

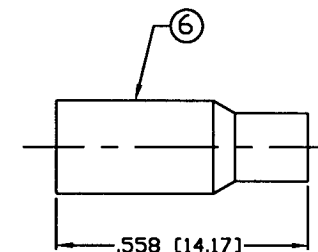
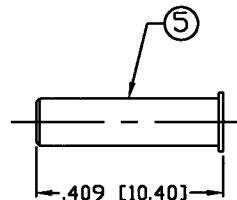
PART NO.

RFU-601-3

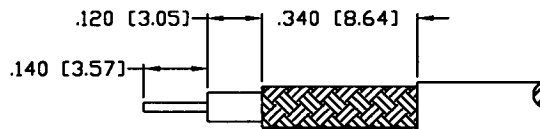
REV	DESCRIPTION	DWN	DATE	APPROVED
D	CHG DIE CONFIG, FERRULE STUD ID, FERRULE OD & BODY ID	CZS	7/16/99	R. RICE
E	CHG INSULATOR, CONTACT, FERRULE STUD & INSERT OD/LEN	CZS	3/1/00	R. RICE
F	CHANGE INSULATOR & CONTACT	CZS	3/3/00	JDMc
G	CHG TO ST. KNURL, 2 BAND KNURL ON F/S	GGG	4/3/02	JDMc



RECOMMENDED
CRIMP DIE: .068"



RECOMMENDED
CRIMP DIE: .130" & .178"



RECOMMENDED
STRIPPING DIMENSIONS

SPECIFICATIONS:

IMPEDANCE: 50 Ohms
 FREQUENCY RANGE: 0-2.5 GHz
 VSWR: 1.25 MAX.
 WORKING VOLTAGE: 335 V rms Max. @ Sea Level
 INSULATION RESISTANCE: 5k M Ohms min.
 TEMPERATURE RANGE: -65°C TO 165°C
 FOR RG-174, 188, 188A, 316/U, ALPHA 9174, 9316,
 BELDEN 8216, 83269, 83284, 84316 & TIMES LMR-100A CABLE

1	BODY	1	BRASS	NICKEL, 100μ"
2	CONTACT	1	BRASS	GOLD, 3μ"
3	DIELECTRIC	1	PTFE	---
4	WASHER	1	BRASS	NICKEL, 100μ"
5	INSERT	1	BRASS	NICKEL, 100μ"
6	FERRULE	1	BRASS	NICKEL, 100μ"
7				
8				
9				
10				
11				
12				
13				
14				
#	DESCRIPTION	QTY	MATRL	FINISH

000486	
DRAWN	G. GALLEGOS
CHECKED	JDMc
ORJ DRAWN	S. SMITH
DATE	4/3/02
DATE	5/10/90
APPROVALS	

UNLESS OTHERWISE SPECIFIED:

- REMOVE ALL BURRS
- BREAK ALL CORNERS & EDGES .005 R. MAX.
- CHAMFER 1ST & LAST THREADS 45°
- SURFACE ROUGHNESS 63 FINISH MIL-STD-10
- DIAMETERS ON COMMON CENTERS TO BE CONCENTRIC WITHIN .002 T.I.R.
- ALL DIMENSIONS ARE AFTER PLATING.

DIMENSIONS ARE IN INCHES AND [MILLIMETERS]
 UNLESS OTHERWISE NOTED TOLERANCES ARE:

DECIMALS	DIAMETER
.xxx±.003 [.08]	.xxx±.001 [.03]
.xx±.005 [.13]	.xx±.003 [.08]

RF connectors
 DIVISION OF RF INDUSTRIES, LTD.

7610 MIRAMAR RD
 SAN DIEGO, CA 92126
 (858) 549-6340
 (858) 549-6345 FAX

MINI UHF JACK, CRIMP

SIZE	CABLE GROUP	DWG NO.	REV
A	B	RFU-601-3	G
SCALE: NTS		CAD FILE OUTLINE	SHEET 1 OF 1