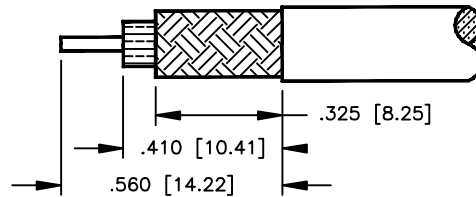
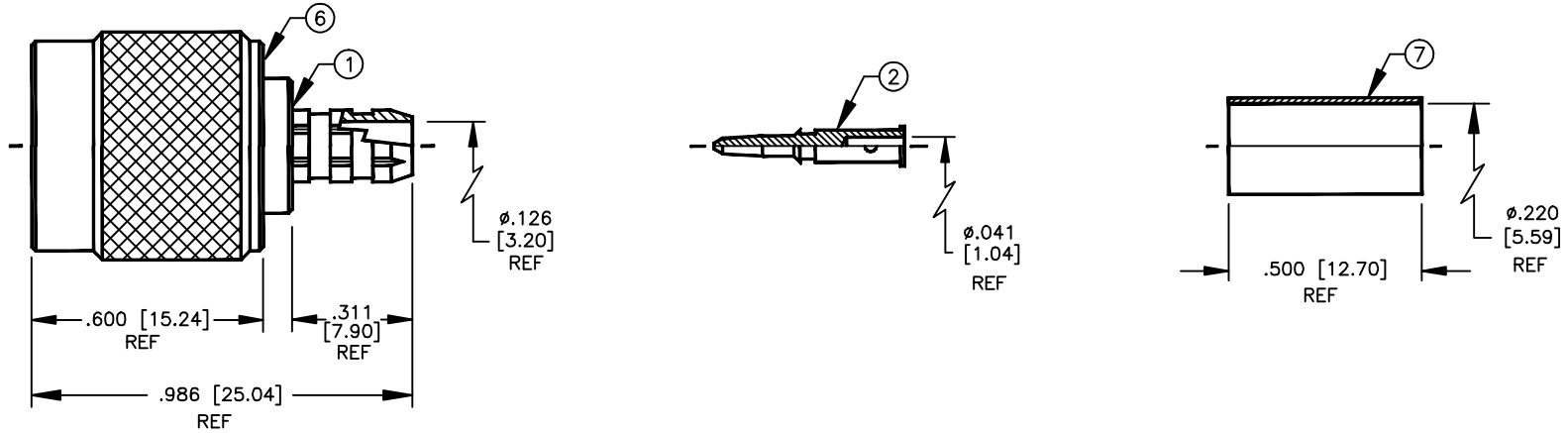


# SPECIFICATION CONTROL DRAWING

THIS DRAWING CONTAINS INFORMATION PROPRIETARY TO RF INDUSTRIES, LTD. ANY UNAUTHORIZED USE OF THIS DRAWING IS EXPRESSLY PROHIBITED. ANY VIOLATION IS PUNISHABLE UNDER U.S. COPYRIGHT LAWS.

REV	DESCRIPTION	DWN	DATE	APPROVED
A1	ENGINEERING RELEASE	PB	12/14/92	J. BENZ
B1	ADD INTERFACE DIMENSIONS / RPLS DWG #7687	PB	3/25/93	J. BENZ
C	CHANGE FERRULE DIMENSIONS	KMM	12/8/93	C. JONES
D	SEPARATE BODY FOR DIMENSIONS	KMM	7/16/97	R. RICE



SUGGESTED STRIPPING INSTRUCTIONS  
SUGGESTED CRIMP DIES: .068 & .213

## SPECIFICATIONS:

IMPEDANCE: 50 OHMS  
WORKING VOLTAGE: 500 VRMS @ SEA LEVEL  
FREQUENCY RANGE: 0-7 GHz  
INSERTION LOSS: < -.2 dB @ 3 GHz  
VSWR MAX: 1.3:1 @ 3 GHz  
FOR RG-58, 58A, 58C, 141, 141A, 400/U, BELDEN 8240, 8259, 8262, 9201, 9203, 9310, 9311, COMM/SCOPE 0268 & CUSHCRAFT ULTRALINK TL92463E

DIMENSIONS ARE IN INCHES AND [MILLIMETERS]

UNLESS OTHERWISE NOTED TOLERANCES ARE:

DECIMALS DIAMETER

DRAWN K. MAXWELL 7/16/97

CHECKED

ORJ DRAWN P. BREAUX 12/14/92

APPROVALS DATE

**RF connectors**  
DIVISION OF RF INDUSTRIES, LTD.

7610 MIRAMAR RD  
SAN DIEGO, CA 92126  
(619)549-6340  
(619)549-6345 FAX

## RFT-1202-2B

TNC MALE CRIMP

SIZE	CABLE GROUP	DWG NO.	REV
A	C	8007	D
SCALE: 2:1		CAD FILE 13ARC B	SHEET 1 OF 1

ITEM	DESCRIPTION	QTY	MATERIAL	FINISH
7	FERRULE	1	BRASS	BLK CHROME
6	SHELL	1	BRASS	BLK CHROME
5	RETAINING RING	1	BRASS	NONE
4	GASKET	1	S.I. RUBBER	RED
3	DIELECTRIC	1	DELTRIN	NONE
2	CONTACT [CON-302-12]	1	BRASS	GOLD
1	BODY	1	BRASS	BLK CHROME