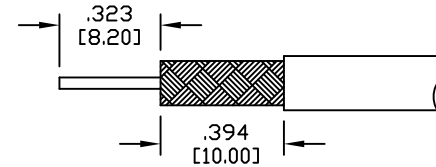
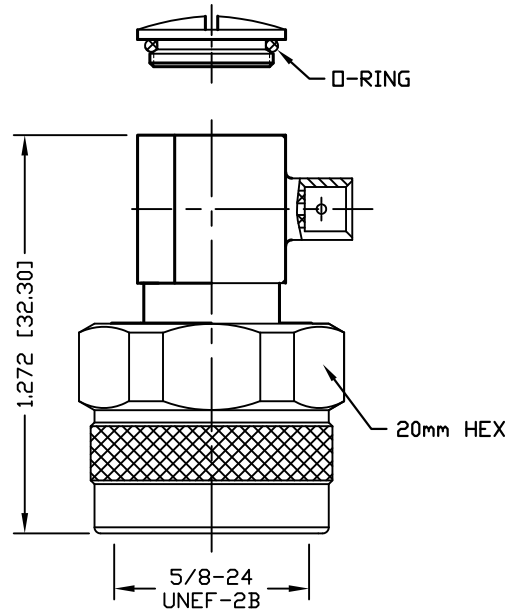


PART NO.

RFN-1009-SR2LP

REV	DESCRIPTION	DWN	DATE	APPROVED
A	CHANGED SCREW CAP	CZS	04/14/21	JDMc



RECOMMENDED STRIPING DIMENSIONS

SPECIFICATIONS:

INTERFACE: IEC 61169-16

IMPEDANCE: 50 Ohms

FREQUENCY RANGE: 0-6 GHz

RETURN LOSS: 26 dB DC-2000 MHz

RETURN LOSS: 20 dB 2000-3000 MHz

RETURN LOSS: 18 dB 3000-6000 MHz

VSWR: <1.2:1 0-3 GHz / <1.3:1 3-6 GHz

3rd ORDER IM: ≤-155 dBc @ 700 MHz & 1900 MHz

3rd ORDER IM TEST METHOD: 2x43 dBm CARRIERS

TEMPERATURE RANGE: -55°C TO 90°C

MATING TORQUE: 5 Nm

MATING CYCLES: >500

NET WEIGHT: 0.09 lb

CERTIFICATIONS: RoHS

ENVIRONMENTAL: IP68 MATED

USED ON: RG-402/U, TFT-402-LF, TFLEX-402, 1673A, SS402,
EZ-FLEX-402

9	SHELL	1	BRASS	CuSnZn
8	SCREW CAP	1	BRASS	CuSnZn
7	GASKET	1	RUBBER	RED
6	INSERT	1	PTFE	NATURAL
5	RETAINING RING	1	Be.Cu.	CuSnZn
4	PRESS BODY	1	BRASS	CuSnZn
3	PIN	1	BRASS	SILVER
2	INSULATOR	1	PTFE	NATURAL
1	BODY	1	BRASS	CuSnZn
#	DESCRIPTION	QTY	MATERIAL	FINISH

CUSTOMER
OUTLINE DRAWINGALL DIMENSIONS
ARE REFERENCE ONLYUNLESS OTHERWISE SPECIFIED:
DIMENSIONS ARE IN INCHES
AND [MILLIMETERS]DRAWN
C. ZUÑIGA 04/14/21

CHECKED

ORJ DRAWN
C. ZUÑIGA 03/10/15**RoHS
COMPLIANT**

PROPRIETARY AND CONFIDENTIAL

THIS DRAWING CONTAINS
INFORMATION PROPRIETARY TO
RF INDUSTRIES, ANY
UNAUTHORIZED USE OF THIS
DRAWING IS EXPRESSLY
PROHIBITED WITHOUT WRITTEN
PERMISSION FROM RF
INDUSTRIES. ANY VIOLATION IS
PUNISHABLE UNDER U.S.
COPYRIGHT LAWS.**RFconnectors**
DIVISION OF RF INDUSTRIES, LTD.RFINDUSTRIES.COM
7610 MIRAMAR RD.
SAN DIEGO, CA 92126
(858) 549-6340
(858) 549-6345 FAX**N PLUG SOLDER**

RIGHT ANGLE

DWG #

RFN-1009-SR2LP

CABLE GROUP	CONTROL #	SCALE	FORMAT	SHEET	REVISION
SR2	000000	NTS	A	1 OF 1	A