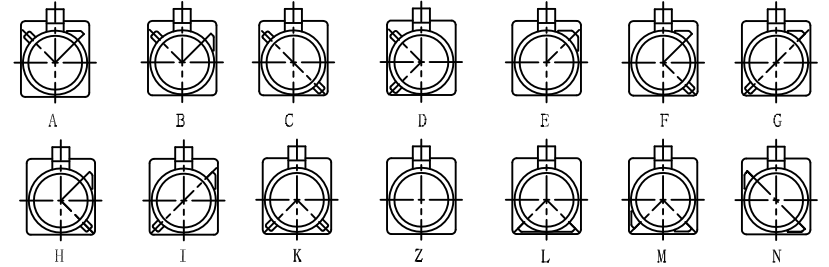
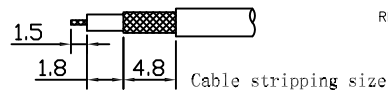
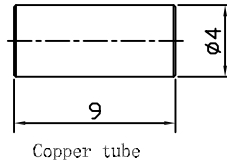
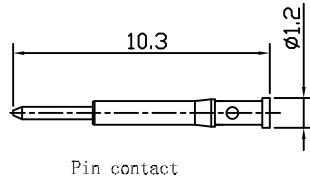
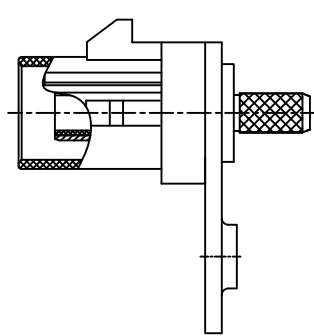
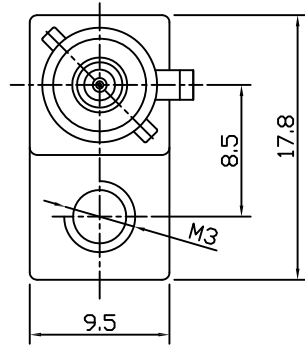
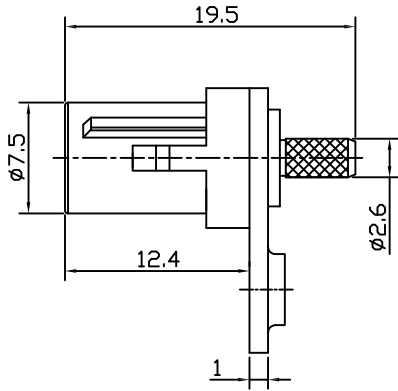
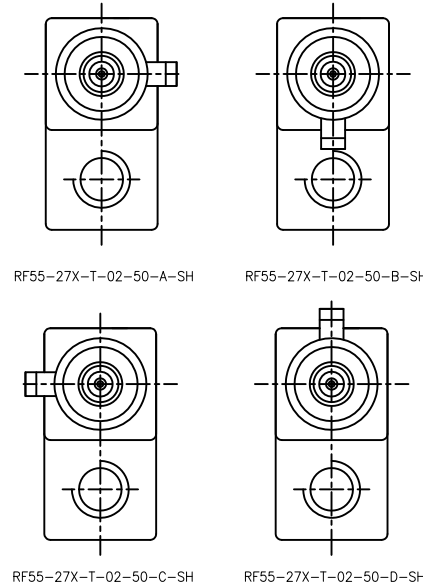


APPROVED: _____
 DATE: _____ TITLE: _____

Rev	AWO #	Description	Date	Appr
-		RELEASED	6/6/18	



Port Type



Type	Color	Item No
A	BLACK	RF55-27A-T-02-50-X-SH
B	WHITE	RF55-27B-T-02-50-X-SH
C	BLUE	RF55-27C-T-02-50-X-SH
D	BORDEAUX VIOLET	RF55-27D-T-02-50-X-SH
E	GREEN	RF55-27E-T-02-50-X-SH
F	BROWN	RF55-27F-T-02-50-X-SH
G	GREY	RF55-27G-T-02-50-X-SH
H	VIOLET	RF55-27H-T-02-50-X-SH
I	BEIGE	RF55-27I-T-02-50-X-SH
K	CURRY	RF55-27K-T-02-50-X-SH
Z	WATER BLUE	RF55-27Z-T-02-50-X-SH
L	CARMINE RED	RF55-27L-T-02-50-X-SH
M	PASTEL ORANGE	RF55-27M-T-02-50-X-SH
N	PASTEL GREEN	RF55-27N-T-02-50-X-SH

METAL PLATE	STEEL	
PLASTIC SHELL	PA66+30%GF	
COPPER TUBE	BRASS	NICKEL
INSULATOR	PTFE	
PIN CONTACT	BRASS	GOLD
BODY	BRASS	NICKEL
DESCRIPTION	MATERIAL	FINISH

SPECIFICATIONS:
 Electrical:
 Frequency range: DC~4 GHz
 Nominal Impedance: 50 ohms
 Withstanding voltage: 335 V
 Insulator Resistance: 1000 MΩ
 Contact Resistance: 6 Milliohms max. (Center Contact)
 1 Milliohms max. (Outer Contact)

Temperature Rating:
 Operating temperature: -40°C to +85°C
 Environmental:
 Lead free, RoHS compliant.



UNLESS OTHERWISE SPECIFIED
 ALL DIMENSIONS ARE MILLIMETERS
 TOLERANCES: EXCEPT AS NOTED
 INCHES HOLES

.X ± 0.25
 .XX ± 0.15
 .XXX + 0.05

Ø.XX ± 0.13

APPROVALS		DATE
DRAWN	AY	6/6/18
CHECKED	MY	6/6/18
APPROVED		

ADAM TECH
 INTERCONNECTS
 909 Rahway Avenue,
 Union, NJ 07083
 Phone: 908-687-5000
 Fax: 908-687-5710

TITLE		
FAKRA PLUG SMB TYPE STRAIGHT FOR RG174/RG316		
SIZE	PART NO.	REV.
X	RF55-27X-T-02-50-X-SH	-
REF: S00134C	SCALE: NTS	SHEET 1 OF 1