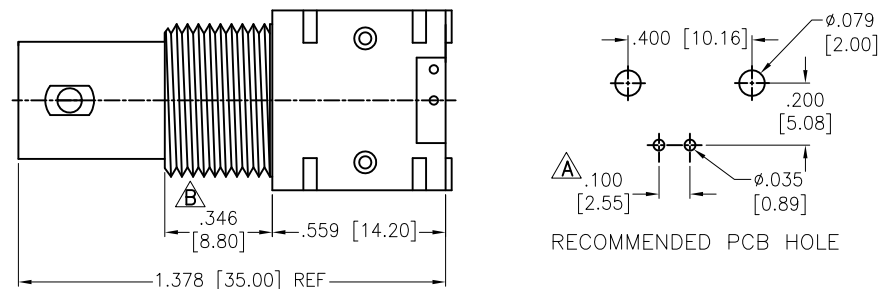
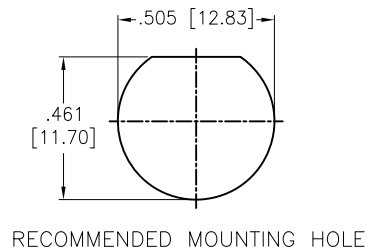
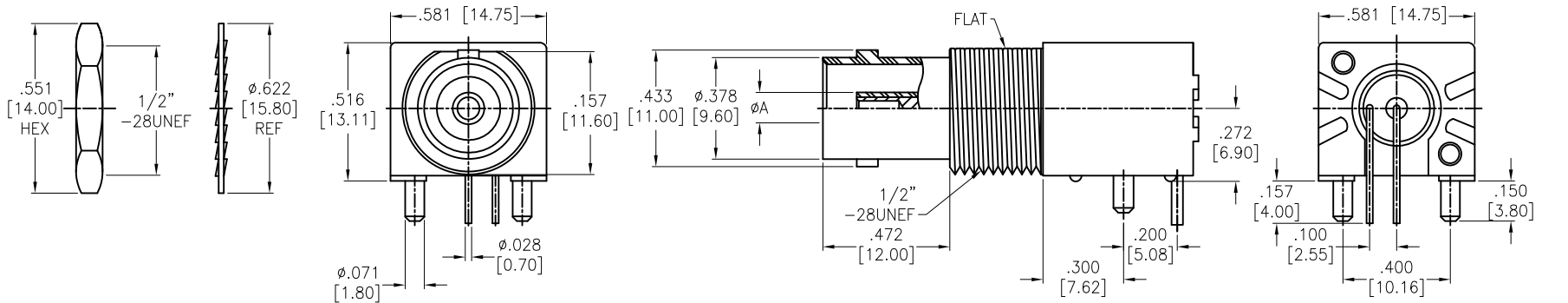


APPROVED: _____
 DATE: _____ TITLE: _____

Rev	AWO #	Description	Date	Appr
-		RELEASED	10/3/16	
A		UPDATE DRAWING	7/9/18	AY/KC
B		UPDATE DIM. & SPEC.	5/23/19	AY/RC



FIXTURE	BRASS	TIN
CONTACT WIRE	BRASS	TIN
CONTACT WIRE	BRASS	TIN
HOUSING	PBT	BLACK
INSULATION	PP	NATURAL
CONTACT PIN	P-BRONZE	GOLD
INSULATION	POM	NATURAL
BODY	ZINC	NICKEL
WASHER	IRON	NICKEL
NUT	ZINC	NICKEL
DESCRIPTION	MATERIAL	FINISH

SPECIFICATIONS
 Electrical

Nominal Impedance: 50/75 OHM (± 5 OHM)
 Frequency Range: 0~4 GHz
 Working Voltage: 500 Vrms
 Contact resistance: Outer Contact: 1.5 MEG OHM
 Center Contact: 1.5 MEG OHM
 Insulation Resistance: > 5000 MEG OHM
 Dielectric Withstanding Voltage: 1500 Vrms.
 Temperature Rating:
 -65°C to +160°C
 Environmental:
 Lead free, RoHS compliant.



ADAM P/N	DIM. ϕA	IMPEDANCE
RF1-01K-D-00-50-BK-HDW	$\phi .181$ [4.60]	50 ohm
RF1-01K-D-00-75-BK-HDW	$\phi .118$ [3.00]	75 ohm

UNLESS OTHERWISE SPECIFIED
 ALL DIMENSIONS ARE MM [INCHES]
 TOLERANCES: EXCEPT AS NOTED

INCHES	HOLES
.X $\pm .10$	$\phi X \pm .10$
.XX $\pm .020$	$\phi XX \pm .015$
.XXX $\pm .015$	$\phi XXX \pm .010$

ADAM TECH
 INTERCONNECTS
 909 Rahway Avenue,
 Union, NJ 07083
 Phone: 908-687-5000
 Fax: 908-687-5710

APPROVALS		DATE	TITLE		
DRAWN	AY	10/3/16	RF CONNECTOR, TYPE BNC RIGHT ANGLE, PCB, 50 or 75 OHM		
CHECKED	AT	10/3/16	SIZE	PART NO.	REV.
APPROVED			X	RF1-01K-D-00-XX-BK-HDW	B
REF: S00277T		SCALE: NTS	SHEET 1 OF 1		