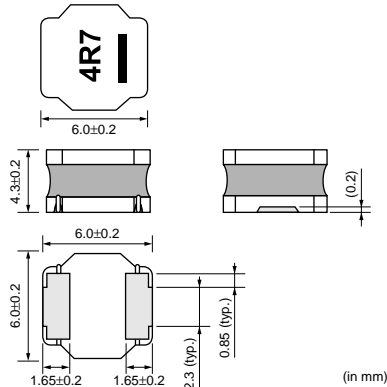


# Chip Inductor (Chip Coil) Power Inductor (Wire Wound Type)

## LQH6PP Series (2424 Size)

### ■ Dimensions



### ■ Packaging

| Code | Packaging           | Minimum Quantity |
|------|---------------------|------------------|
| L    | 180mm Embossed Tape | 250              |
| K    | 330mm Embossed Tape | 1500             |

### ■ Rated Value (□: packaging code)


| Part Number    | Inductance | Rated Current<br>(Based on Inductance Change) | Rated Current<br>(Based on Temperature Rise) | DC Resistance | Self Resonance<br>Frequency (min.) |
|----------------|------------|---|--|---------------|------------------------------------|
| LQH6PPN1R0N43□ | 1.0μH±30%  | 7.50A   | 4.30A  | 0.009ohm±30%  | 110MHz                             |
| LQH6PPN1R5N43□ | 1.5μH±30%  | 6.50A   | 4.15A  | 0.010ohm±30%  | 60MHz                              |
| LQH6PPN2R2N43□ | 2.2μH±30%  | 5.60A   | 4.10A  | 0.014ohm±30%  | 30MHz                              |
| LQH6PPN3R3N43□ | 3.3μH±30%  | 4.50A   | 3.80A  | 0.016ohm±30%  | 30MHz                              |
| LQH6PPN4R7M43□ | 4.7μH±20%  | 4.00A   | 3.20A  | 0.020ohm±30%  | 25MHz                              |
| LQH6PPN6R8M43□ | 6.8μH±20%  | 3.20A   | 2.85A  | 0.028ohm±30%  | 20MHz                              |
| LQH6PPN100M43□ | 10μH±20%   | 2.60A   | 2.60A  | 0.044ohm±30%  | 15MHz                              |
| LQH6PPN150M43□ | 15μH±20%   | 2.20A   | 2.20A  | 0.065ohm±30%  | 10MHz                              |
| LQH6PPN220M43□ | 22μH±20%   | 1.70A   | 1.55A  | 0.108ohm±30%  | 10MHz                              |
| LQH6PPN330M43□ | 33μH±20%   | 1.60A   | 1.29A  | 0.137ohm±30%  | 6MHz                               |
| LQH6PPN470M43□ | 47μH±20%   | 1.25A   | 1.10A  | 0.230ohm±30%  | 6MHz                               |
| LQH6PPN680M43□ | 68μH±20%   | 1.10A   | 1.00A  | 0.289ohm±30%  | 5MHz                               |
| LQH6PPN101M43□ | 100μH±20%  | 0.92A   | 0.80A  | 0.436ohm±30%  | 3MHz                               |

Test Frequency: 100kHz Class of Magnetic Shield: Magnetic shield of magnetic powder in resin

Operating Temperature Range (Self-temperature rise is included): -40°C to +125°C

Operating Temperature Range (Self-temperature rise is not included): -40°C to +85°C


Only for reflow soldering.

Continued on the following page. 

● This data sheet is applied for CHIP INDUCTORS (CHIP COILS) used for General Electronics equipment for your design.

### ⚠ Note:

1. This datasheet is downloaded from the website of Murata Manufacturing co., Ltd. Therefore, it's specifications are subject to change or our products in it may be discontinued without advance notice. Please check with our sales representatives or product engineers before ordering.
2. This datasheet has only typical specifications because there is no space for detailed specifications. Therefore, please approve our product specifications or transact the approval sheet for product specifications before ordering.

 Continued from the preceding page.

### ■ Notice (Rated Current)

<Rated Current>

(Based on Inductance Change)

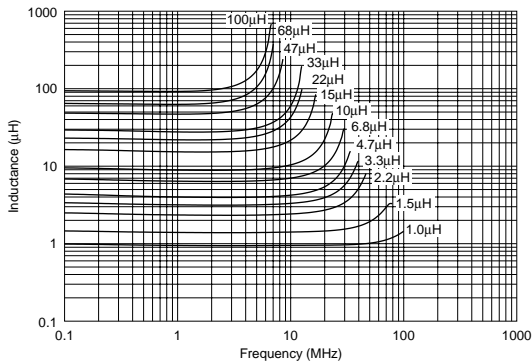
When Rated Current is applied to the Products,  
Inductance will be within  $\pm 30\%$  of nominal  
Inductance value.

<Rated Current>

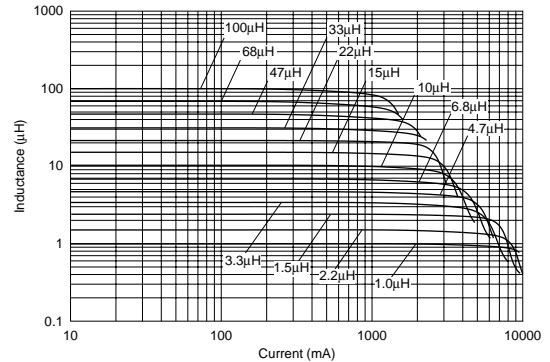
(Based on Temperature Rise)

When Rated Current is applied to the Products,  
self-generation of heat will rise to  $40^{\circ}\text{C}$  or less.

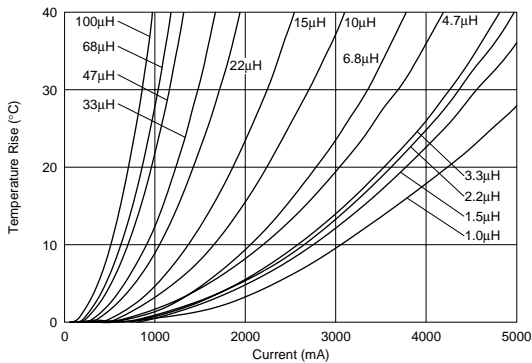
### ■ Inductance-Frequency Characteristics (Typ.)



### ■ Inductance-Current Characteristics (Typ.)



### ■ Temperature Rise Characteristics (Typ.)



### ■ ⚠ Caution/Notice

#### ⚠ Caution (Rating)

Do not use products beyond the rated current as  
this may create excessive heat.

#### Notice

Solderability of Tin plating termination chip might be  
deteriorated when low temperature soldering profile  
where peak solder temperature is below the Tin melting  
point is used. Please confirm the solderability of Tin  
plating termination chip before use.

● This data sheet is applied for CHIP INDUCTORS (CHIP COILS) used for General Electronics equipment for your design.

#### ⚠ Note:

1. This datasheet is downloaded from the website of Murata Manufacturing co., Ltd. Therefore, it's specifications are subject to change or our products in it may be discontinued without advance notice. Please check with our sales representatives or product engineers before ordering.
2. This datasheet has only typical specifications because there is no space for detailed specifications. Therefore, please approve our product specifications or transact the approval sheet for product specifications before ordering.