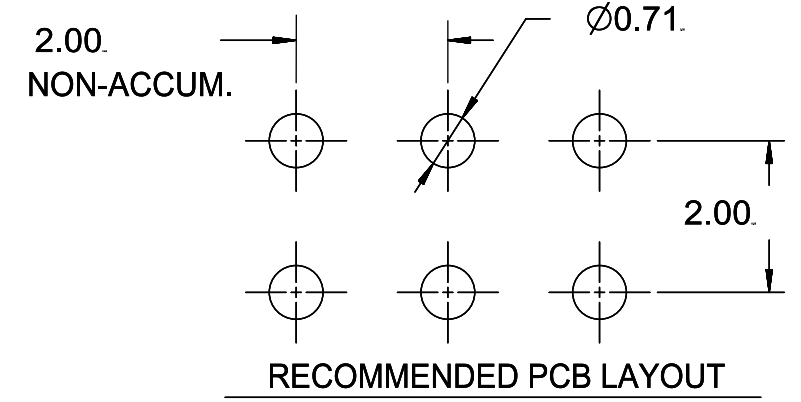
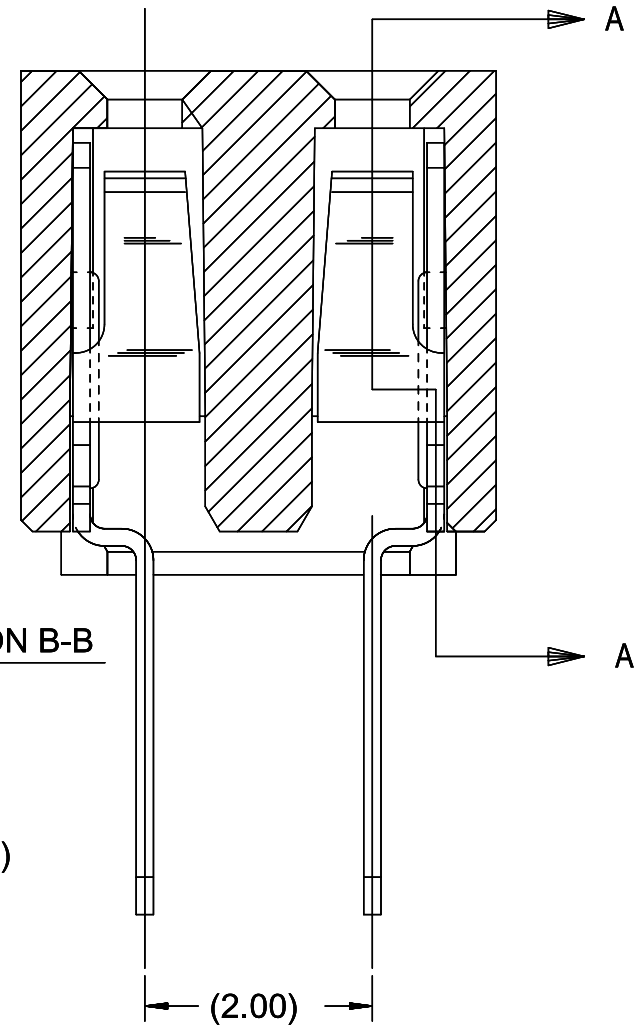
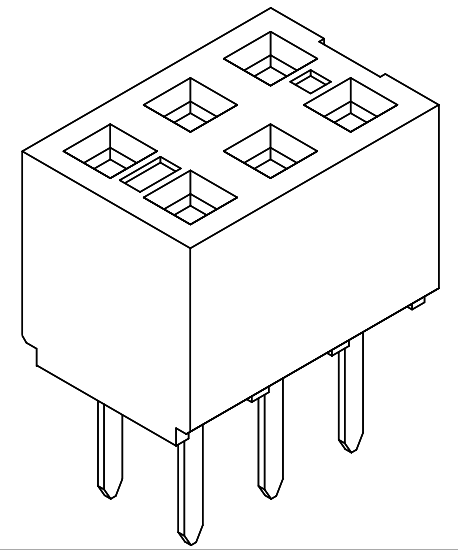


SECTION B-B

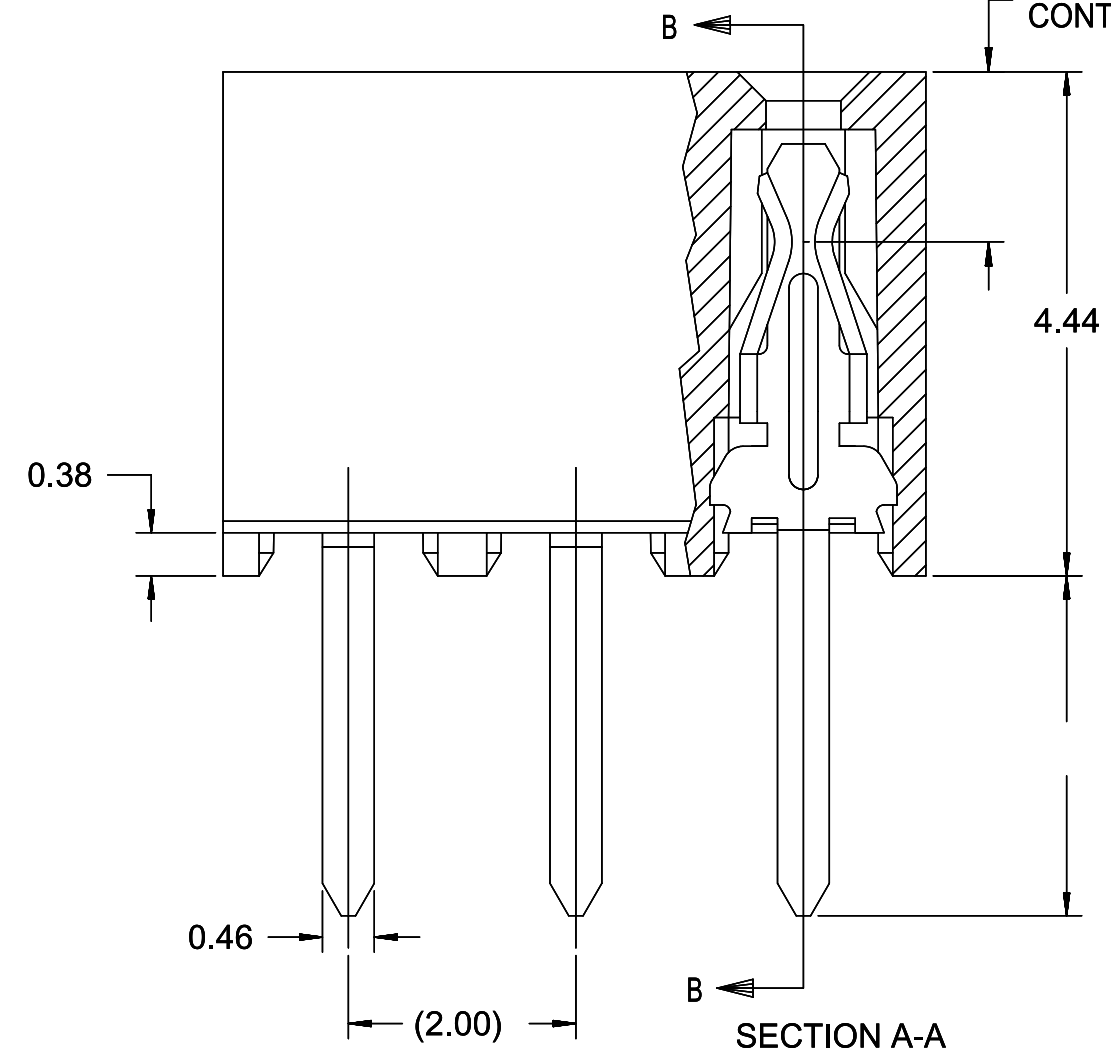


- NOTES:
- 1) HOUSING MATERIAL: GLASS FILLED HIGH TEMP THERMOPLASTIC, COLOR: BLACK
 - 2) TERMINAL MATERIAL: PHOSPHOR BRONZE
 - 3) SEE SHT 2&3 FOR CKT SIZE, PART NUMBERS AND OVERALL DIMENSIONS, SEE SHT 4 FOR VOIDS.
 - 4) FOR ILLUSTRATION, 6 CKT ASSY SHOWN.
 - 5) REFER TO PRODUCT SPEC PS-79107
 - 6) PACKAGING SPECIFICATION:
TUBE: PK-70873-0180
T&R: 791070001
 - 7) CKTS NUMBERED FROM LEFT TO RIGHT WHEN PART IS VIEWED FROM TOP WITH RECESS ON THE RIGHT
 - 8) SOLDER TAIL TO BE MEASURED BY PITCH GAUGE.



PLATING OPTION:

- PLATING OPTIONS:
- 4 - 0.76µM MIN. GOLD PLATE IN SELECTED AREA
1.90µM MIN. TIN PLATE IN SELECTED AREA
OVER 1.25µM MIN. NICKEL OVERALL
 - 5 - 0.38µM MIN. GOLD PLATE IN SELECTED AREA
1.90µM MIN. TIN PLATE IN SELECTED AREA
OVER 1.25µM MIN. NICKEL OVERALL
 - 6 - 0.05µM MIN. GOLD PLATE IN SELECTED AREA
1.02µM MIN. TIN PLATE IN SELECTED AREA
OVER 1.02µM MIN. NICKEL OVERALL



SECTION A-A

| | | | | | | | | | | |
|---|---|--|--------------|-----------------|------------------------|---|----------|-----------------|--------------|--------|
| THIS DRAWING CONTAINS INFORMATION THAT IS PROPRIETARY TO MOLEX ELECTRONIC TECHNOLOGIES, LLC AND SHOULD NOT BE USED WITHOUT WRITTEN PERMISSION | | | | | | | | | | |
| QUALITY SYMBOLS | SHT3: ADD 79107-7417 EC NO: 173923 DRWN: GMENARLY CHKD: ISHWARG APPR: ISHWARG | GENERAL TOLERANCES (UNLESS SPECIFIED) | | DIMENSION UNITS | SCALE | | | | | |
| | | ANGULAR TOL ± 0.5 ° | | MM | NTS | | | | | |
| ▽ = 0 | H4 REV | 4 PLACES ± | AAB | DATE | | 2MM DUAL ROW VERTICAL RECEPTACLE T/H | | | | |
| ▽ = 0 | | 3 PLACES ± | MJM | DATE | | | | | | |
| ▽ = 1 | | 2 PLACES ± 0.25 | WAZ | DATE | | PRODUCT CUSTOMER DRAWING | | | | |
| ▽ = 0 | | 1 PLACE ± | DRAWING SIZE | | THIRD ANGLE PROJECTION | | | | | |
| ▽ = 0 | | 0 PLACES ± | B | | | | SERIES | MATERIAL NUMBER | CUSTOMER | |
| ▽ = 0 | | DRAFT WHERE APPLICABLE MUST REMAIN WITHIN DIMENSIONS | | B | | 79107 SEE TABLE | | GENERAL MARKET | | |
| ▽ = 0 | | | | | DOCUMENT NUMBER | | DOC TYPE | DOC PART | SHEET NUMBER | |
| | | | | | | SDA-79107-++++ | | PSD | 001 | 1 OF 4 |

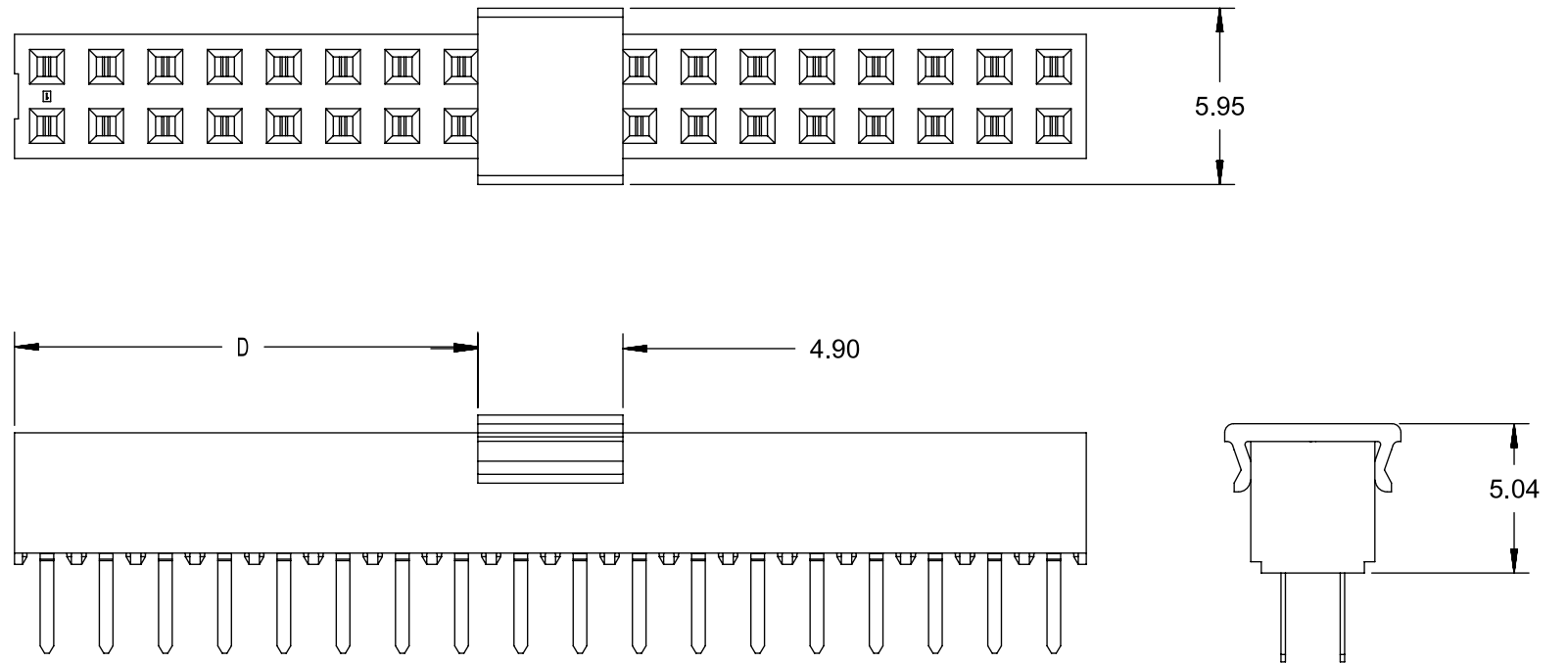
ASSEMBLY WITHOUT CAP IN TUBE

| CKT SIZE | DIM A | DIM B | PC TAIL DIMENSION "C" = 3.00 | | | PC TAIL DIMENSION "C" = 1.90 | | | | |
|----------|-------|-------|------------------------------|-------------------|-------------------|------------------------------|-------------------|-------------------|---|------------|
| | | | PLATING OPTION: 5 | PLATING OPTION: 4 | PLATING OPTION: 6 | PLATING OPTION: 5 | PLATING OPTION: 4 | PLATING OPTION: 6 | | |
| 04 | 4.19 | 2.00 | 79107-7001 | 79107-7051 | X | 79107-7126 | 79107-7201 | 79107-7251 | X | 79107-7326 |
| 06 | 6.19 | 4.00 | 79107-7002 | 79107-7052 | X | 79107-7127 | 79107-7202 | 79107-7252 | X | 79107-7327 |
| 08 | 8.19 | 6.00 | 79107-7003 | 79107-7053 | X | 79107-7128 | 79107-7203 | 79107-7253 | X | 79107-7328 |
| 10 | 10.19 | 8.00 | 79107-7004 | 79107-7054 | X | 79107-7129 | 79107-7204 | 79107-7254 | X | 79107-7329 |
| 12 | 12.19 | 10.00 | 79107-7005 | 79107-7055 | | 79107-7130 | 79107-7205 | 79107-7255 | | 79107-7330 |
| 14 | 14.19 | 12.00 | 79107-7006 | 79107-7056 | X | 79107-7131 | 79107-7206 | 79107-7256 | X | 79107-7331 |
| 16 | 16.19 | 14.00 | 79107-7007 | 79107-7057 | X | 79107-7132 | 79107-7207 | 79107-7257 | X | 79107-7332 |
| 18 | 18.19 | 16.00 | 79107-7008 | 79107-7058 | X | 79107-7133 | 79107-7208 | 79107-7258 | X | 79107-7333 |
| 20 | 20.19 | 18.00 | 79107-7009 | 79107-7059 | X | 79107-7134 | 79107-7209 | 79107-7259 | X | 79107-7334 |
| 22 | 22.19 | 20.00 | 79107-7010 | 79107-7060 | X | 79107-7135 | 79107-7210 | 79107-7260 | X | 79107-7335 |
| 24 | 24.19 | 22.00 | 79107-7011 | 79107-7061 | X | 79107-7136 | 79107-7211 | 79107-7261 | X | 79107-7336 |
| 26 | 26.19 | 24.00 | 79107-7012 | 79107-7062 | X | 79107-7137 | 79107-7212 | 79107-7262 | X | 79107-7337 |
| 28 | 28.19 | 26.00 | 79107-7013 | 79107-7063 | X | 79107-7138 | 79107-7213 | 79107-7263 | X | 79107-7338 |
| 30 | 30.19 | 28.00 | 79107-7014 | 79107-7064 | X | 79107-7139 | 79107-7214 | 79107-7264 | X | 79107-7339 |
| 32 | 32.19 | 30.00 | 79107-7015 | 79107-7065 | X | 79107-7140 | 79107-7215 | 79107-7265 | X | 79107-7340 |
| 34 | 34.19 | 32.00 | 79107-7016 | 79107-7066 | X | 79107-7141 | 79107-7216 | 79107-7266 | X | 79107-7341 |
| 36 | 36.19 | 34.00 | 79107-7017 | 79107-7067 | X | 79107-7142 | 79107-7217 | 79107-7267 | X | 79107-7342 |
| 38 | 38.19 | 36.00 | 79107-7018 | 79107-7068 | X | 79107-7143 | 79107-7218 | 79107-7268 | X | 79107-7343 |
| 40 | 40.19 | 38.00 | 79107-7019 | 79107-7069 | X | 79107-7144 | 79107-7219 | 79107-7269 | X | 79107-7344 |
| 42 | 42.19 | 40.00 | 79107-7020 | 79107-7070 | X | 79107-7145 | 79107-7220 | 79107-7270 | X | 79107-7345 |
| 44 | 44.19 | 42.00 | 79107-7021 | 79107-7071 | X | 79107-7146 | 79107-7221 | 79107-7271 | X | 79107-7346 |
| 46 | 46.19 | 44.00 | 79107-7022 | 79107-7072 | X | 79107-7147 | 79107-7222 | 79107-7272 | X | 79107-7347 |
| 48 | 48.19 | 46.00 | 79107-7023 | 79107-7073 | X | 79107-7148 | 79107-7223 | 79107-7273 | X | 79107-7348 |
| 50 | 50.19 | 48.00 | 79107-7024 | 79107-7074 | X | 79107-7149 | 79107-7224 | 79107-7274 | X | 79107-7349 |

| | | | | | | | | | | | | | | | | | | | |
|--|---|--------------------|------------------------------|----------------------------|----------------------------|-------|---|--------------------|--|--|---|------------------------------|---------------------|-----------------------|--------------------|------------------------|--------------------|-----------------------|--------------------|
| QUALITY SYMBOLS | THIS DRAWING CONTAINS INFORMATION THAT IS PROPRIETARY TO MOLEX ELECTRONIC TECHNOLOGIES, LLC AND SHOULD NOT BE USED WITHOUT WRITTEN PERMISSION | | | | | | | | | | | | | | | | | | |
| <table style="width: 100%; border-collapse: collapse;"> <tr><td style="text-align: center;">▽_A = 0</td></tr> <tr><td style="text-align: center;">▽_E = 0</td></tr> <tr><td style="text-align: center;">▽_P = 0</td></tr> <tr><td style="text-align: center;">▼ = 0</td></tr> <tr><td style="text-align: center;">▽_C = 0</td></tr> <tr><td style="text-align: center;">⊗ = 0</td></tr> <tr><td style="text-align: center;">■ = 0</td></tr> <tr><td style="text-align: center;">▽₁ = 0</td></tr> </table> | ▽ _A = 0 | ▽ _E = 0 | ▽ _P = 0 | ▼ = 0 | ▽ _C = 0 | ⊗ = 0 | ■ = 0 | ▽ ₁ = 0 | SHT3: ADD 79107-7417 EC NO: 173923 DRWN: GMENARLY CHK'D: ISHWARG APPR: ISHWARG | 2017/11/27 2018/03/23 2018/03/23 | GENERAL TOLERANCES (UNLESS SPECIFIED) ANGULAR TOL ± 0.5 ° 4 PLACES ± 3 PLACES ± 2 PLACES ± 0.25 1 PLACE ± 0 PLACES ± DRAFT WHERE APPLICABLE MUST REMAIN WITHIN DIMENSIONS | DIMENSION UNITS MM | SCALE NTS | DRWN BY AAB | DATE 1989/05/15 | CHK'D BY MJM | DATE 1989/05/15 | APPR BY WAZ | DATE 1989/05/15 |
| ▽ _A = 0 | | | | | | | | | | | | | | | | | | | |
| ▽ _E = 0 | | | | | | | | | | | | | | | | | | | |
| ▽ _P = 0 | | | | | | | | | | | | | | | | | | | |
| ▼ = 0 | | | | | | | | | | | | | | | | | | | |
| ▽ _C = 0 | | | | | | | | | | | | | | | | | | | |
| ⊗ = 0 | | | | | | | | | | | | | | | | | | | |
| ■ = 0 | | | | | | | | | | | | | | | | | | | |
| ▽ ₁ = 0 | | | | | | | | | | | | | | | | | | | |
| | | | | DRAWING SIZE A3 | THIRD ANGLE PROJECTION | | | | | | | | | | | | | | |
| | | | | | | | 2MM DUAL ROW VERTICAL RECEPTACLE T/H | | | PRODUCT CUSTOMER DRAWING | | | | | | | | | |
| | | SERIES 79107 | MATERIAL NUMBER SEE TABLE | CUSTOMER GENERAL MARKET | | | | | | | | | | | | | | | |
| | | | | | | | DOCUMENT NUMBER SDA-79107-++++ | DOC TYPE PSD | DOC PART 001 | SHEET NUMBER 2 OF 4 | | | | | | | | | |

ASSEMBLY WITH CAP IN TAPE & REEL

| CKT SIZE | ASSEMBLY PART NO | DIM A | DIM B | DIM C | DIM D | PLATING OPTION |
|----------|------------------|-------|-------|-------|-------|----------------|
| 36 | 79107-7417 | 36.19 | 34.00 | 3.00 | 15.65 | 5 |
| | | | | | | |
| | | | | | | |



| QUALITY SYMBOLS | | THIS DRAWING CONTAINS INFORMATION THAT IS PROPRIETARY TO MOLEX ELECTRONIC TECHNOLOGIES, LLC AND SHOULD NOT BE USED WITHOUT WRITTEN PERMISSION | | | | | | | | | |
|-----------------|-----|---|--|--|-----------------|--|------------------------|--|---|--|--|
| ▽A | = 0 | SHT3: ADD 79107-7417 EC NO: 173923 DRWN: GMENARLY CHK'D: ISHWARG APPR: ISHWARG | GENERAL TOLERANCES (UNLESS SPECIFIED) | | DIMENSION UNITS | | SCALE | | | | |
| ▽E | = 0 | | ANGULAR TOL ± 0.5 ° | | MM | | NTS | | | | |
| ▽F | = 0 | | 4 PLACES ± | | AAB | | DATE | | 2MM DUAL ROW VERTICAL RECEPTACLE T/H | | |
| ▽ | = 0 | | 3 PLACES ± | | CHK'D BY | | DATE | | | | |
| ▽C | = 0 | | 2 PLACES ± 0.25 | | MJM | | DATE | | PRODUCT CUSTOMER DRAWING | | |
| ▽ | = 0 | | 1 PLACE ± | | APPR BY | | DATE | | | | |
| ▽ | = 0 | | 0 PLACES ± | | WAZ | | DATE | | SERIES: 79107 MATERIAL NUMBER: SEE TABLE CUSTOMER: GENERAL MARKET | | |
| ■ | = 0 | | DRAFT WHERE APPLICABLE MUST REMAIN WITHIN DIMENSIONS | | DRAWING SIZE | | THIRD ANGLE PROJECTION | | | | |
| ▽ | = 0 | | H4 | | A3 | | | | DOCUMENT NUMBER: SDA-79107-++++ DOC TYPE: PSD DOC PART: 001 SHEET NUMBER: 3 OF 4 | | |

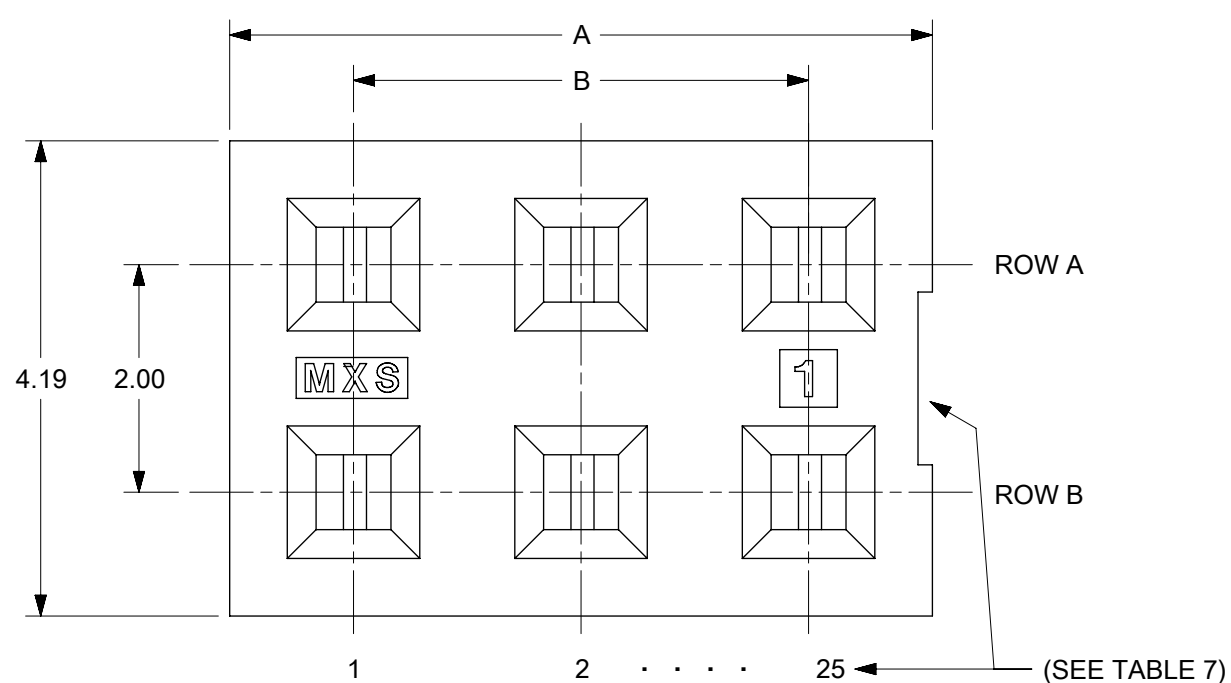
MOLDED VOID OPTION ASSEMBLIES WITHOUT PEGS

| CKT SIZE | ASSEMBLY | HOUSING | | VOID LOCATION(S) SEE SHEET 1 FOR CONVENTION | | TERMINAL | | PLATING OPTIONS | DIM A | DIM B | DIM C PC TAIL |
|----------|------------|-------------|------------|--|--------------|-----------|------------|--------------------|-------|-------|------------------|
| | | EDP NO. | ENG. NO | ROW | CKT. NO. (S) | EDP NO. | ENG. NO | | | | |
| 24 | 79107-5101 | 050-40-1422 | 79105-0501 | ROW B | 6 | 791061012 | 79106-1012 | 5 | 24.19 | 22.00 | 3.00 |
| 10 | 79107-5102 | 050-40-1410 | 79105-0504 | ROW A | 5 | 791061012 | 79106-1012 | 5 | 10.19 | 8.00 | 3.00 |
| 26 | 79107-5103 | 050-40-1426 | 79105-0505 | ROW B | 5 | 791061012 | 79106-1012 | 5 | 26.19 | 24.00 | 3.00 |
| 20 | 79107-5104 | 79105-0510 | 79105-0510 | ROW A | 7 | 791061112 | 79106-1112 | 5 | 20.19 | 18.00 | 1.91 |
| 24 | 79107-5105 | 79105-0511 | 79105-0511 | ROW B | 10 | 791061112 | 79106-1112 | 5 | 24.19 | 22.00 | 1.91 |
| 20 | 79107-5106 | 79105-0510 | 79105-0510 | ROW A | 7 | 791061012 | 79106-1012 | 5 | 20.19 | 18.00 | 3.00 |
| 24 | 79107-5107 | 79105-0511 | 79105-0511 | ROW B | 10 | 791061012 | 79106-1012 | 5 | 24.19 | 22.00 | 3.00 |
| | | | | | | | | | | | |
| | | | | | | | | | | | |

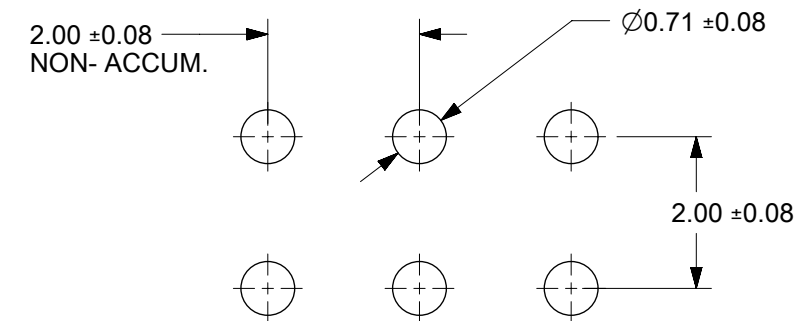
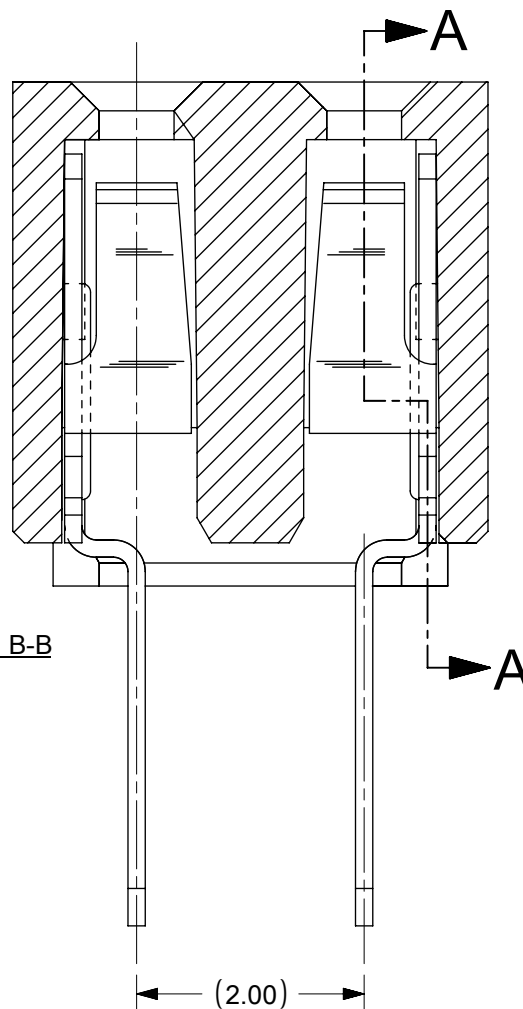
NOTES:

1. TERMINALS WILL BE PRESENT IN VOIDED LOCATIONS. HOWEVER, PIN WINDOWS WILL BE CLOSED
2. VOIDS CAN ONLY BE PRESENT IN ONE ROW OF A CONNECTOR

| | | | | | | | | | | | | | | | | | | | | | |
|---|---|--|----------|--|--|--|--|---|---|---|----------|---|---|--|--|---|---|---|--|---|--|
| <p>QUALITY SYMBOLS</p> <p>▽A = 0</p> <p>▽E = 0</p> <p>▽P = 0</p> <p>▼ = 0</p> <p>▽C = 0</p> <p>⊗ = 0</p> <p>■ = 0</p> <p>▽ = 0</p> | <p>THIS DRAWING CONTAINS INFORMATION THAT IS PROPRIETARY TO MOLEX ELECTRONIC TECHNOLOGIES, LLC AND SHOULD NOT BE USED WITHOUT WRITTEN PERMISSION</p> <p>SHT3: ADD 79107-7417</p> <p>EC NO: 173923</p> <p>DRWN: GMENARLY</p> <p>CHK'D: ISHWARG</p> <p>APP'R: ISHWARG</p> <p>2017/11/27</p> <p>2018/03/23</p> <p>2018/03/23</p> | <p>GENERAL TOLERANCES (UNLESS SPECIFIED)</p> <p>ANGULAR TOL ± 0.5 °</p> <table border="1" style="width: 100%; border-collapse: collapse;"> <tr> <td>4 PLACES</td> <td>±</td> </tr> <tr> <td>3 PLACES</td> <td>±</td> </tr> <tr> <td>2 PLACES</td> <td>± 0.25</td> </tr> <tr> <td>1 PLACE</td> <td>±</td> </tr> <tr> <td>0 PLACES</td> <td>±</td> </tr> </table> <p>DRAFT WHERE APPLICABLE MUST REMAIN WITHIN DIMENSIONS</p> | 4 PLACES | ± | 3 PLACES | ± | 2 PLACES | ± 0.25 | 1 PLACE | ± | 0 PLACES | ± | <p>DIMENSION UNITS</p> <p style="text-align: center;">MM</p> | <p>SCALE</p> <p style="text-align: center;">NTS</p> | <p>DRWN BY</p> <p style="text-align: center;">AAB</p> | <p>DATE</p> <p style="text-align: center;">1989/05/15</p> | <p>CHK'D BY</p> <p style="text-align: center;">MJM</p> | <p>DATE</p> <p style="text-align: center;">1989/05/15</p> | <p>APPR BY</p> <p style="text-align: center;">WAZ</p> | <p>DATE</p> <p style="text-align: center;">1989/05/15</p> | <p style="text-align: center;">molex®</p> <p style="text-align: center;">2MM DUAL ROW VERTICAL RECEPTACLE T/H</p> <p style="text-align: center;">PRODUCT CUSTOMER DRAWING</p> |
| 4 PLACES | ± | | | | | | | | | | | | | | | | | | | | |
| 3 PLACES | ± | | | | | | | | | | | | | | | | | | | | |
| 2 PLACES | ± 0.25 | | | | | | | | | | | | | | | | | | | | |
| 1 PLACE | ± | | | | | | | | | | | | | | | | | | | | |
| 0 PLACES | ± | | | | | | | | | | | | | | | | | | | | |
| | | | | <p>DRAWING SIZE</p> <p style="text-align: center;">A3</p> | <p>THIRD ANGLE PROJECTION</p> <p style="text-align: center;"> </p> | | <p>SERIES</p> <p style="text-align: center;">79107</p> | <p>MATERIAL NUMBER</p> <p style="text-align: center;">SEE TABLE</p> | <p>CUSTOMER</p> <p style="text-align: center;">GENERAL MARKET</p> | | | | | | | | | | | | |
| | | | | <p>DOCUMENT NUMBER</p> <p style="text-align: center;">SDA-79107-++++</p> | | <p>DOC TYPE</p> <p style="text-align: center;">PSD</p> | <p>DOC PART</p> <p style="text-align: center;">001</p> | <p>SHEET NUMBER</p> <p style="text-align: center;">4 OF 4</p> | | | | | | | | | | | | | |

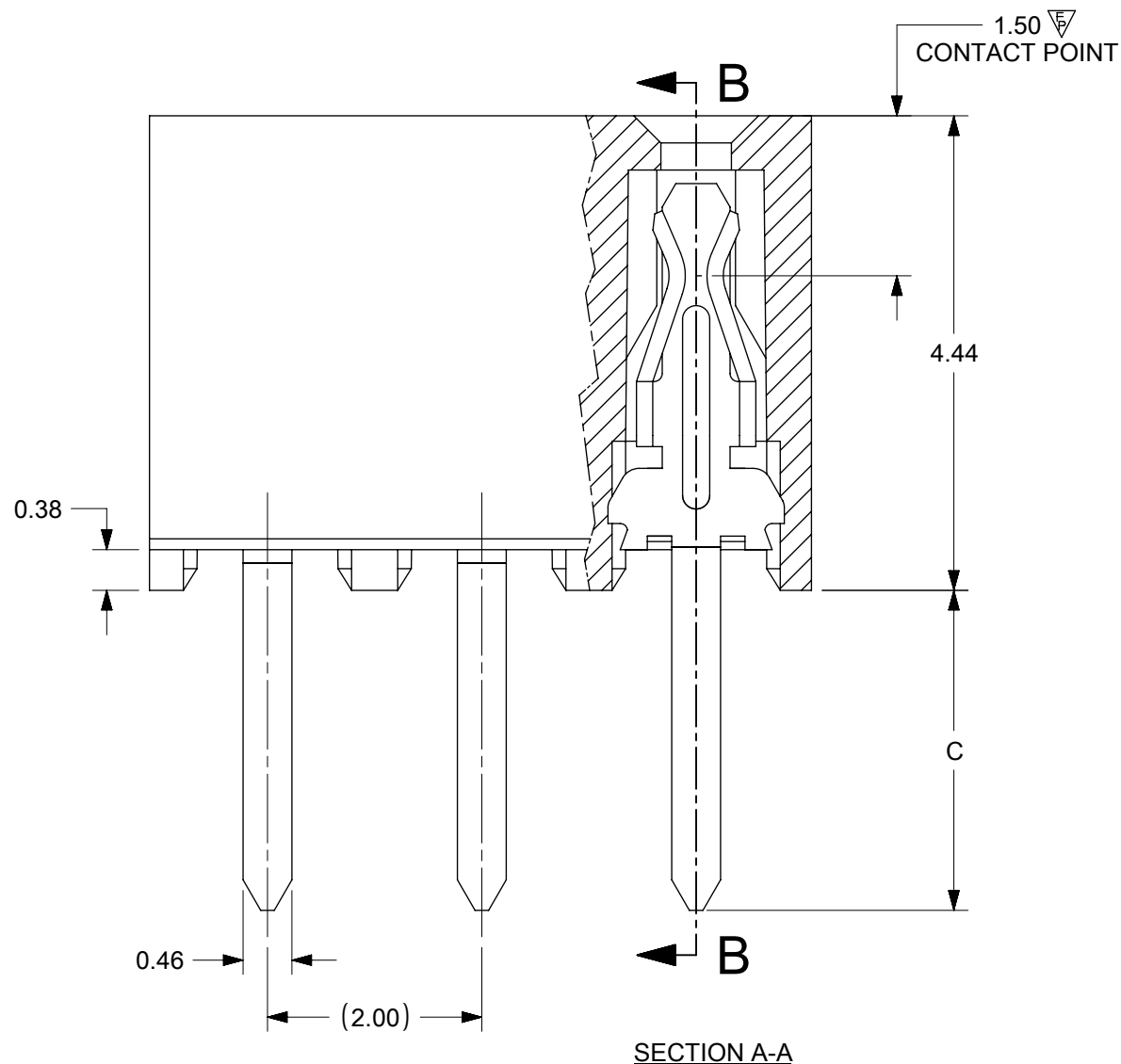
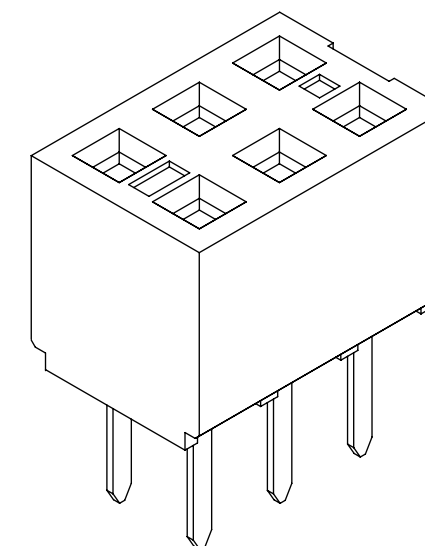


SECTION B-B



RECOMMENDED PCB LAYOUT

- NOTES:**
- 1) HOUSING MATERIAL: GLASS FILLED HIGH TEMP THERMOPLASTIC, COLOR: BLACK, UL-94V-0
 - 2) TERMINAL MATERIAL: PHOSPHOR BRONZE
 - 3) SEE SHT 2 FOR CKT SIZE, PART NUMBERS AND OVERALL DIMENSIONS, SEE SHT 3 FOR VOIDS.
 - 4) FOR ILLUSTRATION, 6 CKT ASSY SHOWN.
 - 5) REFER TO PRODUCT SPEC PS-79107
 - 6) PACKAGING PER PK-70873-0180
 - 7) CKTS NUMBERED FROM LEFT TO RIGHT WHEN PART IS VIEWED FROM TOP WITH RECESS ON THE RIGHT AS SHOWN.
 - 8) SOLDER TAIL TO BE MEASURED BY PITCH GAUGE.



SECTION A-A

PLATING OPTION:

- 4) - 30µ"/0.76µm MIN GOLD PLATE IN SELECTED AREA
75µ"/1.90µm MIN TIN PLATE IN SELECTED AREA
BOTH OVER 50µ"/1.25µm MIN NICKEL OVERALL
- 5) - 15µ"/0.38µm MIN GOLD PLATE IN SELECTED AREA
75µ"/1.90µm MIN TIN PLATE IN SELECTED AREA
BOTH OVER 50µ"/1.25µm MIN NICKEL OVERALL
- 6) - 2µ"/0.05µm MIN GOLD PLATE IN SELECTED AREA
40µ"/1.02µm MIN TIN PLATE IN SELECTED AREA
BOTH OVER 40µ"/1.02µm MIN NICKEL OVERALL

| | | | | | | | | | |
|---|--|-------|--------------------------------|--|---------|--|-----------|--|--------------|
| THIS DRAWING CONTAINS INFORMATION THAT IS PROPRIETARY TO MOLEX ELECTRONIC TECHNOLOGIES, LLC AND SHOULD NOT BE USED WITHOUT WRITTEN PERMISSION | | | | | | | | | |
| SYMBOLS | DIMENSION UNITS | SCALE | CURRENT REV DESC: | | | | | | |
| | mm | NTS | | | | | | | |
| ▽ = 0 | GENERAL TOLERANCES (UNLESS SPECIFIED) | | EC NO: 674390 | | | | | | |
| ▽ = 0 | | | DRWN: ABABUPS 2021/06/03 | | | | | | |
| ▽ = 1 | ANGULAR TOL ± 0.5° | | CHK'D: MRAMAKRISHNA 2021/08/23 | | | | | | |
| ▽ = 0 | 4 PLACES ± | | APPR: MRAMAKRISHNA 2021/08/23 | | | | | | |
| ▽ = 0 | 3 PLACES ± | | INITIAL REVISION: | | | | | | |
| ▽ = 0 | 2 PLACES ± 0.25 | | DRWN: RFC_PLMIMP 2018/12/04 | | | | | | |
| ▽ = 0 | 1 PLACE ± | | APPR: KCLING 2001/08/22 | | | | | | |
| ▽ = 0 | 0 PLACES ± | | MATERIAL NUMBER | | | | | | |
| ■ = 0 | DRAFT WHERE APPLICABLE MUST REMAIN WITHIN DIMENSIONS | | THIRD ANGLE PROJECTION | | DRAWING | | SERIES | | SHEET NUMBER |
| ▽ = 0 | | | B-SIZE | | 79107 | | SEE TABLE | | 1 OF 4 |

molex

2MM DUAL ROW
VERTICAL RECEPTACLE T/H

PRODUCT CUSTOMER DRAWING

| | | | |
|-----------------|----------|----------|----------|
| DOCUMENT NUMBER | DOC TYPE | DOC PART | REVISION |
| SDA-79107-XXXX | PSD | 001 | H5 |

CUSTOMER: GENERAL MARKET

PARTS PACKED IN TUBE

| CKT SIZE | DIM 'A' | DIM 'B' | P.C.TAIL DIMENSION 'C' = 3.00 | | | | | | P.C.TAIL DIMENSION 'C' = 1.91 | | | | | |
|----------|---------|---------|-------------------------------|------------|------------------|------------|------------------|------------|-------------------------------|------------|------------------|------------|------------------|------------|
| | | | PLATING OPTION 5 | | PLATING OPTION 4 | | PLATING OPTION 6 | | PLATING OPTION 5 | | PLATING OPTION 4 | | PLATING OPTION 6 | |
| | | | ITEM NO. | | ITEM NO. | | ITEM NO. | | ITEM NO. | | ITEM NO. | | ITEM NO. | |
| 04 | (4.19) | (2.00) | | 79107-7001 | | 79107-7051 | X | 79107-7126 | | 79107-7201 | | 79107-7251 | X | 79107-7326 |
| 06 | (6.19) | (4.00) | | 79107-7002 | | 79107-7052 | X | 79107-7127 | | 79107-7202 | | 79107-7252 | X | 79107-7327 |
| 08 | (8.19) | (6.00) | | 79107-7003 | | 79107-7053 | X | 79107-7128 | | 79107-7203 | | 79107-7253 | X | 79107-7328 |
| 10 | (10.19) | (8.00) | | 79107-7004 | | 79107-7054 | X | 79107-7129 | | 79107-7204 | | 79107-7254 | X | 79107-7329 |
| 12 | (12.19) | (10.00) | | 79107-7005 | | 79107-7055 | | 79107-7130 | | 79107-7205 | | 79107-7255 | | 79107-7330 |
| 14 | (14.19) | (12.00) | | 79107-7006 | | 79107-7056 | X | 79107-7131 | | 79107-7206 | | 79107-7256 | X | 79107-7331 |
| 16 | (16.19) | (14.00) | | 79107-7007 | | 79107-7057 | X | 79107-7132 | | 79107-7207 | | 79107-7257 | X | 79107-7332 |
| 18 | (18.19) | (16.00) | | 79107-7008 | | 79107-7058 | X | 79107-7133 | | 79107-7208 | | 79107-7258 | X | 79107-7333 |
| 20 | (20.19) | (18.00) | | 79107-7009 | | 79107-7059 | X | 79107-7134 | | 79107-7209 | | 79107-7259 | X | 79107-7334 |
| 22 | (22.19) | (20.00) | | 79107-7010 | | 79107-7060 | X | 79107-7135 | | 79107-7210 | | 79107-7260 | X | 79107-7335 |
| 24 | (24.19) | (22.00) | | 79107-7011 | | 79107-7061 | X | 79107-7136 | | 79107-7211 | | 79107-7261 | X | 79107-7336 |
| 26 | (26.19) | (24.00) | | 79107-7012 | | 79107-7062 | X | 79107-7137 | | 79107-7212 | | 79107-7262 | X | 79107-7337 |
| 28 | (28.19) | (26.00) | | 79107-7013 | | 79107-7063 | X | 79107-7138 | | 79107-7213 | | 79107-7263 | X | 79107-7338 |
| 30 | (30.19) | (28.00) | | 79107-7014 | | 79107-7064 | X | 79107-7139 | | 79107-7214 | | 79107-7264 | X | 79107-7339 |
| 32 | (32.19) | (30.00) | | 79107-7015 | | 79107-7065 | X | 79107-7140 | | 79107-7215 | | 79107-7265 | X | 79107-7340 |
| 34 | (34.19) | (32.00) | | 79107-7016 | | 79107-7066 | X | 79107-7141 | | 79107-7216 | | 79107-7266 | X | 79107-7341 |
| 36 | (36.19) | (34.00) | | 79107-7017 | | 79107-7067 | X | 79107-7142 | | 79107-7217 | | 79107-7267 | X | 79107-7342 |
| 38 | (38.19) | (36.00) | | 79107-7018 | | 79107-7068 | X | 79107-7143 | | 79107-7218 | | 79107-7268 | X | 79107-7343 |
| 40 | (40.19) | (38.00) | | 79107-7019 | | 79107-7069 | X | 79107-7144 | | 79107-7219 | | 79107-7269 | X | 79107-7344 |
| 42 | (42.19) | (40.00) | | 79107-7020 | | 79107-7070 | X | 79107-7145 | | 79107-7220 | | 79107-7270 | X | 79107-7345 |
| 44 | (44.19) | (42.00) | | 79107-7021 | | 79107-7071 | X | 79107-7146 | | 79107-7221 | | 79107-7271 | X | 79107-7346 |
| 46 | (46.19) | (44.00) | | 79107-7022 | | 79107-7072 | X | 79107-7147 | | 79107-7222 | | 79107-7272 | X | 79107-7347 |
| 48 | (48.19) | (46.00) | | 79107-7023 | | 79107-7073 | X | 79107-7148 | | 79107-7223 | | 79107-7273 | X | 79107-7348 |
| 50 | (50.19) | (48.00) | | 79107-7024 | | 79107-7074 | X | 79107-7149 | | 79107-7224 | | 79107-7274 | X | 79107-7349 |

"X" - DENOTES THE ITEM IS NOT AVAILABLE CURRENTLY.

| | | | | | | | |
|--|---|-------|---|--|--|---|--|
| SYMBOLS ▽ = 0 ▽ = 0 ▽ = 0 ▽ = 0 ▽ = 0 ▽ = 0 ▽ = 0 ▽ = 0 ▽ = 0 ▽ = 0 | THIS DRAWING CONTAINS INFORMATION THAT IS PROPRIETARY TO MOLEX ELECTRONIC TECHNOLOGIES, LLC AND SHOULD NOT BE USED WITHOUT WRITTEN PERMISSION | | CURRENT REV DESC: | | | | |
| | DIMENSION UNITS | SCALE | EC NO: 674390 DRWN: ABABUPS 2021/06/03 CHK'D: MRAMAKRISHNA 2021/08/23 APPR: MRAMAKRISHNA 2021/08/23 | | | 2MM DUAL ROW VERTICAL RECEPTACLE T/H | |
| | mm | NTS | INITIAL REVISION: DRWN: RFC_PLMIMP 2018/12/04 APPR: KCLING 2001/08/22 | | | PRODUCT CUSTOMER DRAWING DOCUMENT NUMBER: SDA-79107-XXXX DOC TYPE: PSD DOC PART: 001 REVISION: H5 | |
| | GENERAL TOLERANCES (UNLESS SPECIFIED) ANGULAR TOL ± 0.5° 4 PLACES ± 3 PLACES ± 2 PLACES ± 0.25 1 PLACE ± 0 PLACES ± | | DRAFT WHERE APPLICABLE MUST REMAIN WITHIN DIMENSIONS THIRD ANGLE PROJECTION DRAWING: B-SIZE SERIES: 79107 MATERIAL NUMBER: SEE TABLE CUSTOMER: GENERAL MARKET SHEET NUMBER: 2 OF 4 | | | | |

PARTS PACKED IN TUBE

MOLDED VOID OPTION
ASSEMBLIES WITHOUT PEGS

| CKT. SIZE | ASSEMBLY ITEM NO. | VOID LOCATION(S) SEE SHEET 1 FOR CONVENTION | | PLATING OPTION | DIM. "A" | DIM. "B" | P.C. TAIL DIM. "C" |
|-----------|----------------------|--|-----------|-------------------|----------|----------|-----------------------|
| | | ROW | CKT.NO(s) | | | | |
| 24 | 79107-5101 | ROW B | 6 | 5 | (24.19) | (22.00) | (3.00) |
| 10 | 79107-5102 | ROW A | 5 | 5 | (10.19) | (8.00) | (3.00) |
| 26 | 79107-5103 | ROW B | 5 | 5 | (26.19) | (24.00) | (3.00) |
| 20 | 79107-5104 | ROW A | 7 | 5 | (20.19) | (18.00) | (1.91) |
| 24 | 79107-5105 | ROW B | 10 | 5 | (24.19) | (22.00) | (1.91) |
| 20 | 79107-5106 | ROW A | 7 | 5 | (20.19) | (18.00) | (3.00) |
| 24 | 79107-5107 | ROW B | 10 | 5 | (24.19) | (22.00) | (3.00) |

"X" - DENOTES THE ITEM IS NOT AVAILABLE CURRENTLY.

NOTES:

1. TERMINALS WILL BE PRESENT IN VOIDED LOCATIONS HOWEVER, PIN WINDOWS WILL BE CLOSED.
2. VOIDS CANNOT BE PRESENT IN BOTH ROWS ON A CONNECTOR.

| | | | | | | | | | | | |
|---------|---|---------------------------------------|-------|------------------------|--|---------|--|--------|---------------------------------------|---------------------------------|--------------|
| SYMBOLS | THIS DRAWING CONTAINS INFORMATION THAT IS PROPRIETARY TO MOLEX ELECTRONIC TECHNOLOGIES, LLC AND SHOULD NOT BE USED WITHOUT WRITTEN PERMISSION | | | | | | | | | | |
| | | DIMENSION UNITS | SCALE | CURRENT REV DESC: | | | | | | | molex |
| | | mm | NTS | EC NO: 674390 | | | | | | | |
| | | GENERAL TOLERANCES (UNLESS SPECIFIED) | | | DRWN: ABABUPS 2021/06/03 | | | | 2MM DUAL ROW VERTICAL RECEPTACLE T/H | | |
| | | ANGULAR TOL ± 0.5° | | | CHK'D: MRAMAKRISHNA 2021/08/23 | | | | PRODUCT CUSTOMER DRAWING | | |
| | | 4 PLACES ± | | | APPR: MRAMAKRISHNA 2021/08/23 | | | | DOCUMENT NUMBER | | |
| | | 3 PLACES ± | | | INITIAL REVISION: | | | | SDA-79107-XXXX | | |
| | | 2 PLACES ± 0.25 | | | DRWN: RFC_PLMIMP 2018/12/04 | | | | DOC TYPE DOC PART REVISION | | |
| | | 1 PLACE ± | | | APPR: KCLING 2001/08/22 | | | | PSD 001 H5 | | |
| | | 0 PLACES ± | | | DRAFT WHERE APPLICABLE MUST REMAIN WITHIN DIMENSIONS | | | | MATERIAL NUMBER CUSTOMER SHEET NUMBER | | |
| | | | | THIRD ANGLE PROJECTION | | DRAWING | | SERIES | | SEE TABLE GENERAL MARKET 3 OF 4 | |

PARTS PACKED IN TAPE AND REEL

| CKT SIZE | DIM 'A' | DIM 'B' | P.C.TAIL DIMENSION 'C' = 3.00 | | | P.C.TAIL DIMENSION 'C' = 1.91 | | |
|----------|---------|---------|-------------------------------|------------------|------------------|-------------------------------|------------------|------------------|
| | | | PLATING OPTION 5 | PLATING OPTION 4 | PLATING OPTION 6 | PLATING OPTION 5 | PLATING OPTION 4 | PLATING OPTION 6 |
| | | | ITEM NO. | ITEM NO. | ITEM NO. | ITEM NO. | ITEM NO. | ITEM NO. |
| 04 | (4.19) | (2.00) | - | - | - | - | - | - |
| 06 | (6.19) | (4.00) | - | - | - | - | - | - |
| 08 | (8.19) | (6.00) | - | - | - | - | - | - |
| 10 | (10.19) | (8.00) | - | - | - | - | - | - |
| 12 | (12.19) | (10.00) | - | - | - | - | - | - |
| 14 | (14.19) | (12.00) | - | - | - | - | - | - |
| 16 | (16.19) | (14.00) | - | - | - | - | - | - |
| 18 | (18.19) | (16.00) | - | - | - | - | - | - |
| 20 | (20.19) | (18.00) | - | - | - | * | 79107-8209 (H5) | - |
| 22 | (22.19) | (20.00) | - | - | - | - | - | - |
| 24 | (24.19) | (22.00) | - | - | - | - | - | - |
| 26 | (26.19) | (24.00) | - | - | - | - | - | - |
| 28 | (28.19) | (26.00) | - | - | - | - | - | - |
| 30 | (30.19) | (28.00) | - | - | - | - | - | - |
| 32 | (32.19) | (30.00) | - | - | - | - | - | - |
| 34 | (34.19) | (32.00) | - | - | - | - | - | - |
| 36 | (36.19) | (34.00) | - | - | - | - | - | - |
| 38 | (38.19) | (36.00) | - | - | - | - | - | - |
| 40 | (40.19) | (38.00) | - | - | - | - | - | - |
| 42 | (42.19) | (40.00) | - | - | - | - | - | - |
| 44 | (44.19) | (42.00) | - | - | - | - | - | - |
| 46 | (46.19) | (44.00) | - | - | - | - | - | - |
| 48 | (48.19) | (46.00) | - | - | - | - | - | - |
| 50 | (50.19) | (48.00) | - | - | - | - | - | - |
| | | | *** - PACKAGING IS NOT TOOLED | | | | | |

| | | | | | | | | | |
|--|------------------------------|----------------------------|--|---------------------------|--|------------------------|--|---|--|
| THIS DRAWING CONTAINS INFORMATION THAT IS PROPRIETARY TO MOLEX ELECTRONIC TECHNOLOGIES, LLC AND SHOULD NOT BE USED WITHOUT WRITTEN PERMISSION | | | | | | | | | |
| FUNCTIONAL SYMBOLS $\nabla_A = 0$ $\nabla_E = 0$ $\nabla_P = 0$ | DIMENSION UNITS mm | SCALE NTS | CURRENT REV DESC: EC NO: 674390 DRWN: ABABUPS APPR: MRAMAKRISHNA INITIAL REVISION: DRWN: RFC_PLMIMP APPR: KCLING | | | | | | |
| GENERAL TOLERANCES (UNLESS SPECIFIED) ANGULAR TOL $\pm 0.5^\circ$ 4 PLACES \pm 3 PLACES \pm 2 PLACES ± 0.25 1 PLACE \pm 0 PLACES \pm | | | 2021/06/03 2021/08/23 2021/08/23 | | | | | | |
| | | | PRODUCT CUSTOMER DRAWING DOCUMENT NUMBER: SDA-79107-XXXX DOC TYPE: PSD DOC PART: 001 REVISION: H5 | | | | | | |
| DRAFT WHERE APPLICABLE MUST REMAIN WITHIN DIMENSIONS | | THIRD ANGLE PROJECTION | | DRAWING A3-SIZE | | SERIES 79107 | | MATERIAL NUMBER CUSTOMER GENERAL MARKET | |
| SHEET NUMBER 4 OF 4 | | | | | | | | | |