

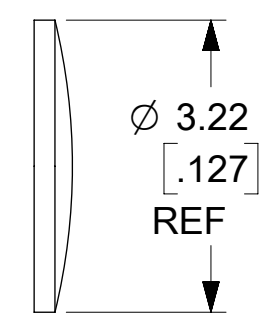
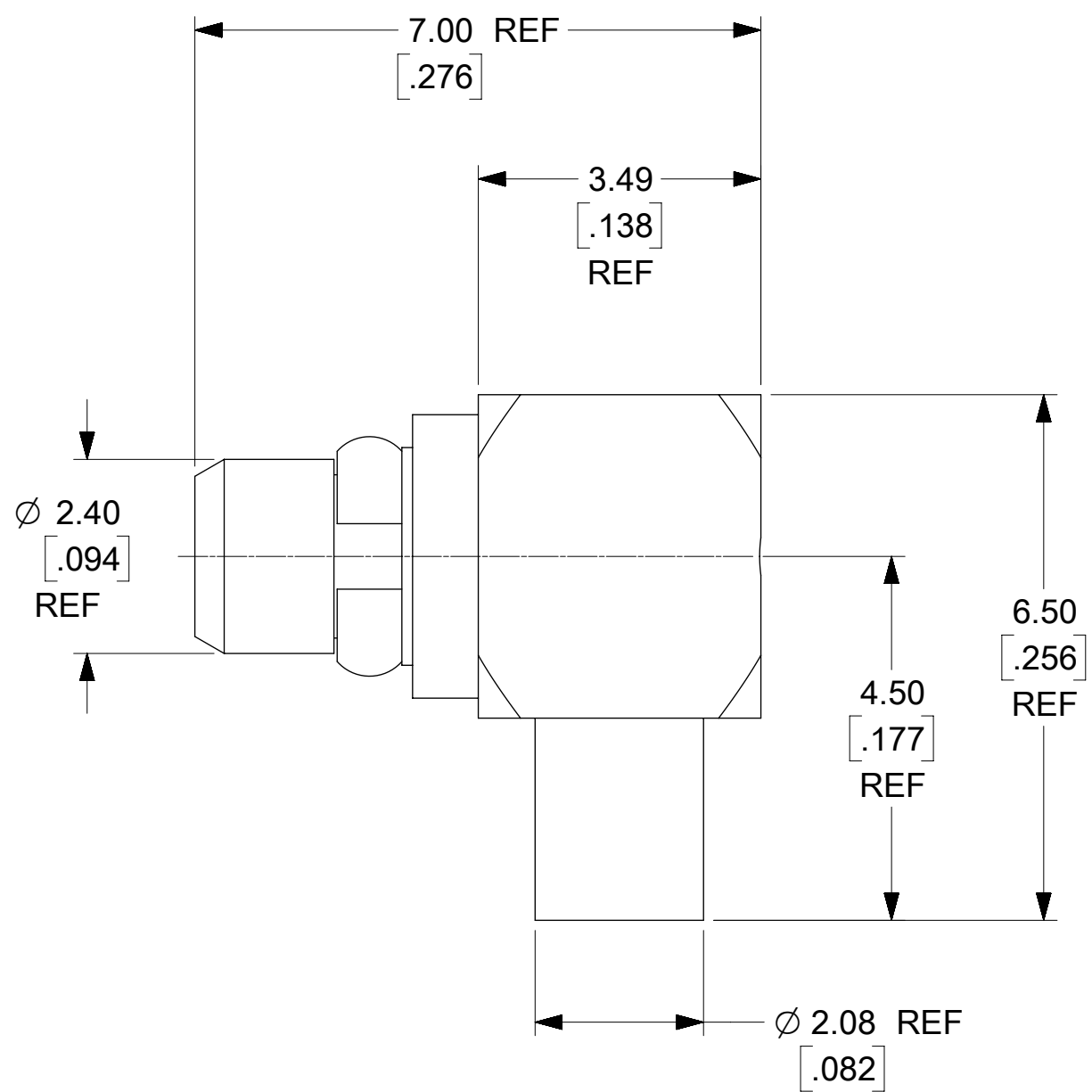
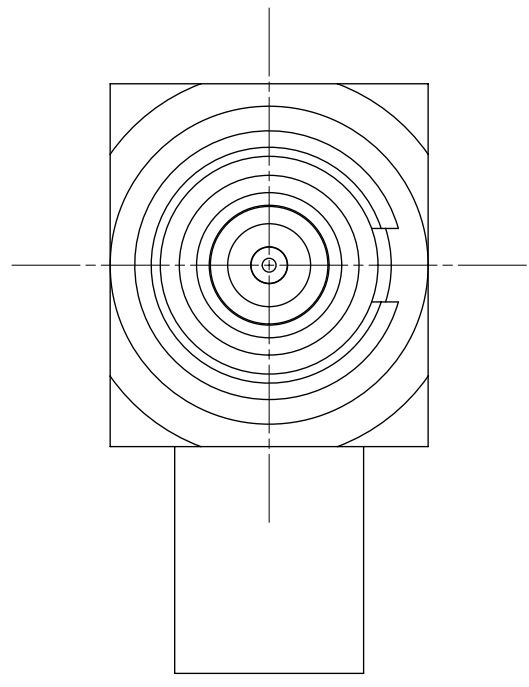
**MATERIALS AND FINISHES:**

BODY, CAP: BRASS  
PLATED: SEE TABLE

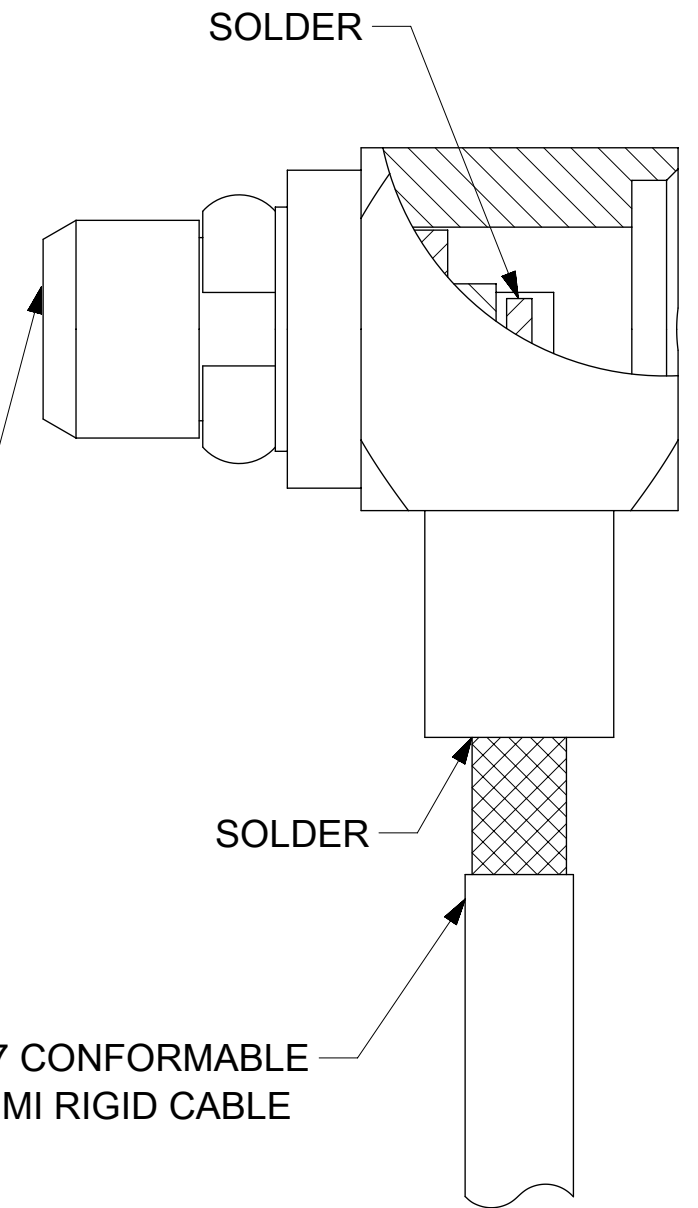
CENTER CONTACT: BRASS  
PLATED: SEE TABLE

SNAP RING: BERYLLIUM COPPER  
PLATED: SEE TABLE

INSULATOR: PTFE



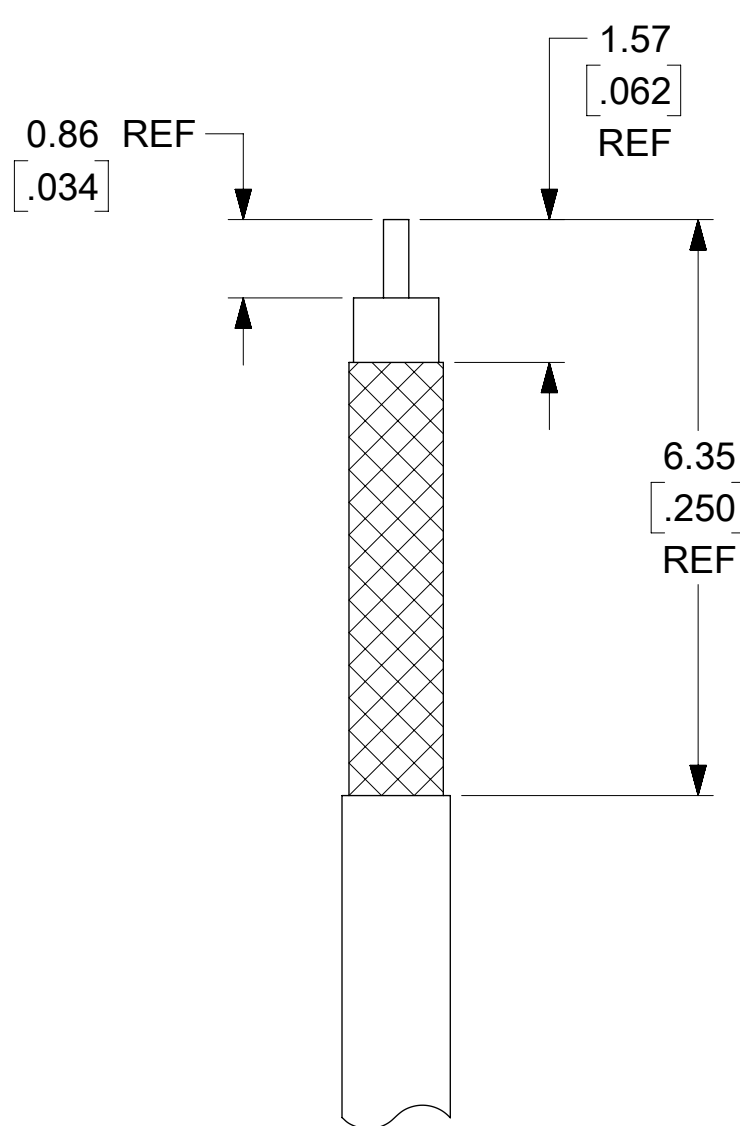
MMCX PLUG INTERFACE



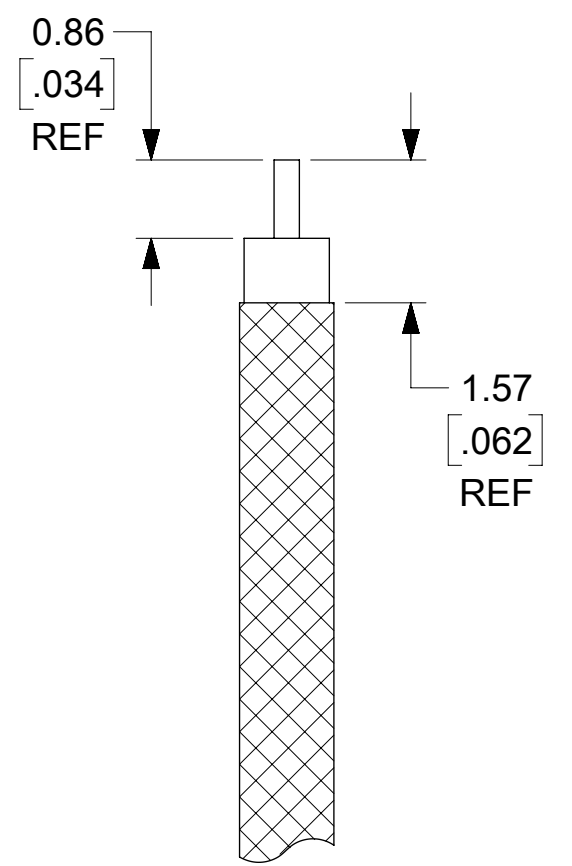
SOLDER

SOLDER

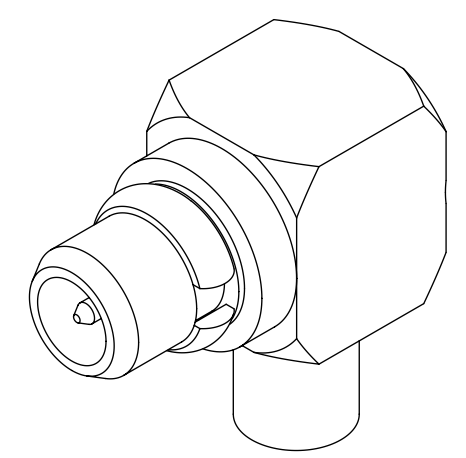
Ø0.047 CONFORMABLE OR SEMI RIGID CABLE



CABLE STRIP DIMENSIONS FOR JACKETED CABLES



CABLE STRIP DIMENSIONS FOR NON-JACKETED CABLES



73415-2151	GOLD (1µ-in MIN) OVER NICKEL (50µ-in MIN)	GOLD (30µ-in MIN) OVER NICKEL (50µ-in MIN)	GOLD (1µ-in MIN) OVER NICKEL (50µ-in MIN)
73415-2150	GOLD (30µ-in MIN) OVER NICKEL (100µ-in MIN)	GOLD (50µ-in MIN) OVER NICKEL (100µ-in MIN)	GOLD (50µ-in MIN) OVER NICKEL (100µ-in MIN)
PART NO.	BODY, SNAP RING	CONTACT	CAP
	FINISHES		

73415-2152	73415-2151, ONE PER BAG
73415-2151	BULK
73415-2150	BULK
PART NO.	PACKAGING

AS-89675-5070	CABLE ASSY INSTRUCTION
IEC-61169-52	INTERFACE
PS-89675-1920	PRODUCT SPECIFICATION
SPECIFICATION	DESCRIPTION

THIS DRAWING CONTAINS INFORMATION THAT IS PROPRIETARY TO MOLEX ELECTRONIC TECHNOLOGIES, LLC AND SHOULD NOT BE USED WITHOUT WRITTEN PERMISSION

QUALITY SYMBOLS	2017/09/13 2017/09/13 2017/09/13	GENERAL TOLERANCES (UNLESS SPECIFIED)	DIMENSION UNITS	SCALE																		
▽ = 0	SEE ECM	<table border="1"> <tr> <th></th> <th>MM</th> <th>INCH</th> </tr> <tr> <td>4 PLACES</td> <td>±</td> <td>±</td> </tr> <tr> <td>3 PLACES</td> <td>±</td> <td>± 0.01</td> </tr> <tr> <td>2 PLACES</td> <td>± 0.25</td> <td>±</td> </tr> <tr> <td>1 PLACES</td> <td>±</td> <td>±</td> </tr> <tr> <td>0 PLACES</td> <td>±</td> <td>±</td> </tr> </table>		MM	INCH	4 PLACES	±	±	3 PLACES	±	± 0.01	2 PLACES	± 0.25	±	1 PLACES	±	±	0 PLACES	±	±	mm	
			MM	INCH																		
4 PLACES			±	±																		
3 PLACES			±	± 0.01																		
2 PLACES			± 0.25	±																		
1 PLACES	±	±																				
0 PLACES	±	±																				
▽ = 0	EC NO: 120304	ANGULAR TOL = 2.0	DRWN BY	DATE																		
▽ = 0	DRWN: BBHARADWAJ	DRIFT WHERE APPLICABLE MUST REMAIN WITHIN DIMENSIONS	JWIENER	2010/12/16																		
▽ = 0	CHKD: BBHARADWAJ		CHK'D BY	DATE																		
▽ = 0	REV / APPR: AROBERTSON		SSS	2010/12/16																		
▽ = 0			APP'R BY	DATE																		
▽ = 0			JWIENER	2010/12/17																		
▽ = 0			DRAWING SIZE	THIRD ANGLE PROJECTION																		
▽ = 0			C																			
▽ = 0																						

**molex**

MMCX PLUG, R/A FOR SR047 CABLE, 50 OHMS, MMCX-PC, EWR-11074

PRODUCT CUSTOMER DRAWING

SERIES	MATERIAL NUMBER	CUSTOMER
73415	SEE TABLE	

DOCUMENT NUMBER	DOC TYPE	DOC PART	SHEET NUMBER
SD-73415-215	PSD	001	1 OF 1