

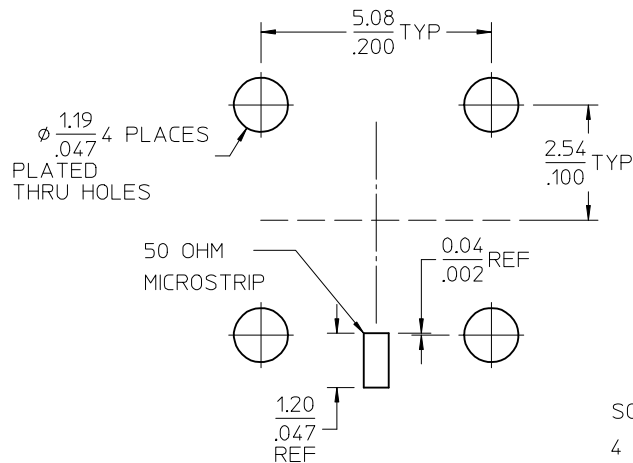
MATERIALS AND FINISHES:

BODY: BRASS
 PLATED: GOLD (8μ-in MIN)
 OVER NICKEL (80μ-in MIN)

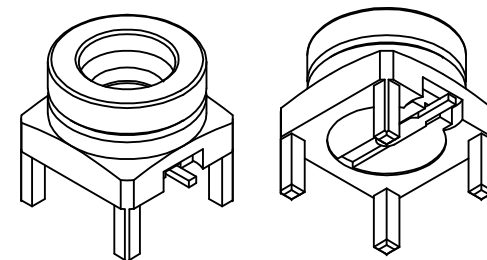
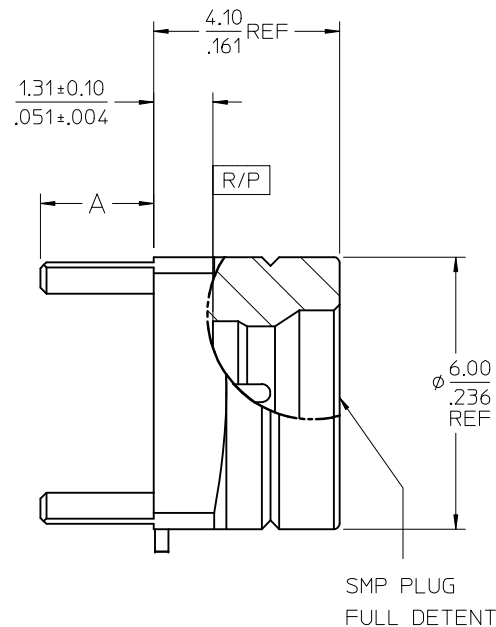
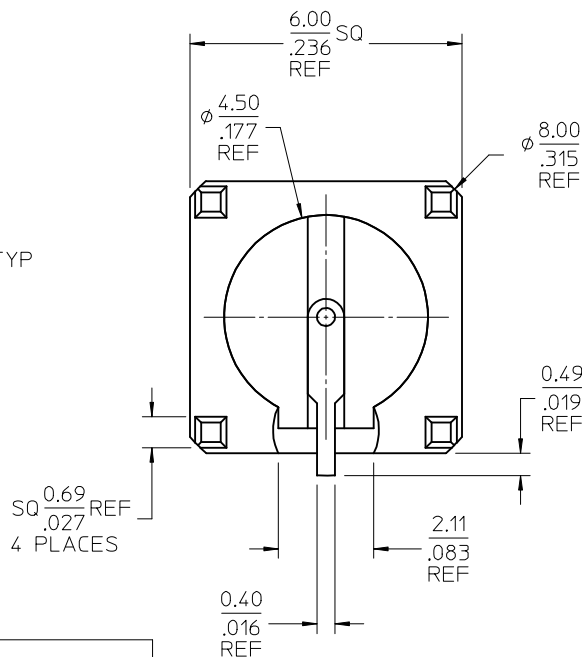
CONTACT: BRASS
 PLATED: GOLD (30μ-in MIN)
 OVER NICKEL (100μ-in MIN)

INSULATOR: PEEK OR LCP

TAPE AND REEL: SEE SHEET 2



RECOMMENDED PCB LAYOUT



73406-6356	.098 / 2.50	ONE PER BAG (73406-6351)
73406-6355	.135 / 3.43	TRAY PACK (73406-6354)
73406-6354	.135 / 3.43	TAPE AND REEL (750 PARTS PER REEL)
73406-6353	.067 / 1.70	TRAY PACK (73406-6352)
73406-6352	.067 / 1.70	TAPE AND REEL (750 PARTS PER REEL)
73406-6351	.098 / 2.50	TRAY PACK (73406-6350)
73406-6350	.098 / 2.50	TAPE AND REEL (750 PARTS PER REEL)
PART NO.	IN / MM	PACKAGING
	DIM A (REF)	

PS-89675-3320	PRODUCT SPECIFICATION
MIL-STD-348B, FIG. 326.2	INTERFACE SMP FD
SPECIFICATION	DESCRIPTION

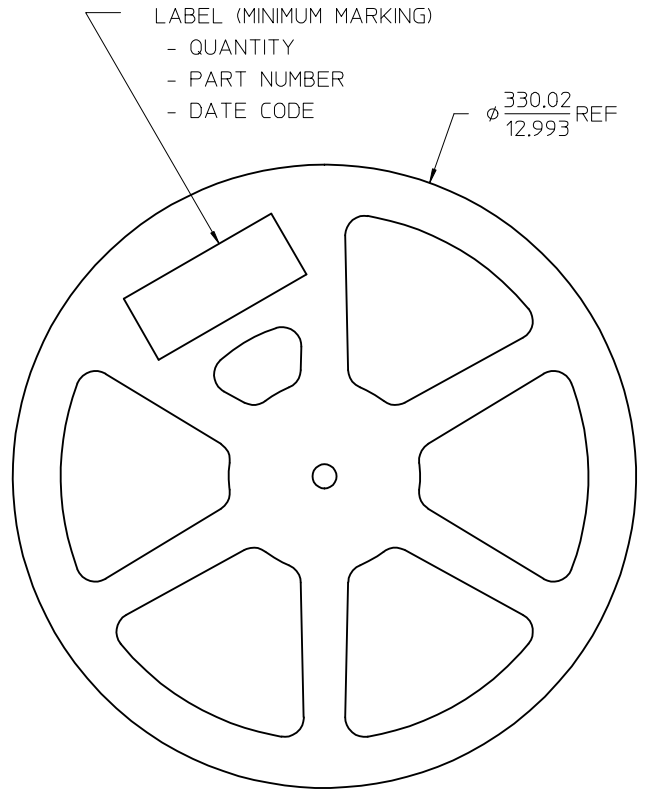
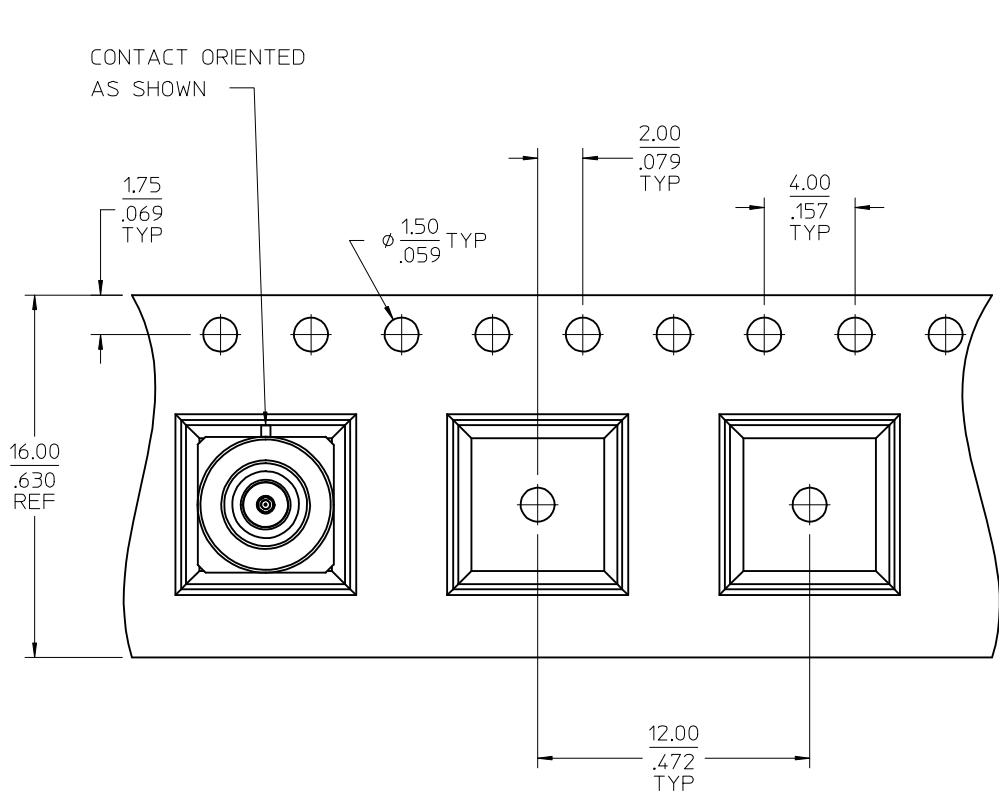
CHG: ADD TOLERANCE TO DIM 1.31/.051 IN I4 ZONE. UPD MATERIALS AND FINISHES NOTE. EC NO: URF-2017-0394. DRWINAPRAKASH01 2017/05/30. CHKD:888 2017/05/30. APPR:AROBERTSON 2017/06/28. REV: A1

QUALITY SYMBOLS
 ∇=0
 ∇=0
 ∇=0

GENERAL TOLERANCES (UNLESS SPECIFIED)
 mm INCH
 4 PLACES ± --- ± ---
 3 PLACES ± --- ± .010
 2 PLACES ± 0.25 ± ---
 1 PLACE ± --- ± ---
 0 PLACE ± --- ± ---
 ANGULAR ± 2 °
 DRAFT WHERE APPLICABLE MUST REMAIN WITHIN DIMENSIONS

DIMENSION STYLE MM/IN
 DRAWN BY AROBERTSON DATE 2012/06/05
 CHECKED BY SSS DATE 2012/06/05
 APPROVED BY JW IENER DATE 2012/06/11
 MATERIAL NO. SEE TABLE

SCALE DESIGN UNITS INCH
 TITLE SMP PLUG FULL DETENT VERT PCB TH SMT SIGNAL SMP-P/PCB, EWR-4979
 molex
 DOCUMENT NO. SD-73406-635 SHEET NO. 1 OF 2
 THIS DRAWING CONTAINS INFORMATION THAT IS PROPRIETARY TO MOLEX INCORPORATED AND SHOULD NOT BE USED WITHOUT WRITTEN PERMISSION



CHG: SEE SHEET 1 EC NO: URF2017-0394 DRWN:APRAKASH01 2017/05/30 CHKD:BBB 2017/05/30 APPR:AROBERTSON 2017/06/28	QUALITY SYMBOLS ▽=0 ▽=0 ▽=0	GENERAL TOLERANCES (UNLESS SPECIFIED)		DIMENSION STYLE MM/IN		SCALE	DESIGN UNITS INCH	THIRD ANGLE PROJECTION			
		4 PLACES ± --- ± ---	mm INCH	DRAWN BY AROBERTSON	DATE 2012/06/05	TITLE SMP PLUG FULL DETENT VERT PCB TH SMT SIGNAL SMP-P/PCB, EWR-4979					
		3 PLACES ± --- ± .010		CHECKED BY SSS	DATE 2012/06/05	DOCUMENT NO. SD-73406-635					
		2 PLACES ± 0.25 ± --- 1 PLACE ± --- ± --- 0 PLACE ± --- ± ---		APPROVED BY JW IENER	DATE 2012/06/11	SHEET NO. 2 OF 2					
DRAFT WHERE APPLICABLE MUST REMAIN WITHIN DIMENSIONS		ANGULAR ± 2 °		SEE SHEET 1		THIS DRAWING CONTAINS INFORMATION THAT IS PROPRIETARY TO MOLEX INCORPORATED AND SHOULD NOT BE USED WITHOUT WRITTEN PERMISSION					