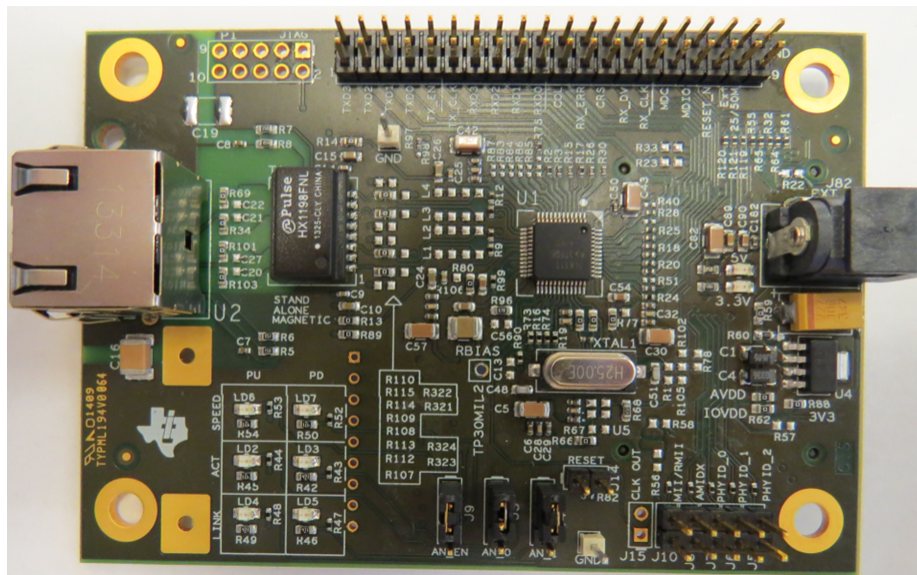


TLK111EVM

This user guide details the characteristics, operation, and use of the Industrial Ethernet TLK111EVM (EVM). The EVM enables Texas Instruments customers to quickly design and market systems using the TLK111. This document also includes schematic diagrams, a printed-circuit board (PCB) layout, board assembly and board marking drawings, and a bill of materials (BOM).



Contents

1	Features	3
2	Description	3
3	Applications	3
4	System Description	3
5	Design Features	4
6	General Block Diagram	5
6.1	Power Supply Options	5
6.2	Serial Management and MAC Interfaces	5
6.3	MDI Modes	6
6.4	LED Options	6
6.5	Bootstrap Options/Jumpers	6
6.6	Clock Options	6
7	Power Supply Modes	6
7.1	Default Configuration	6
8	Serial Management and MII/RMII Interfaces	7
8.1	Serial Management for Standalone TLK111EVM	7
8.2	MII Interface	8
8.3	RMII Interface	9
9	MDI Modes	10
9.1	Default Configuration – Separate Magnetic and RJ45 Connector	10
9.2	Fiber Transceiver Operation	10
9.3	Integrated Magnetic with RJ45 Connector	12

	9.4 Transformerless Operation	13
10	Clock Options	14
	10.1 Default Configuration	14
	10.2 25M OSC Configuration	14
	10.3 External Clock Supplied to TLK11x	14
11	Schematics	15
12	Layout.....	20
13	Board Assembly	22
14	Board Marking (Silk)	23
15	Bill of Materials (BOM).....	24

List of Figures

1	General Block Diagram	5
2	MDIO/MDC Interface Block Diagram.....	7
3	MII Interface Block Diagram	8
4	RMII Interface Block Diagram	9
5	Separate Magnetic with RJ45 Block Diagram	10
6	Optic Transceiver Block Diagram	11
7	Integrated Magnetic with RJ45 Block Diagram.....	12
8	Transformerless Operation Block Diagram	13
9	25M OSC Modifications	14
10	Schematic (1 of 5).....	15
11	Schematic (2 of 5).....	16
12	Schematic (3 of 5).....	17
13	Schematic (4 of 5).....	18
14	Schematic (5 of 5).....	19
15	Layer 1 – Signal	20
16	Layer 2 – GND.....	20
17	Layer 3 – Power	21
18	Layer 4 – Signal	21
19	Layer 1 – Components Side Assembly.....	22
20	Layer 4 – Print Side Assembly	22
21	Layer 1 – Components Side Silk	23
22	Layer 4 – Print Side Silk.....	23

List of Tables

1	Design Features	4
2	Bill of Materials	24

1 Features

- Low power consumption:
 - Single supply < 275 mW
 - Dual supply < 200 mW
- Programmable power back off, reducing PHY power up to 20% in systems with shorter cables
- Error-free 100Base-T operation up to 150 meters under typical conditions
- Error-free 10Base-T operation up to 300 meters under typical conditions
- Variable I/O voltage range: 1.8 V to 3.3 V

2 Description

The Industrial Ethernet TLK111EVM enables Texas Instruments customers to quickly design and market systems using the TLK111 device. Customers are encouraged to use a design similar to the EVM circuit to expedite their product development. TLK111EVM can be operated using only single voltage (5-V DC jack, J82). On default configuration, all other voltages are on-board regulated and internally produced.

The EVM kit contains:

- TLK111EVM unit
- Printed copy of this user's guide

3 Applications

- Industrial networks and factory automation
- Motor and motion control

4 System Description

Ethernet simple and effective design has made it the most popular networking solution at the physical and data link levels. With high-speed options and a variety of media types to choose from, Ethernet is efficient and flexible. These factors and the low cost of Ethernet hardware have made Ethernet an attractive option for industrial networking applications. Also, the opportunity to use open protocols such as TCP/IP-over-Ethernet networks offers the possibility of a level of standardization and interoperability. The result has been an ongoing shift toward the use of Ethernet for industrial control and automation applications. Ethernet is increasingly replacing proprietary communications.

The TLK111EVM reference design enables Texas Instruments customers to quickly design and release to market systems using TI industrial Ethernet PHY transceiver devices. The TLK111EVM has been designed in a small (2.6 in × 3.7 in) form factor which makes it easy to fit into any of the present products.

The reference design platform demonstrates the advanced performance of the TLK111 Ethernet PHY transceiver devices. The design supports 10/100 Base-T and is compliant with IEEE 802.3 standard. The reference design operates from a single power supply (5 V with on-board regulator) or from a dual power supply (1.55V supplied from external source). On single supply option, only 5-V jack (J82) is connected (default mode of operation), while all other voltages required for the Ethernet PHY transceiver are on-board regulated and internally generated within the device.

5 Design Features

Table 1. Design Features

Feature	Description
Ethernet PHY	The TLK111 Ethernet PHY features: <ul style="list-style-type: none"> • Industrial temperature rating: –40°C to +85°C • Configurable PHY addresses – jumpers and resistor strapping options, supporting address space 00-31h (5bits, default address 0x1). • MII or RMII – jumper strapping option.
Power consumption	Single Supply < 275 mW Dual Supply < 200 mW
Power supply	The device is designed for power-supply flexibility and can operate with a single 3.3-V power supply. Possible power input options include: <ul style="list-style-type: none"> • 5 V from external DC jack connector and on-board regulator to generate 3.3 V • 3.3-V DC input through the serial connectors (J11/J13) and internally regulate the 1.55-V supply. • Both 3.3-V DC and 1.55-V DC supplied through the serial connectors (J11/J13)
MAC - Controller interface	<ul style="list-style-type: none"> • 40-pin header to allow customers to plug their own MAC to the TLK111EVM, using DC wires, and using these as a MAC interface. • 2x 50 pin serial connectors to accommodate all MII/RMII interface signals
Clock	<ul style="list-style-type: none"> • 25-MHz crystal with internal oscillator (default) • Operation with 25-MHz OSC • External clock supported through pin 37 of J12 header.
Status LEDs	Three LEDs (configured as PU or PD)
AFE supported	<ul style="list-style-type: none"> • Default operation, separate magnetic, Pulse HX1198FNL • Integrated magnetic, Pulse J3011G21DNLT • Transformerless operation • Fiber operation, Avago HFBR-58036AQZ

6 General Block Diagram

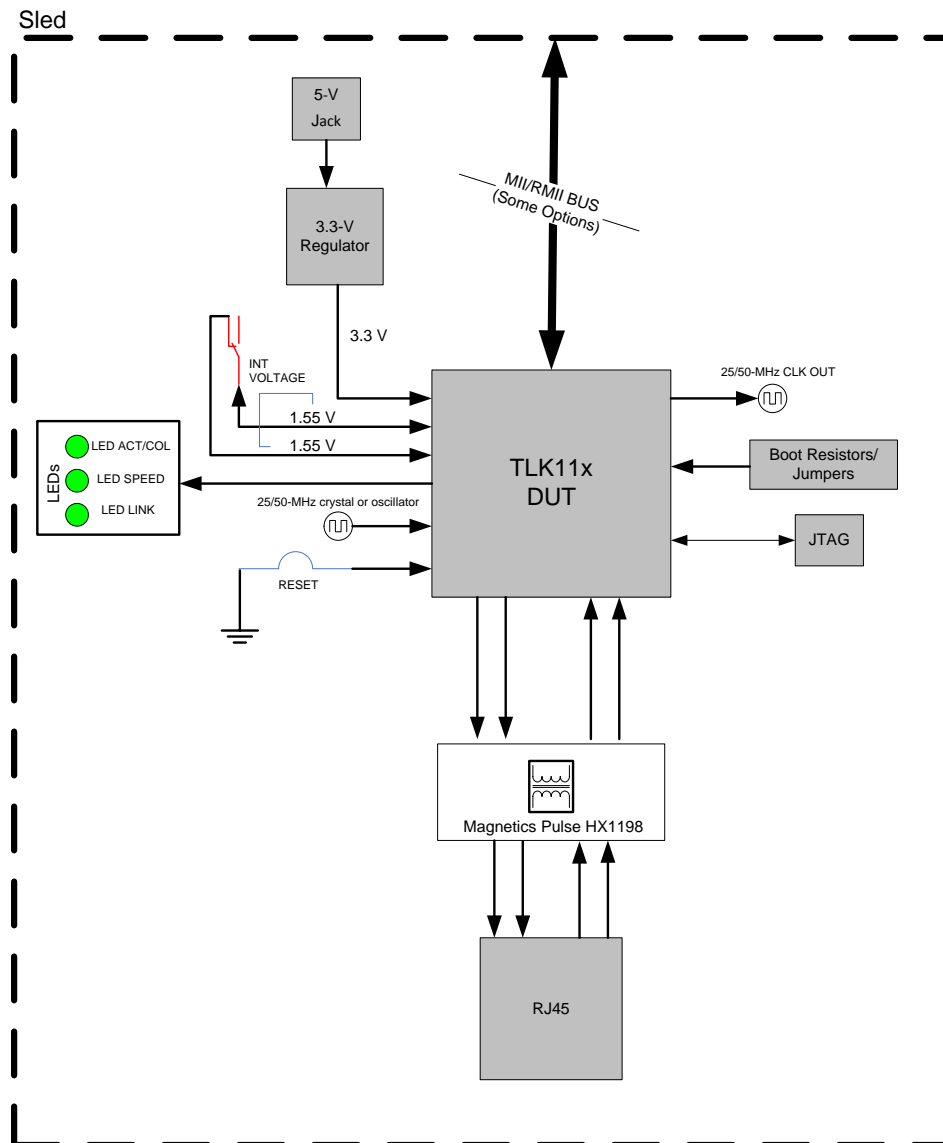


Figure 1. General Block Diagram

6.1 Power Supply Options

The TLK111EVM power is supplied by feeding 5 V to the DC jack. This option uses the on-board 3.3-V regulator and uses the TLK in single-supply mode.

6.2 Serial Management and MAC Interfaces

The TLK111EVM supports a few options for serial management (MDIO/MDC) and for MII/RMII as MAC Interfaces. The easiest option is to connect the MDIO/MDC pins (35/33 pins) on the 40-pin header (J12) and one GND pin to an Ethernet MAC. This option allows read/write registers, activating force transmission and configuring loops to the TLK. Another option is to connect the entire MII interface to an Ethernet MAC, allowing full testing of the TLK with a working system.

RMII interface to the MAC is also possible in the same way, but needs to share a 50M clock with the MAC. Sharing a 50M clock is done by connecting the *Ext 25/50M* pin (pin 37) of the 40-pin header (J12) to the same clock source of the MAC. Some modifications to the TLK111EVM are required in order to share the 50M clock.

6.3 MDI Modes

The TLK111EVM supports the following MDI options:

1. Default RJ45 with standalone magnetic (Pulse HX1198FNL)
2. RJ45 with integrated magnetic (Pulse J3011G21DNLT, not mounted)
3. Fiber transceiver operation (Avago HFBR-5803, not mounted)
4. Transformerless operation

All modes are configured by connecting the required resistors and components to the TLK111EVM.

6.4 LED Options

TLK111 supports three LEDs, for link/speed/act indications.

The TLK LEDs can operate as current source (when connected to pull-down) or current sink (when connected to pull-up).

6.5 Bootstrap Options/Jumpers

Some TLK111 configurations are done through bootstrap options; using selection with jumpers or using resistors population.

The TLK111EVM supports the following jumper configurations:

- PHY_ID0
- PHY_ID1
- PHY_ID2
- AMDIX Disable
- MII/RMII Mode
- AN_EN
- AN_0
- AN_1

The TLK111EVM supports the following resistor configurations:

- PHY_ID3
- PHY_ID4
- LED Mode

6.6 Clock Options

The TLK111EVM can support few clock options:

- 25 MHz from crystal is the default configuration.
- 25 MHz from OSC can be configured by board modifications.
- External clock can be supplied by 40-pin header (J12).

7 Power Supply Modes

7.1 Default Configuration

When using default configuration, only 5V should be connected to the TLK111EVM, allowing on-board regulator to supply the required 3.3V supplies to the TLK, which is using its internal LDO to supply the 1.55V.

8 Serial Management and MII/RMII Interfaces

8.1 Serial Management for Standalone TLK111EVM

Minimal operation with TLK111EVM would be to just connect MDIO/MDC and GND pins to a MAC with MDIO/MDC capabilities. This allows the user to read/write registers and configure the TLK111 to the different loopback modes and activate the TLK111 for basic testing.

This mode doesn't allow full MII interface – transferring packets between the MAC and TLK111. For such operation all MII signals should be connected (see *MII Interface Connection for Standalone TLK111EVM* section).

8.1.1 Serial Management – Block Diagram

For using MDIO/MDC interface on the TLK111EVM, no changes are required. Simply connect pins 31 and 33 of J12 (40-pin header) to the MAC and one GND pin should be enough.

Note – for stable registers reading more than one GND connection should be shared between the boards.

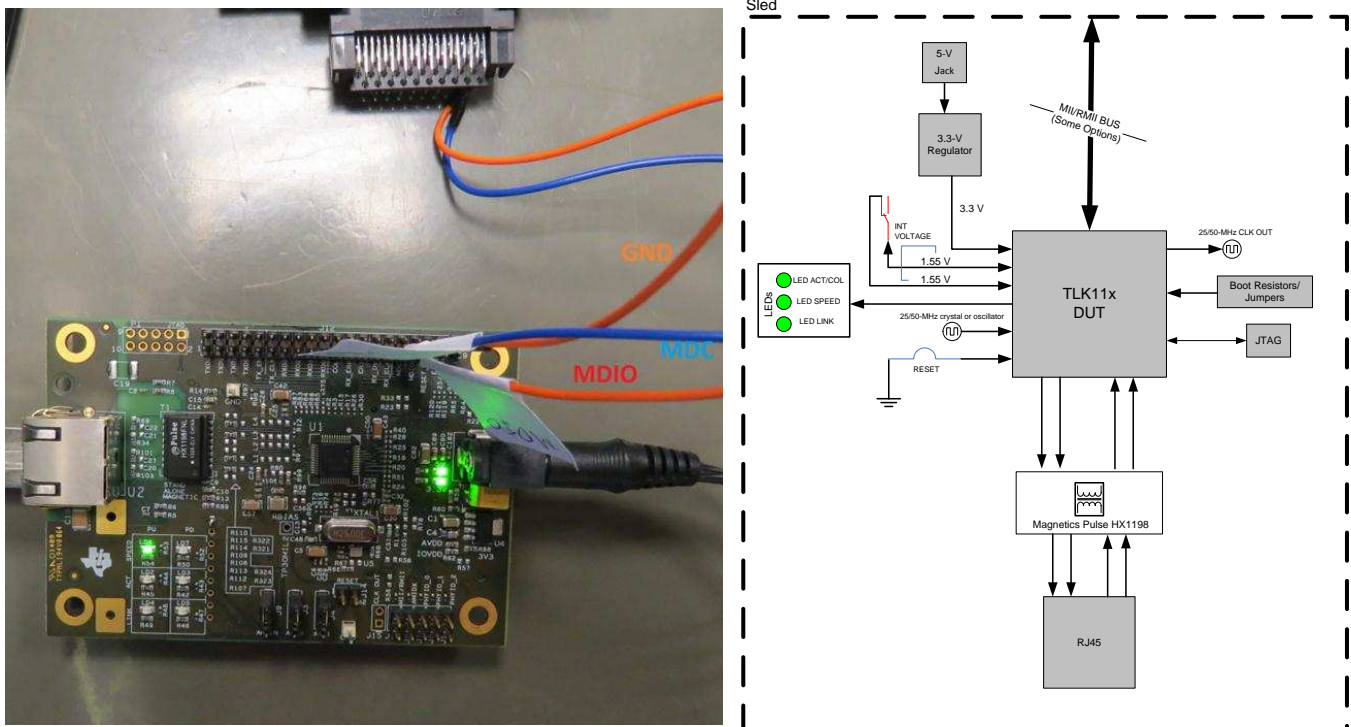


Figure 2. MDIO/MDC Interface Block Diagram

8.2 MII Interface

8.2.1 MII Interface Connection for Standalone TLK111EVM

TLK111EVM can be connected to any MAC system, by routing the MII signals to the 40-pin header (J12). In this mode full system testing can be done, with transferring packets between the MAC and the TLK111.

8.2.2 MII Interface – Block Diagram

No changes are required to use the MII interface on the TLK111EVM with any MAC system. Simply connect the relevant pins of J12 (40-pin header) to the MAC and GND pins.

NOTE: For operation, more than one GND connection should be shared between the boards.

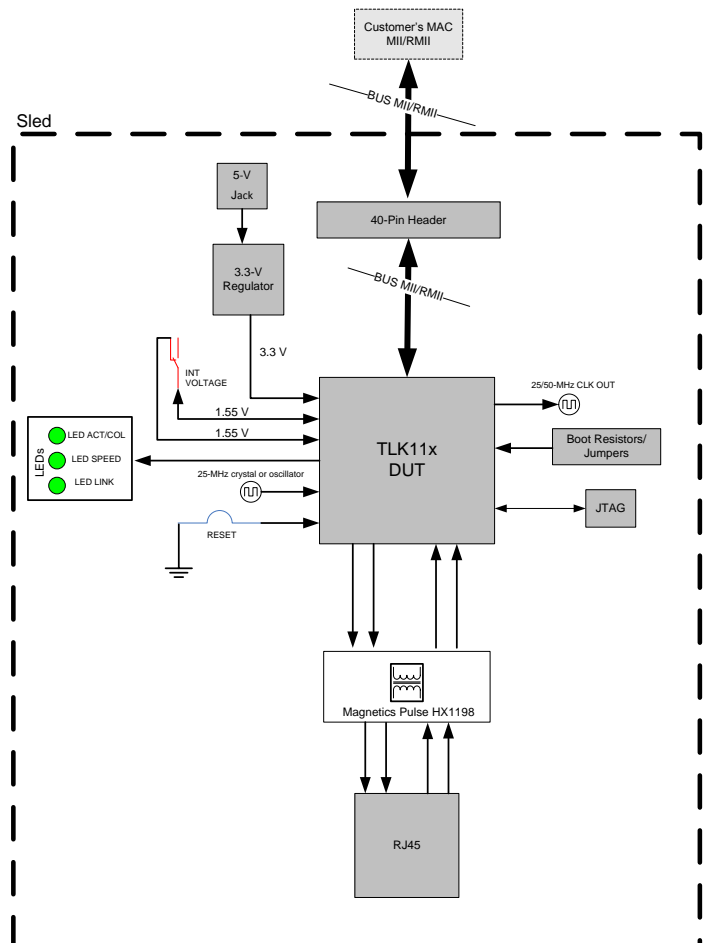
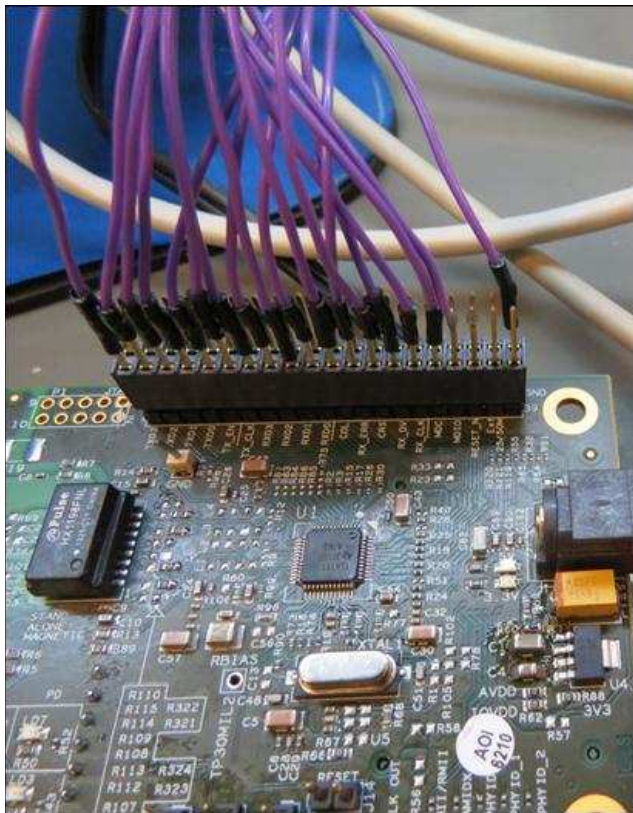


Figure 3. MII Interface Block Diagram

8.3 RMII Interface

8.3.1 RMII Interface Connection for Standalone TLK111EVM

TLK111EVM can be connected to any MAC system, but routing the RMII signals to the 40-pin header (J12). In this mode full system testing can be done by transferring packets between the MAC and the TLK111

8.3.2 RMII – Block Diagram

To use the RMII interface on the TLK111EVM with any MAC system, a few changes are required to route the shared clock to the TLK111:

- Connect 0R to R78
- Disconnect R71 and R72
- Connect the shared 50M clock to *Ext 25/50M* pin (pin 37) of 40-pin header (J12) and to the MAC

Besides the previous changes, simply connect the relevant pins of J12 (40-pin header) to the MAC and GND pins.

NOTE: For operation, more than one GND connection should be shared between the boards. Please also refer to the TLK111 datasheet ([SLLSEF8](#)) for RMII working mode and requirements on the shared clock (50 MHz) and strap pin (RX_DV).

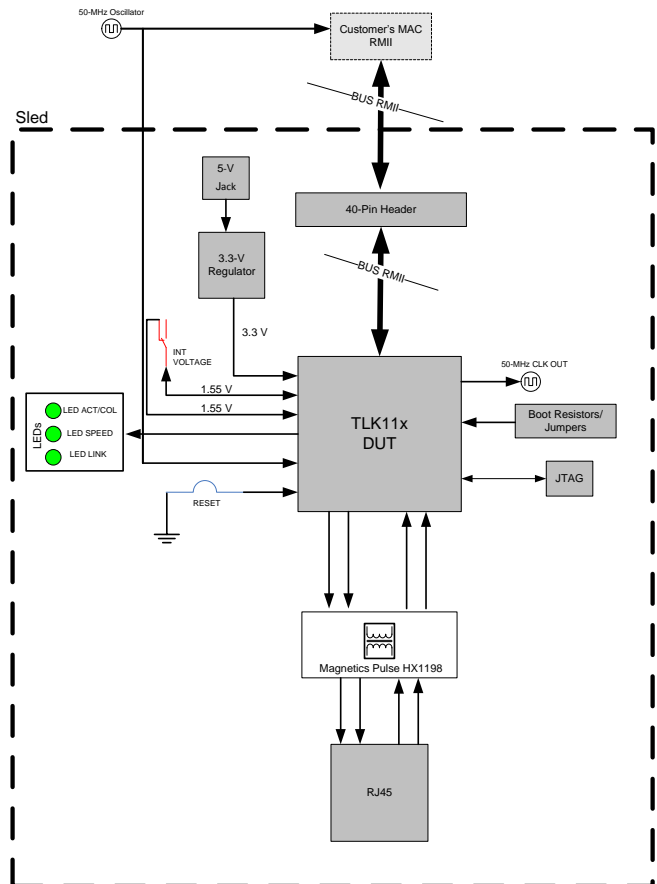
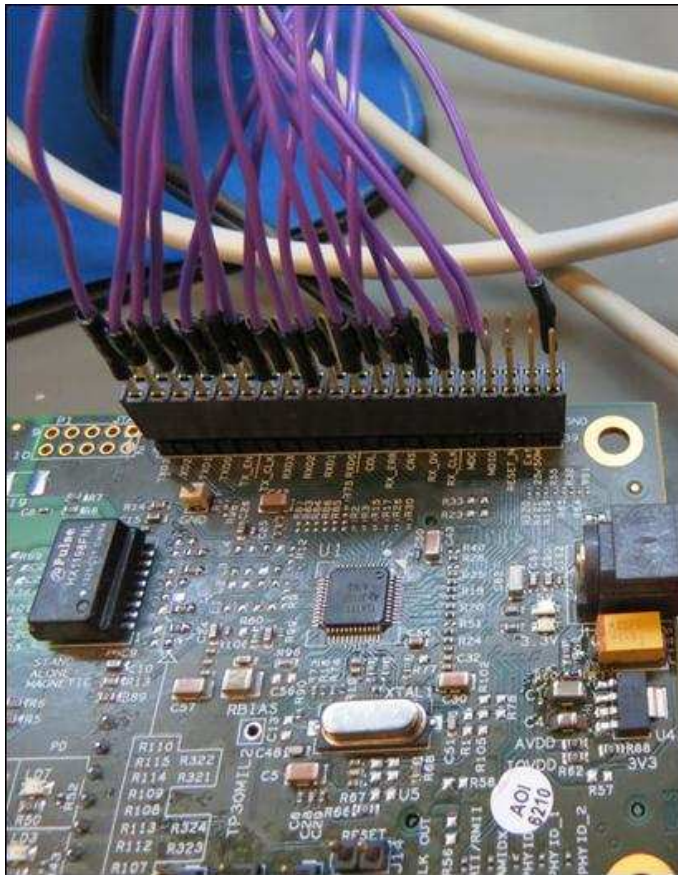


Figure 4. RMII Interface Block Diagram

9 MDI Modes

9.1 Default Configuration – Separate Magnetic and RJ45 Connector

The TLK111EVM supports MDI options. The default configuration is for the TLK111 to use RJ45 with standalone magnetic (Pulse HX1198FNL).

For this working mode, no changes are required to the TLK111EVM (default configuration).

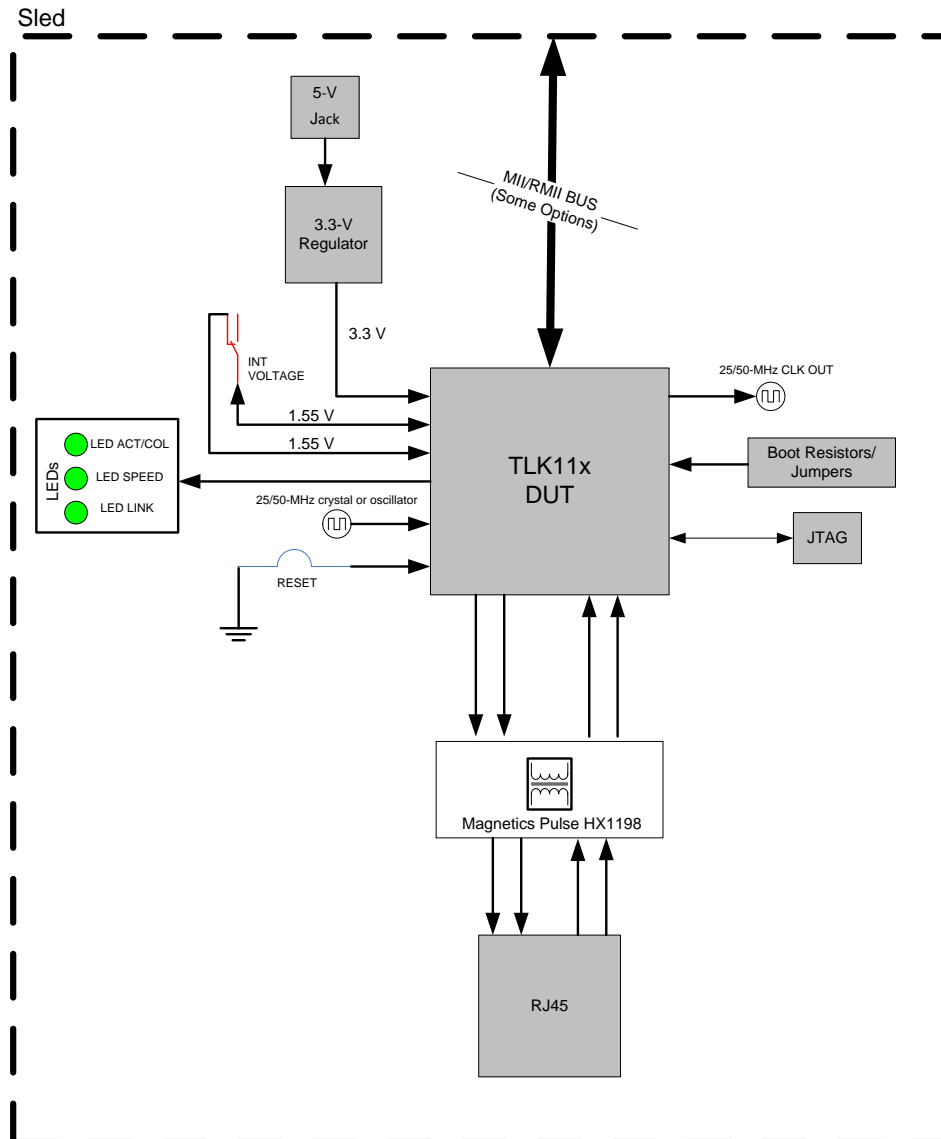


Figure 5. Separate Magnetic with RJ45 Block Diagram

9.2 Fiber Transceiver Operation

The TLK111 supports Fiber mode. Please follow datasheet recommendations on how to configure the TLK111 for fiber mode.

Working with Fiber transceiver (Avago HFBR-5803, not mounted) is possible on the TLK111EVM.

The footprint for the Fiber transceiver option can be found on the bottom of the TLK111EVM.

In order to work with integrated magnetic, the following modifications to the TLK111EVM are required:

- Connect 0R to the following resistors:

- R323, R324, R321, R322, R116
- Connect 130R to the following resistors:
 - R337, R339, R394, R396, R398
- Connect 82R to the following resistors:
 - R338, R340, R395, R397, R399
- Connect 100 nF to the following capacitors:
 - C17, C18, C251, C253, C254
- Connect 10 nF to C231
- Mount L14 and L15 with Ferrite-Bead 120R, 800 mA, 0805
- Disconnect the following resistors:
 - R112, R113, R114, R115 (0R)
 - R11, R12 (49.9R)
 - Remove T1 (separate magnetic)
- Disconnect the following capacitors:
 - C23, C24
- Connect U24 – Avago HFBR-5803 Fiber transceiver
- Remove T1 (separate magnetic)

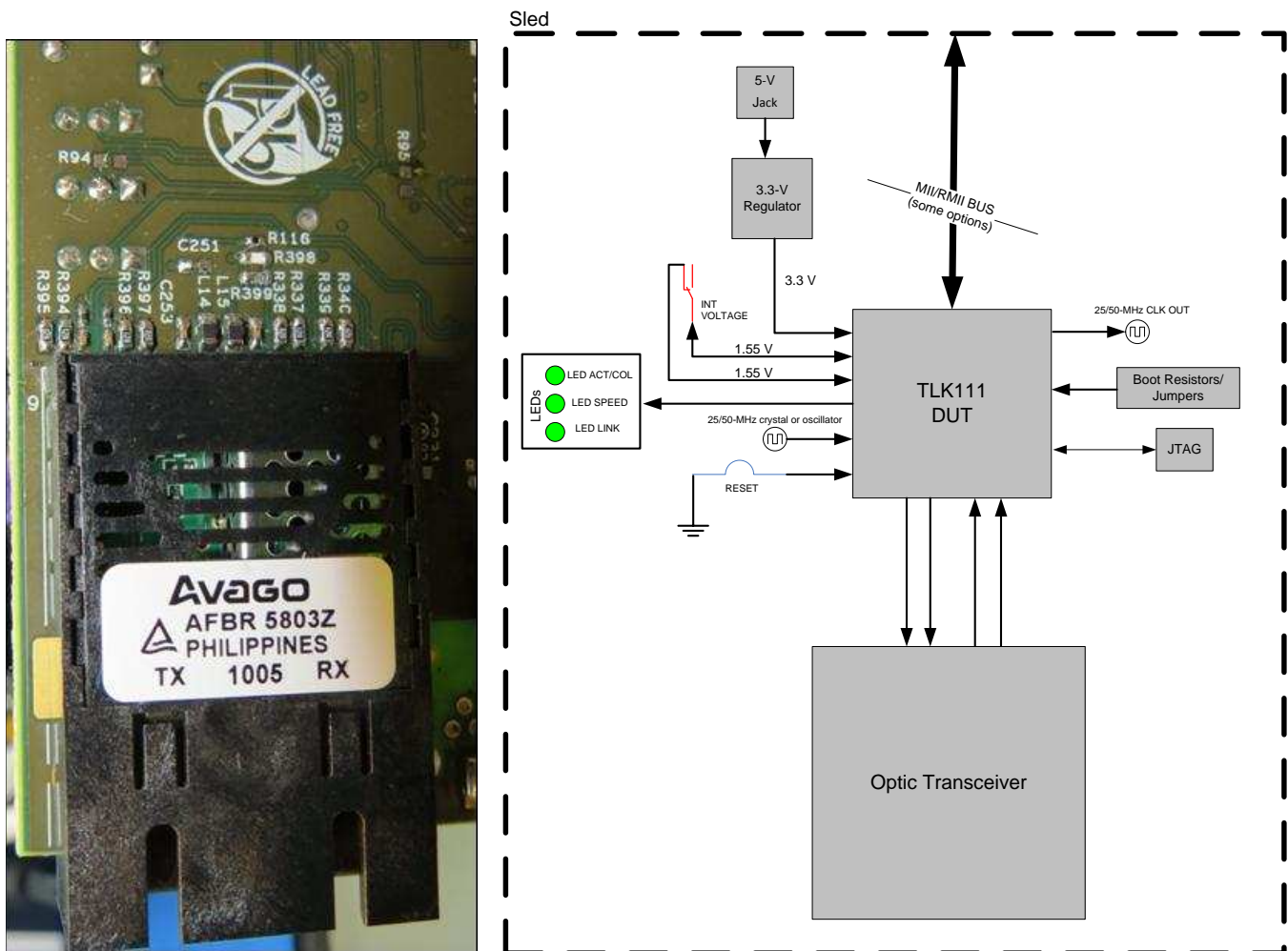


Figure 6. Optic Transceiver Block Diagram

9.3 Integrated Magnetic with RJ45 Connector

The TLK111EVM can operate using RJ45 with integrated magnetic (Pulse J3011G21DNLT, not mounted). The footprint for the integrated magnetic option is found on the bottom of the TLK111EVM.

In order to work with integrated magnetic, the following modifications are required to the TLK111EVM:

- Connect 0R to the following resistors:
 - R104, R81, R94, R95
 - R107, R108, R109, R110
- Connect 100 nF to the following capacitors:
 - C11, C12
- Disconnect the following resistors:
 - R112, R113, R114, R115
 - R101, R103, R34, R69
- Connect J1 – Pulse J3011G21DNLT integrated magnetic.
- U2 (RJ45 connector) must be removed before trying to solder J1.

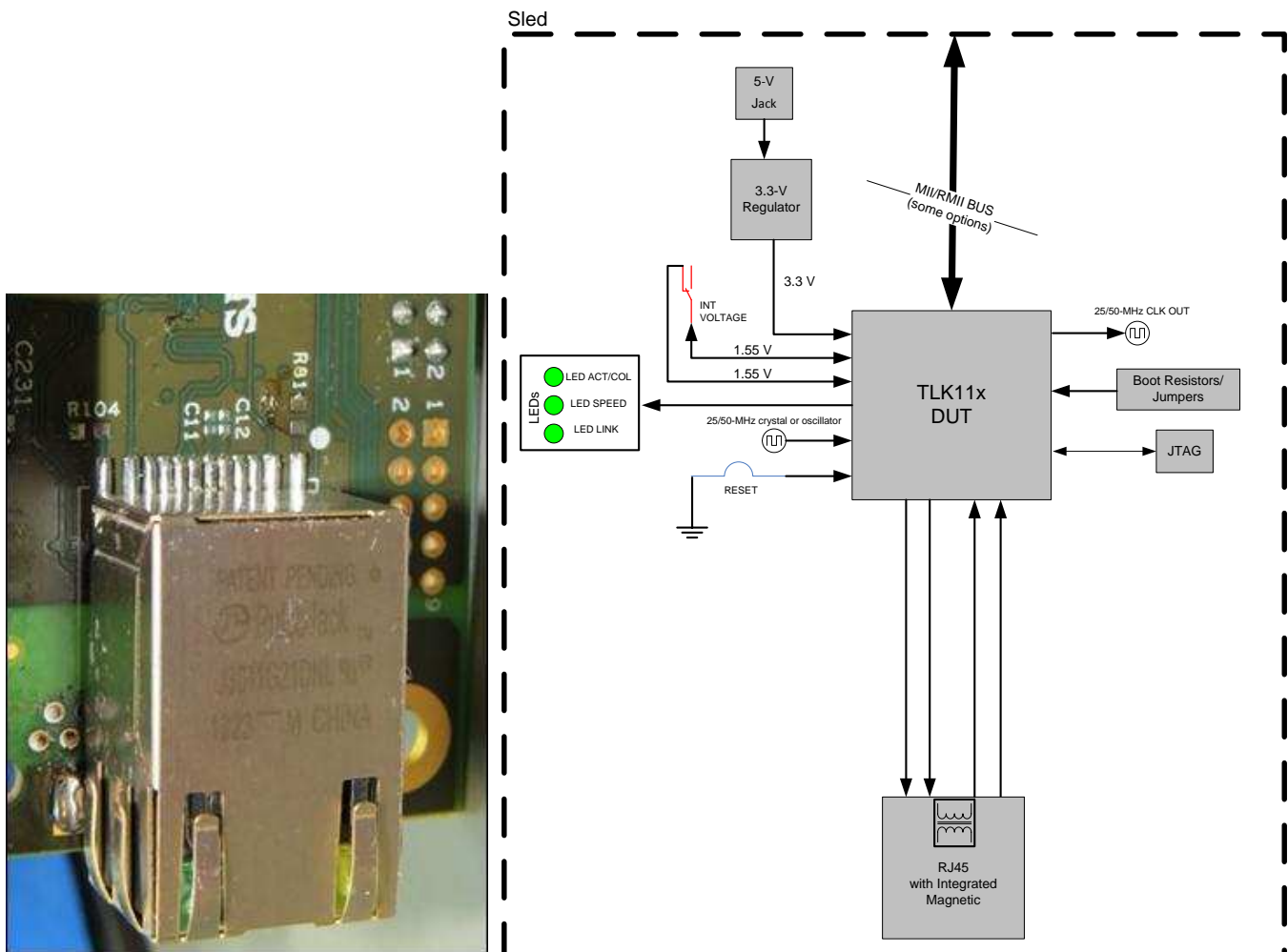


Figure 7. Integrated Magnetic with RJ45 Block Diagram

9.4 Transformerless Operation

The TLK111EVM supports transformerless operation, with no magnetic on the MDI path, but with capacitors instead. For more details on transformerless operation, refer to *TLK110 Ethernet PHY Transformerless Operation* ([SLLA327](#)).

In order to work in transformerless mode, the following modifications are required to the TLK111EVM:

- Connect 0R to the following resistors:
 - R107, R108, R109, R110
- Disconnect the following resistors:
 - R112, R113, R114, R115
 - R101, R103, R34, R69
- Connect 33 nF to the following capacitors:
 - C20, C21, C22, C27

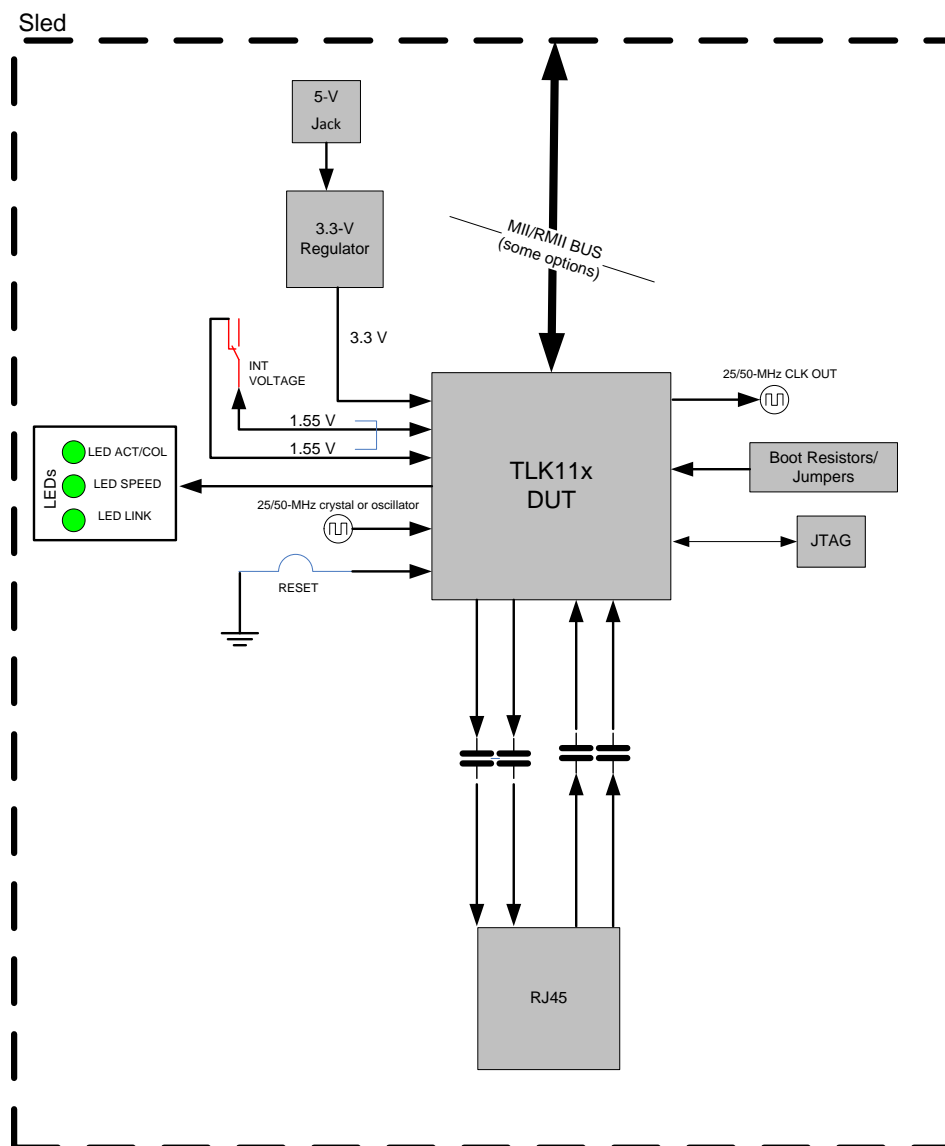


Figure 8. Transformerless Operation Block Diagram

10 Clock Options

10.1 Default Configuration

The TLK111EVM supports a few clock options, with default configuration of 25 MHz from crystal. In this mode an external crystal resonator is connected across pins XI and XO.

The crystal must be 25 MHz \pm 50ppm-tolerance crystal reference.

10.2 25M OSC Configuration

The TLK11x can also operate with 25M external CMOS-level oscillator source connected to pin XI only. Please refer to the datasheet for OSC requirement specifications.

In order to operate with 25M OSC, the following modifications are required:

- U5 OSC should be mounted – Epson, SG-211SCE (d) 25 MHz (footprint SMT 2 x 2.5)
- 0R should be mounted to R1 resistor location
- Disconnect the following resistors: R71, R72

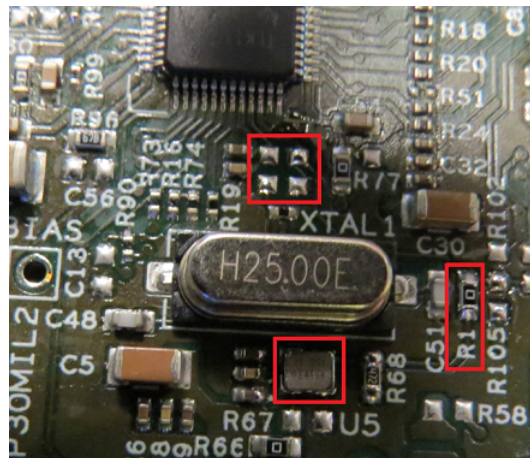


Figure 9. 25M OSC Modifications

10.3 External Clock Supplied to TLK11x

External clock can be supplied to the TLK11x by using the 40-pin header (J12).

The external clock must meet the TLK11x datasheet requirements and to be within 25 MHz \pm 50ppm-tolerance.

The following changes are required to route the external clock to the TLK11x:

- Connect 0R to R78
- Disconnect the following resistors: R71, R72
- External clock (25M/50M) should be connected to *Ext 25/50M* pin (pin 37) of 40-pin header (J12)

11 Schematics

Figure 10 through Figure 14 illustrate the TLK11x schematics.

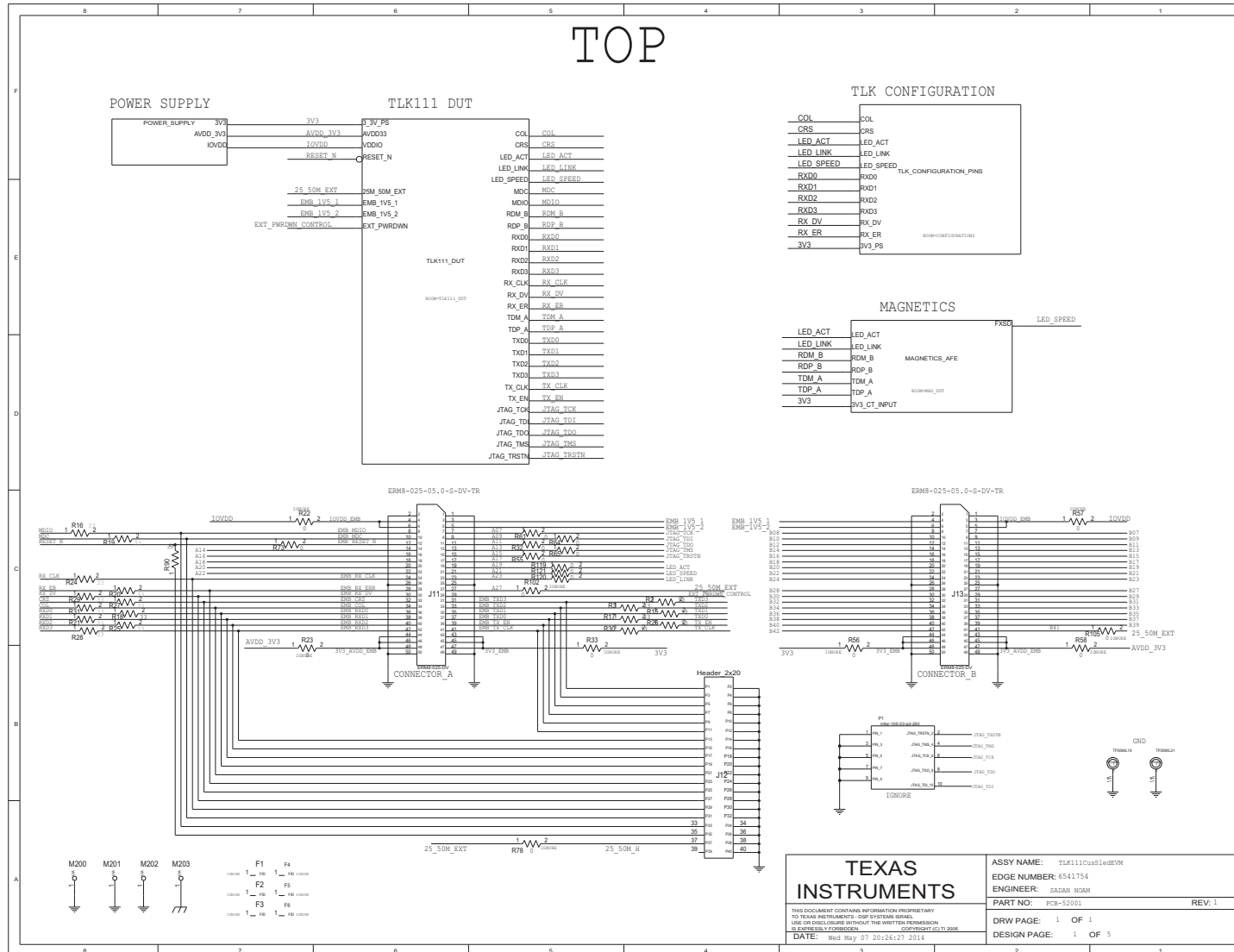


Figure 10. Schematic (1 of 5)

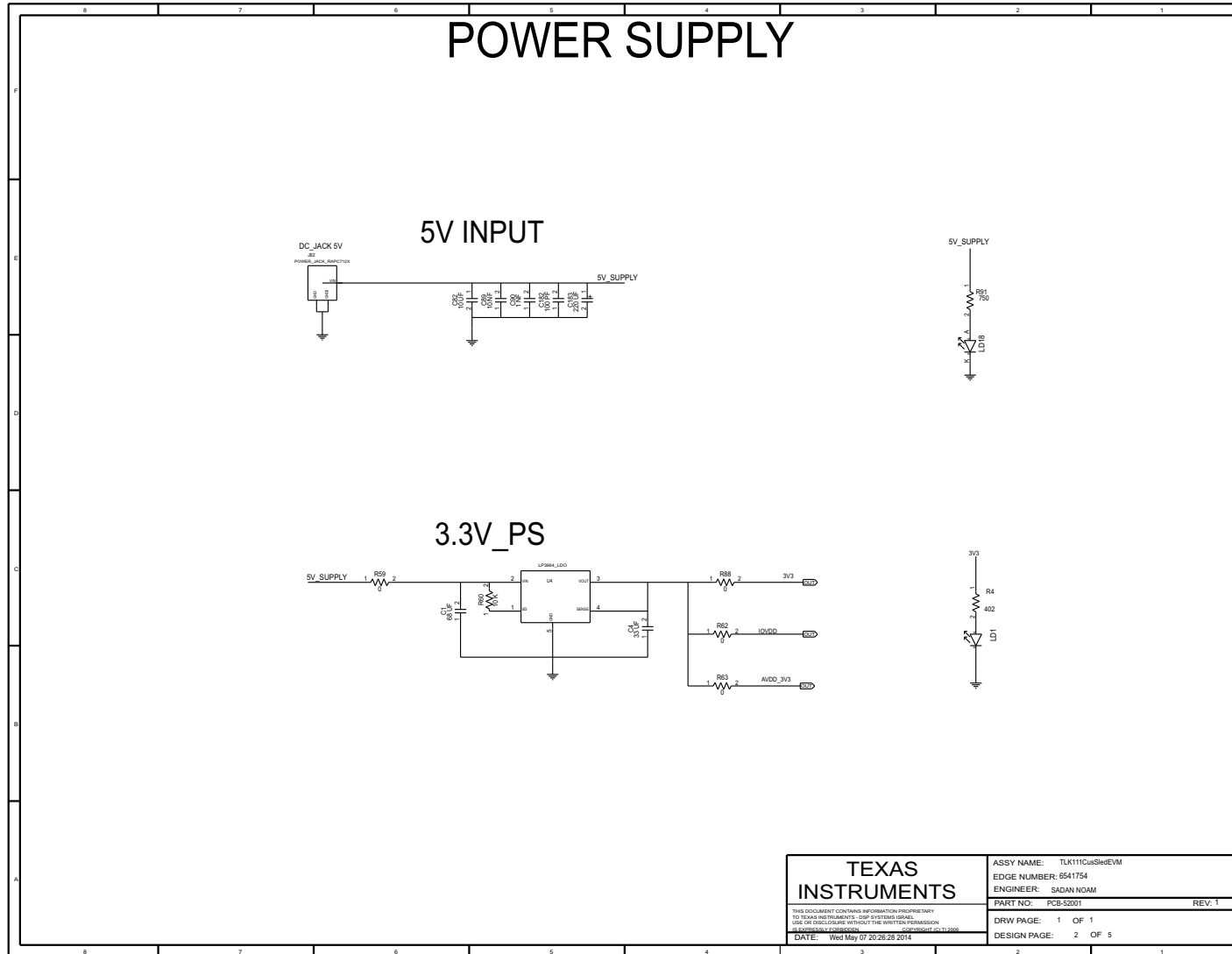


Figure 11. Schematic (2 of 5)

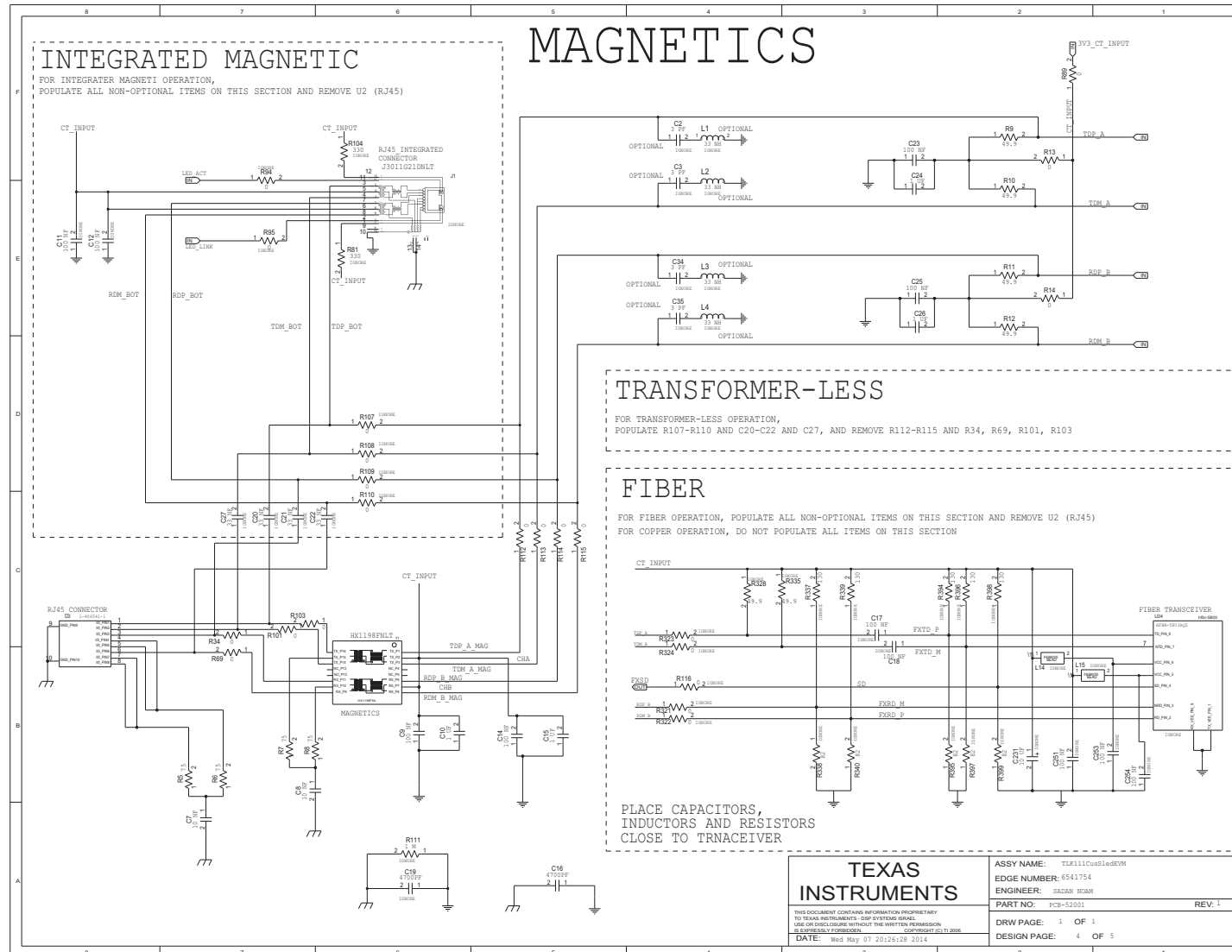


Figure 13. Schematic (4 of 5)

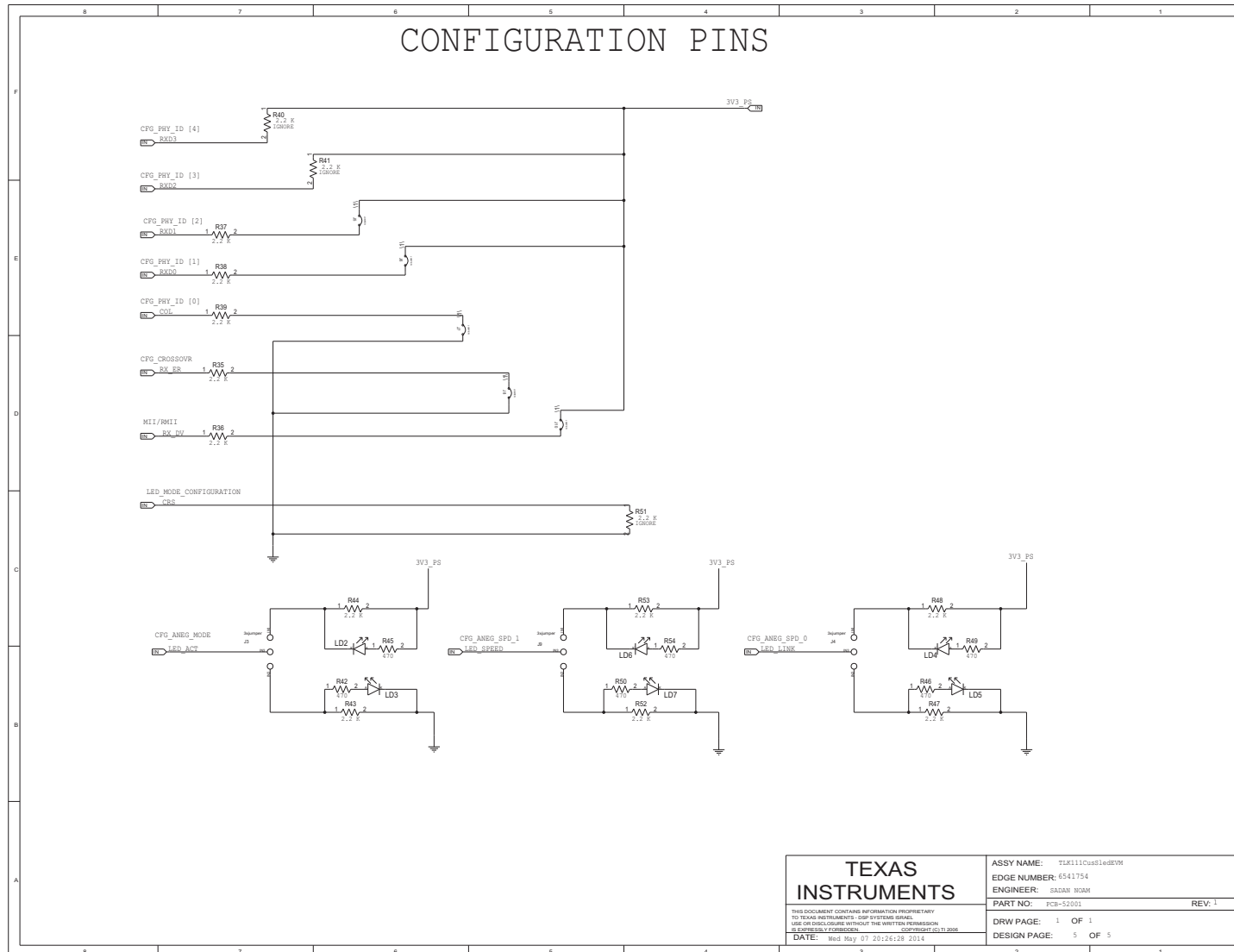


Figure 14. Schematic (5 of 5)

12 Layout

Figure 15 through Figure 20 illustrate the PCB layout drawings for the TLK111EVM.

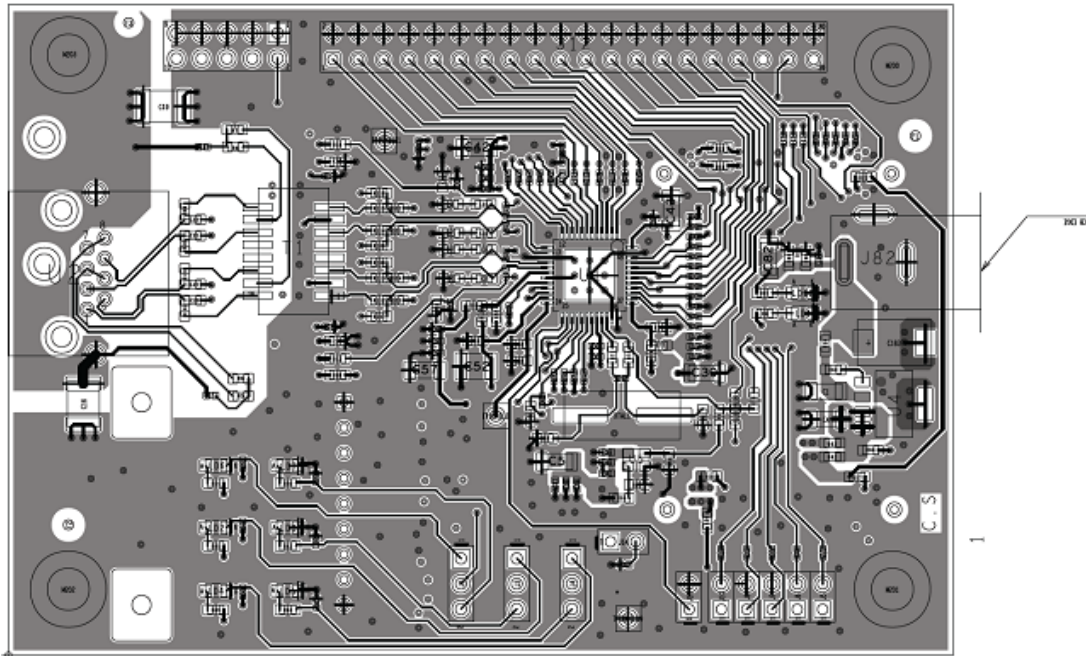


Figure 15. Layer 1 – Signal

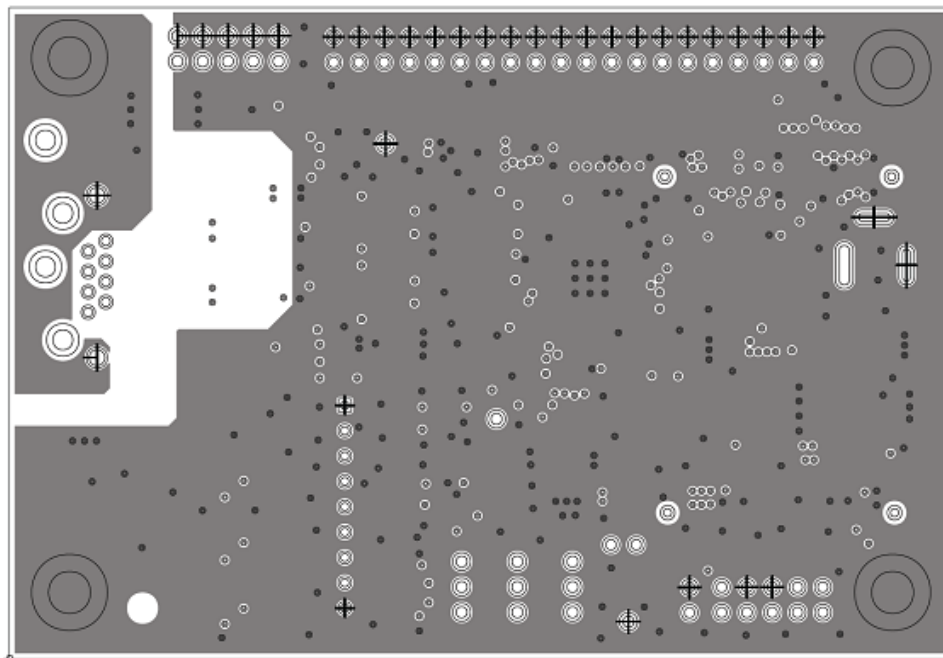


Figure 16. Layer 2 – GND

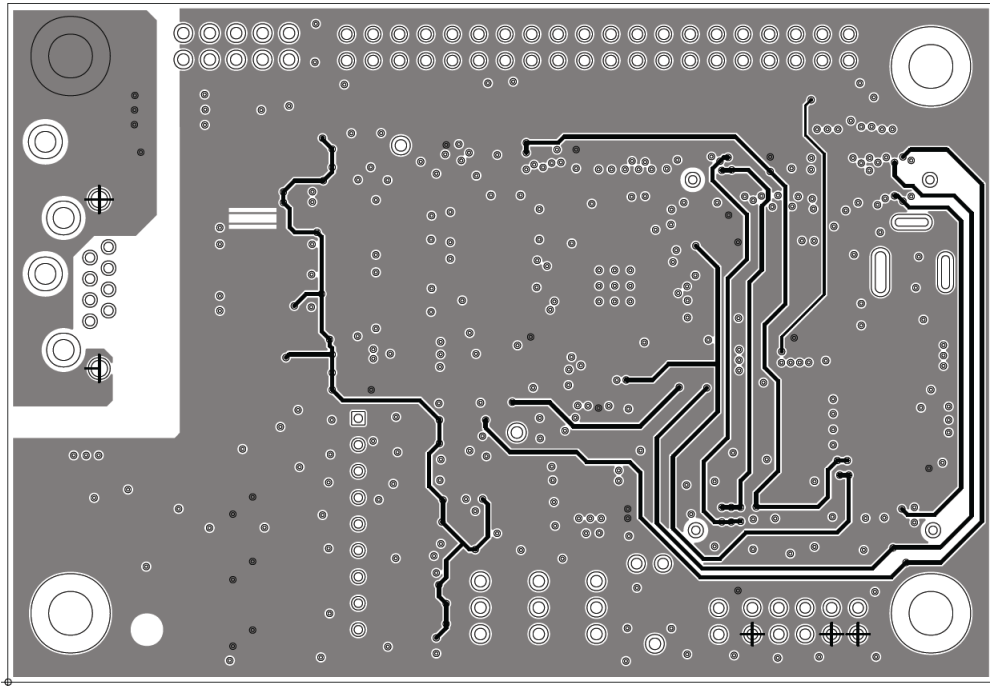


Figure 17. Layer 3 – Power

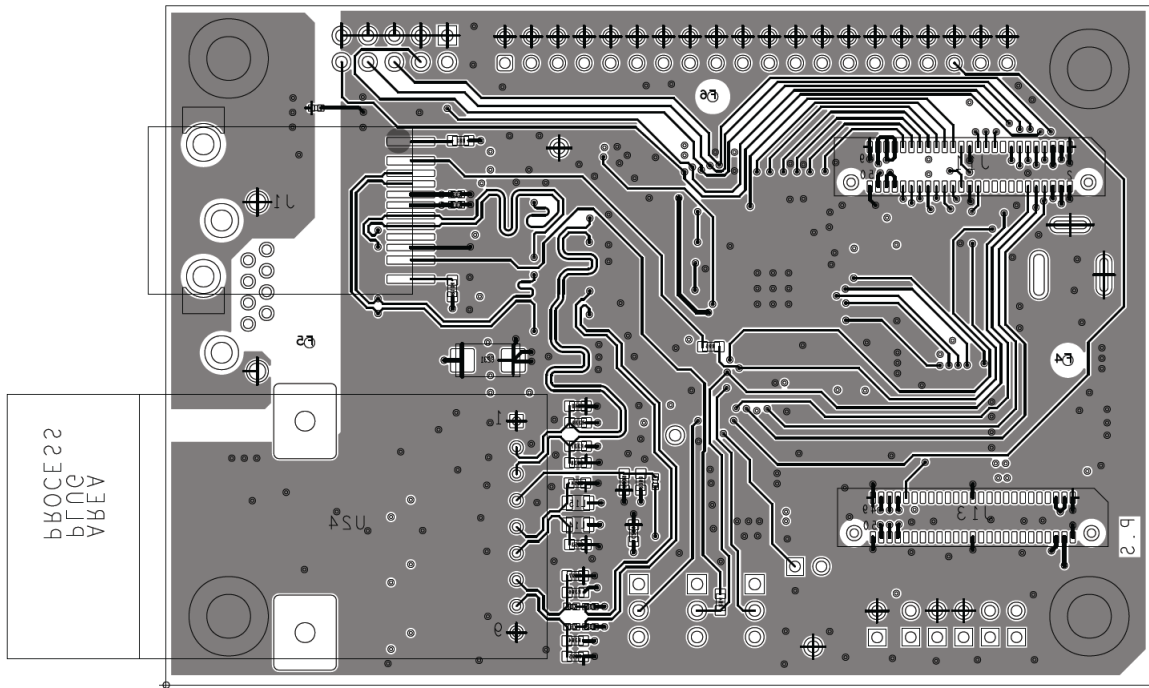


Figure 18. Layer 4 – Signal

13 Board Assembly

Figure 19 and Figure 20 show the board assembly for the TLK111EVM.

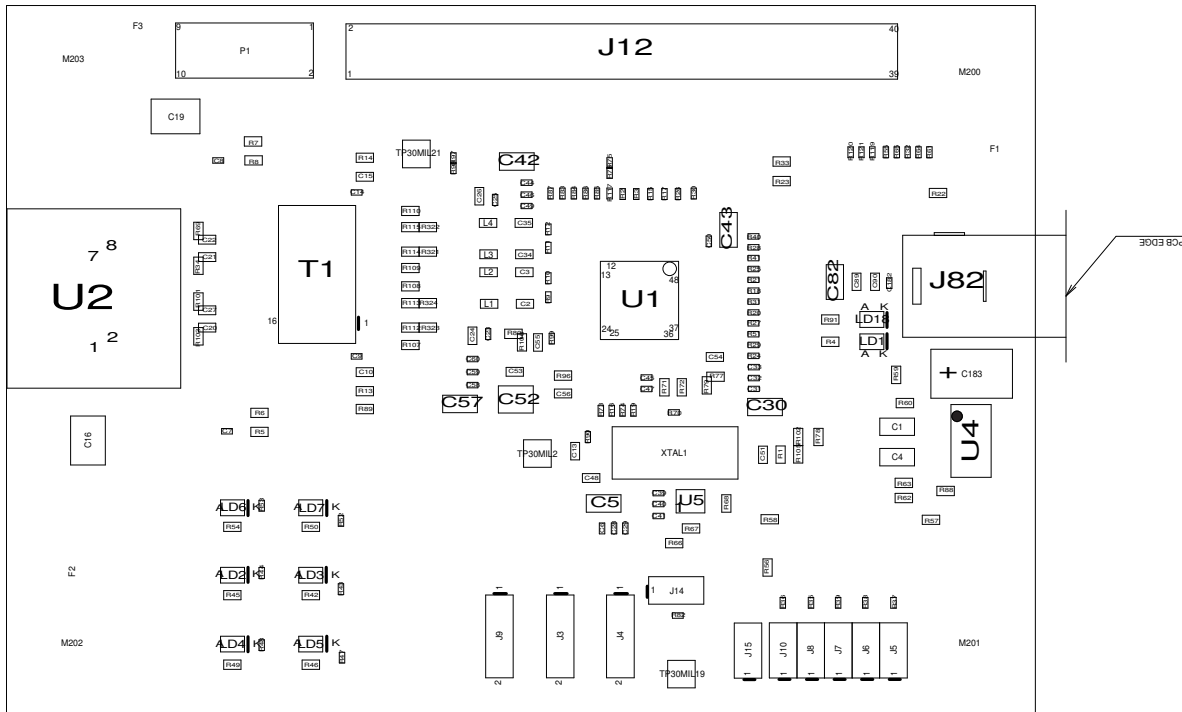


Figure 19. Layer 1 – Components Side Assembly

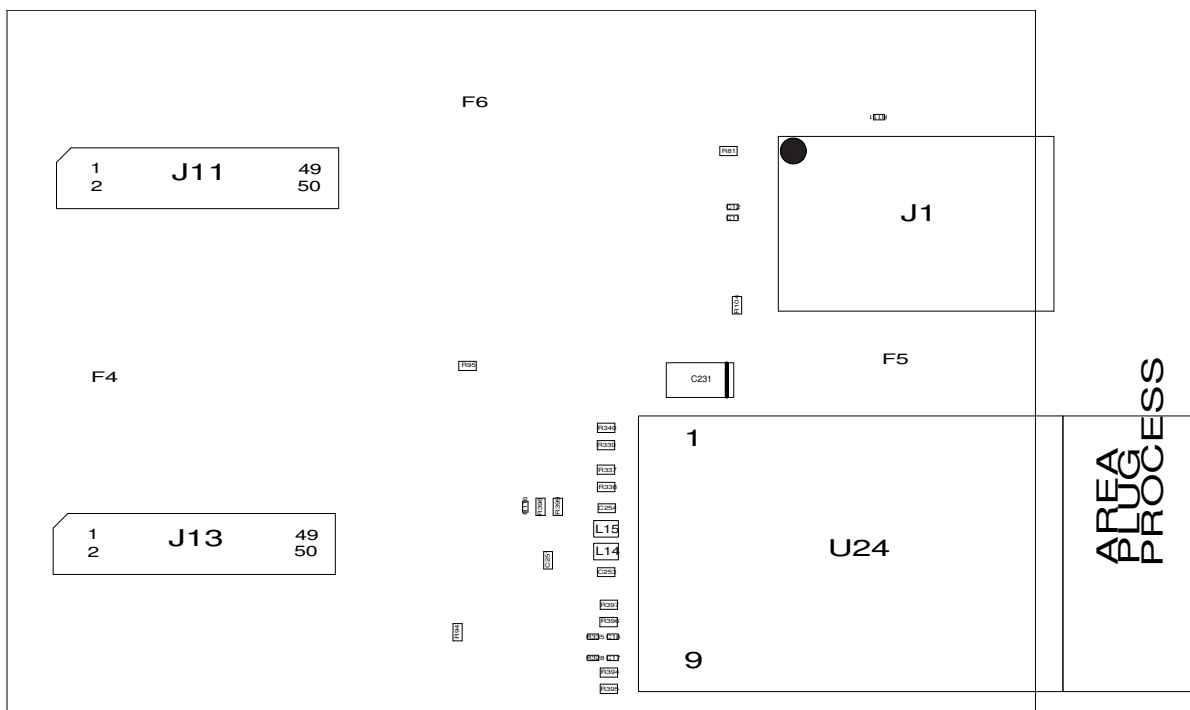


Figure 20. Layer 4 – Print Side Assembly

14 Board Marking (Silk)

Figure 21 and Figure 22 show the board markings for the TLK111EVM.

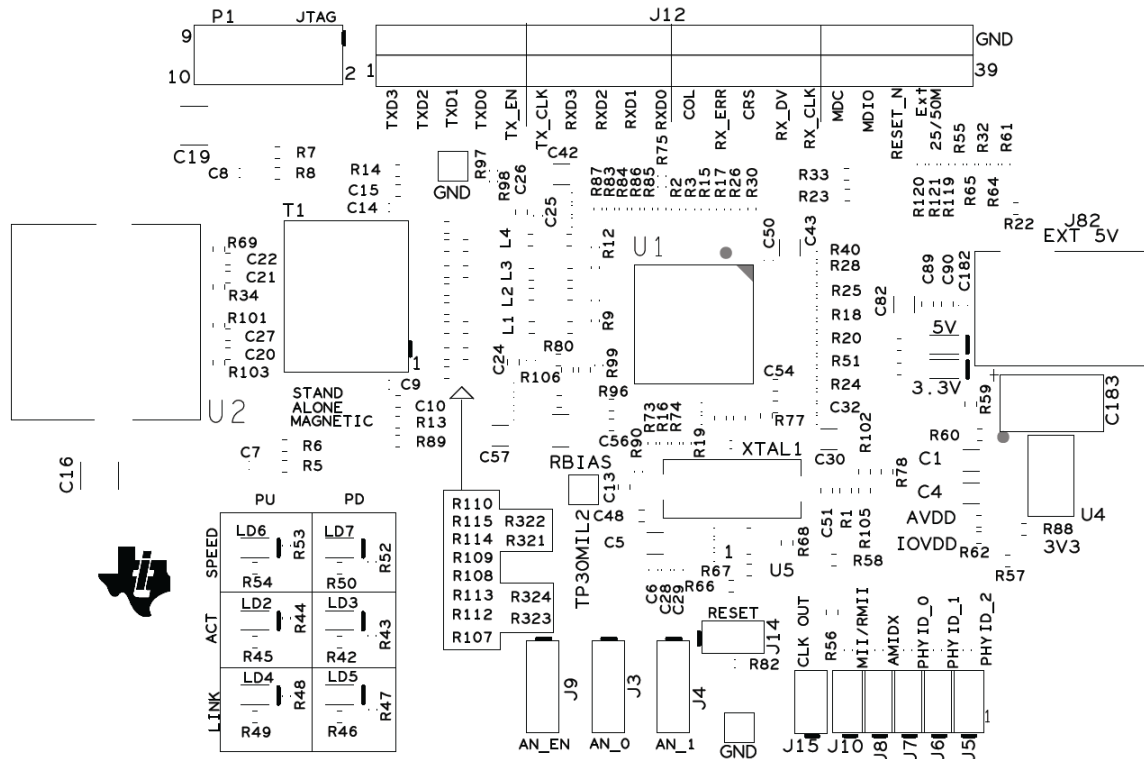


Figure 21. Layer 1 – Components Side Silk

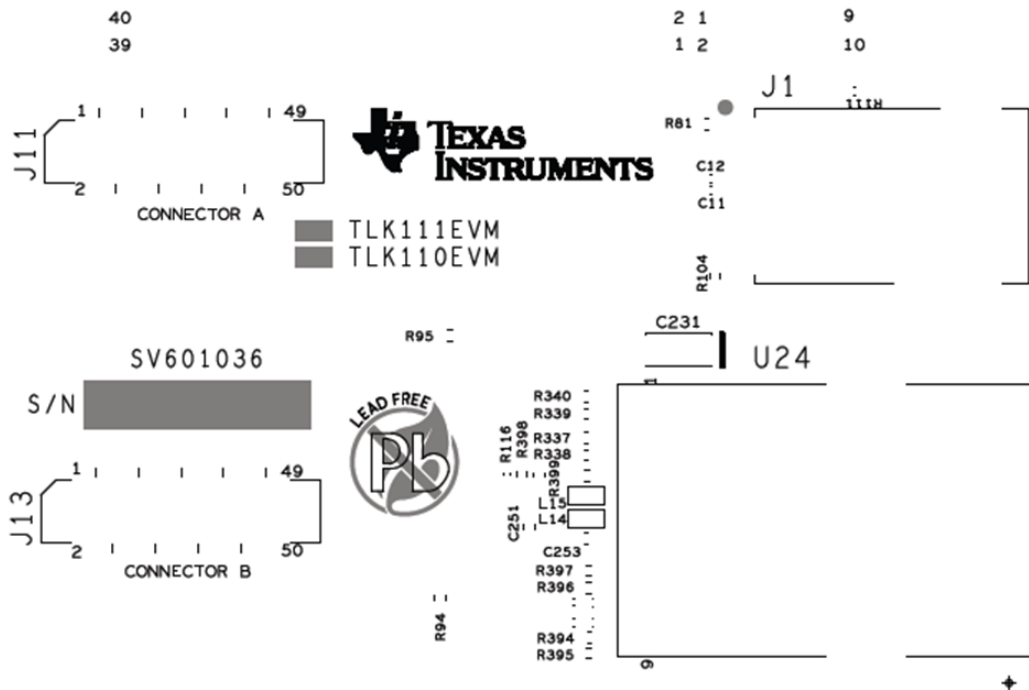


Figure 22. Layer 4 – Print Side Silk

15 Bill of Materials (BOM)
Table 2. Bill of Materials

S.#	Ref Des	Qty	JEDEC_TYPE	VENDOR	Vendor Part #	Value	BOM_Ignore	Description	Digi-key Number
1	PCB	1			SV601036-001			TLK111CusSeldEVM	
2	U5	1	SMT2X2_5	EPSON	SG-211SCE (d) 25 MHz-X1G0036210159xx	?	IGNORE	3.3V CMOS SMD OSCILLATOR WITH STANDBY, 25MHz, 20ppm -40+85	
3	J3, J4, J9	3	JUMPERX3	Samtec	TSW-103-07-G-S	?		CONN HEADER 3POS 0.100" T/H GOLD	SAM1029-03-ND
4	C52	1	C1210	Samsung	CL32A106KPINNNE	10 UF		CAP CER 10UF 10V 10% X5R 1210	1276-3311-2-ND
5	C2, C3, C13, C34, C35	5	C0603	Samsung	CL10C030BB8NNNC	3 PF	IGNORE	CAP CER 3PF 50V NPO 0603	1276-2125-2-ND
6	C20-C22, C27	4	C0603	KEMET	C0603C33J3RACTU	33 NF	IGNORE	CAP CER 33NF 25V 5% X7R 0603	399-9068-2-ND
7	C4	1	C1206	Nichicon	F930G336KAA	33 UF		CAP TANT 33µF 4V 10% 1206	489-8141-2-ND
8	C56, C251, C253, C254	4	C0603	SAMSUNG	CL10B104K08NNNC	100 NF	IGNORE	CAP CER 100NF 16V 10% X7R 0603	1276-1005-2-ND
9	C53-C55	3	C0603	SAMSUNG	CL10B104K08NNNC	100 NF		CAP CER 100NF 16V 10% X7R 0603	1276-1005-2-ND
10	C5, C30, C42, C43, C57, C82	6	C1206	TDK	C3216X7R1V106M160AC	10 UF		CAP CER 10µF 35V 20% X7R 1206	4458034-2-ND
11	C90	1	C0603	SAMSUNG	CL10C102JB8NNNC	1 NF		CAP CER 1NF 50V 5% NPO 0603	1276-1091-2-ND
12	C89	1	C0603	SAMSUNG	CL10B103KB8NCNC	10 NF		CAP CER 10NF 50V 10% X7R 0603	1276-1921-2-ND
13	C1	1	C1206	Nichicon	F930J686KAA	68 UF		CAP TANT 68µF 6.3V 10% 1206	493-6546-2-ND
14	C16	1	C1812	AVX	1812GC472KAT1A	4700PF		CAP CER 4700PF 2KV 10% X7R 1812	478-3003-2-ND
15	C19	1	C1812	AVX	1812GC472KAT1A	4700PF	IGNORE	CAP CER 4700PF 2KV 10% X7R 1812	478-3003-2-ND
16	C48,C51	2	C0603	SAMSUNG	CL10C330FB8NNNC	33 PF		CAP CER 33PF 50V 1% NPO 0603	1276-2262-2-ND
17	C29, C33, C41, C49, C50, C60, C182	7	C0402	Yageo	CC0402JRNPO9BN101	100 PF		CAP CER 100PF 50V 5% NPO 0402	311-1024-2-ND
18	C10, C15, C24, C26	4	C0603	Samsung	CL10B105KQ8NNNC	1 UF		CAP CER 1µF 6V3 10% X7R 0603	1276-1024-2-ND
19	C11, C12, C17, C18	4	C0402	SAMSUNG	CL05B104KP5NNNC	100 NF	IGNORE	CAP CER 0.1µF 10V 0.1% X7R 0402	1276-1002-2-ND
20	C9, C14, C23, C25	4	C0402	SAMSUNG	CL05B104KP5NNNC	100 NF		CAP CER 0.1µF 10V 0.1% X7R 0402	1276-1002-2-ND
21	C28, C32, C40, C46, C47, C59	6	C0402	Kemet	C0402C102J3RACTU	1 NF		CAP CER 1NF 25V 5% X7R 0402	399-7752-2-ND
22	C6-C8, C31, C39, C44, C45, C58	8	C0402	Kemet	C0402C103J5RACTU	10 NF		CAP CER 10NF 50V 5% X7R 0402	399-7758-2-ND
23	J1	1	CON_RJ45_J3011	Pulse	J3011G21DNL	?	IGNORE	RJ45 CAT5 8 POS RA Female with integrated magnetic	553-1763-2-ND
24	L14, L15	2	L0805	Samsung	CIM21J121NE	120 OHM	IGNORE	FERRITE CHIP 120Ω 800MA 0805	1276-6333-2-ND
25	XTAL1	1	HC49SM_I	CTS	ATS250BSM-1E	?		CRYSTAL 25.0MHz 18PF SMD	CTX1213CT-ND
26	P1	1	HDR_2X5	SAMTEC	MTLW-105-23-GD-260	?	IGNORE	HEADER 2x5 MALE 2.6MM	
27	J12	1	CON_SAMTEC_XXC020DFDN-RC	SAMTEC	TSW-120-07-G-D	?		HEADER 2x20 MALE 2.54MM 0.100	SAM1028-20-ND
28	U24	1	CON_AGILENT_HFBR-5803-SC	Avago	HFBR-5803AQZ	?	IGNORE	Fast Ethernet Optical Transceiver	516-2346-ND
29	T1	1	SM16	PULSE	HX1198FNLT	?		10/100 BASE-T MAGNETICS	553-2209-2-ND
30	L1-L4	4	L0603	Bourns Inc.	CH160808-33NJ	33 NH	IGNORE	INDUCTOR MULTI LAYER CHIP 33NH	CH160808-33NJTR-ND
31	J5-J8, J10, J14	6	JMP02	SAMTEC	TSW-102-07-G-S	?		CONN HEADER 2POS 0.100" SGL GOLD	SAM1029-02-ND
32	J15	1	JMP02	SAMTEC	TSW-102-07-G-S	?	IGNORE	CONN HEADER 2POS 0.100" SGL GOLD	SAM1029-02-ND
33	LD1-LD7, LD18	8	LED0805	Everlight	QTLP630C4TR	?		LED GREEN WATER CLR 08050 SMD T/R	1080-1411-2-ND

Table 2. Bill of Materials (continued)

S.#	Ref Des	Qty	JEDEC_TYPE	VENDOR	Vendor Part #	Value	BOM_Ignore	Description	Digi-key Number
34	U4	1	SOT-223-5	TI	LP3964EMP-3.3/NOPBTR-ND	?		IC REG LDO 3.3 0.8A SOT223-5	LP3964EMP-3.3/NOPBTR-ND
35	C231	1	C6032	VISHAY SPRAGUE	293D106X9025C2TE3	10 UF	IGNORE	CAP TANT 10µF 25V 10% 2312	718-1050-2-ND
36	C183	1	7343	Kemet	T491D227K006AT	220 UF		CAP TANT 220µF 6V3 10% 2917	399-8378-2-ND
37	J82	1	CON3	SWITCHCRAFT	RAPC712X	?		CONN POWERJACK MINI R/A PCMT	SC237-ND
38	R60	1	R0603	Samsung Electro-Mechanics America, Inc	RC1608J103CS	10 K		RES 10kΩ 1/10W 5% 0603	1276-5086-2-ND
39	R83-R87, R116, R117	7	R0402	YAGEO	RC0402JR-070R	0	IGNORE	RES 0.0 Ω 1/16W JUMP 0402 SMD	311-0.0JRTR-ND
40	R32, R55, R61, R64, R65, R73, R90, R119-R121	10	R0402	YAGEO	RC0402JR-070R	0		RES 0.0 Ω 1/16W JUMP 0402 SMD	311-0.0JRTR-ND
41	R1, R22, R23, R33, R56-R58, R67, R77, R78, R80, R94, R95, R102, R105, R107-R110, R321-R324	23	R0603	Yageo	RC0603JR-070RL	0	IGNORE	RES 0.0 Ω 1/10W JUMP 0603 SMD	311-0.0GRTR-ND
42	R13, R14, R34, R59, R62, R63, R66, R69, R71, R72, R79, R88, R89, R101, R103, R106, R112-R115	20	R0603	Yageo	RC0603JR-070RL	0		RES 0.0 Ω 1/10W JUMP 0603 SMD	311-0.0GRTR-ND
43	R2, R3, R15-R21, R24-R31	17	R0402	YAGEO	RC0402FR-0733RL	33		RES 33.0 Ω 1/16W 1% 0402 SMD	311-33.0LRTR-ND
44	R5-R8	4	R0603	YAGEO	RC0603FR-0775RL	75		RES 75.0 Ω 1/10W 1% 0603 SMD	311-75.0HRTR-ND
45	R338, R340, R395, R397, R399	5	R0603	YAGEO	RC0603FR-0782RL	82	IGNORE	RES 82.0 Ω 1/10W 1% 0603 SMD	311-82.0HRTR-ND
46	R337, R339, R394, R396, R398	5	R0603	YAGEO	RC0603FR-07130RL	130	IGNORE	RES 130 Ω 1/10W 1% 0603 SMD	311-7130HRTR-ND
47	R4	1	R0603	YAGEO	RC0603FR-07402RL	402		RES 402 Ω 1/10W 1% 0603 SMD	311-402HRTR-ND
48	R42, R45, R46, R49, R50, R54	6	R0603	YAGEO	RC0603FR-07470RL	470		RES 470 Ω 1/10W 1% 0603 SMD	311-470HRTR-ND
49	R91	1	R0603	YAGEO	RC0603FR-07750RL	750		RES 750 Ω 1/10W 1% 0603 SMD	311-750HRTR-ND
50	R9-R12	4	R0402	YAGEO	RC0402FR-0749R9L	49.9		RES 49.9 Ω 1/16W 1% 0402 SMD	311-49.9LRTR-ND
51	R328, R335	2	R0402	YAGEO	RC0402FR-0749R9L	49.9	IGNORE	RES 49.9 Ω 1/16W 1% 0402 SMD	311-49.9LRTR-ND
52	R81, R104	2	R0603	Samsung Electro-Mechanics America, Inc.	RC1608J331CS	330	IGNORE	RES 330 Ω 1/10W 5% 0603	1276-5050-2-ND
53	R35-R39, R43, R44, R47, R48, R52, R53, R74, R75, R82, R97, R99	16	R0402	YAGEO	RC0402FR-072K2L	2.2 K		RES 2.20kΩ 1/16W 1% 0402 SMD	311-2.20KLTR-ND
54	R40, R41, R51, R76, R98	5	R0402	YAGEO	RC0402FR-072K2L	2.2 K	IGNORE	RES 2.20kΩ 1/16W 1% 0402 SMD	311-2.20KLTR-ND
55	R96	1	R0603	Yageo	RC0603FR-074K87L	4.87 K		RES 4.87kΩ 1/10W 1% 0603 SMD	311-4.87KHRTR-ND
56	R68	1	R0603	BOURNS	CR0603-JW-472GLF	4.7 K		RES 4.7kΩ 1/10W 5% 0603 SMD	CR0603-JW-472GLFTR-ND
57	R111	1	R0402	YAGEO	RC0402FR-071ML	1 M	IGNORE	RES 1.00MΩ 1/16W 1% 0402 SMD	311-1.0MLRTR-ND
58	R70	1	R0402	YAGEO	RC0402FR-071ML	1 M		RES 1.00MΩ 1/16W 1% 0402 SMD	311-1.0MLRTR-ND
59	U2	1	CON_RJ45_TE_1-406541-1	TE Connectivity	1-406541-1	?		CONN MOD JACK R/A 8P8C SHIELDED	A97716-ND

Table 2. Bill of Materials (continued)

S.#	Ref Des	Qty	JEDEC_TYPE	VENDOR	Vendor Part #	Value	BOM_Ignore	Description	Digi-key Number
60	J11, J13	2	CON_SAMTEC_ERM8-05-S-DV-TR	Samtec	ERM8-025-05.0-S-DV-TR	?		Connector, 2x50 way Plug 0.8mm board to board socket strip, Male	
61	U1	1	QFP50P900X900X120-49	TI	TLK111PTR	?		IC ETHERNET PHY 10/100 48LQFP	TLK111PTR-ND
62	TP30MIL19, TP30MIL21	2	TH	SAMTEC	HMTSW-101-07-TM-S-240	?		TESTPOINT_TH_0.9mm	HMTSW-101-07-TM-S-240-ND
63	TP30MIL2	1	TH	SAMTEC	HMTSW-101-07-TM-S-240	?	IGNORE	_pad_1.7MM	HMTSW-101-07-TM-S-240-ND
TOTAL		240							

ADDITIONAL TERMS AND CONDITIONS, WARNINGS, RESTRICTIONS, AND DISCLAIMERS FOR EVALUATION MODULES

Texas Instruments Incorporated (TI) markets, sells, and loans all evaluation boards, kits, and/or modules (EVMs) pursuant to, and user expressly acknowledges, represents, and agrees, and takes sole responsibility and risk with respect to, the following:

1. User agrees and acknowledges that EVMs are intended to be handled and used for feasibility evaluation only in laboratory and/or development environments. Notwithstanding the foregoing, in certain instances, TI makes certain EVMs available to users that do not handle and use EVMs solely for feasibility evaluation only in laboratory and/or development environments, but may use EVMs in a hobbyist environment. All EVMs made available to hobbyist users are FCC certified, as applicable. Hobbyist users acknowledge, agree, and shall comply with all applicable terms, conditions, warnings, and restrictions in this document and are subject to the disclaimer and indemnity provisions included in this document.
2. Unless otherwise indicated, EVMs are not finished products and not intended for consumer use. EVMs are intended solely for use by technically qualified electronics experts who are familiar with the dangers and application risks associated with handling electrical mechanical components, systems, and subsystems.
3. User agrees that EVMs shall not be used as, or incorporated into, all or any part of a finished product.
4. User agrees and acknowledges that certain EVMs may not be designed or manufactured by TI.
5. User must read the user's guide and all other documentation accompanying EVMs, including without limitation any warning or restriction notices, prior to handling and/or using EVMs. Such notices contain important safety information related to, for example, temperatures and voltages. For additional information on TI's environmental and/or safety programs, please visit www.ti.com/esh or contact TI.
6. User assumes all responsibility, obligation, and any corresponding liability for proper and safe handling and use of EVMs.
7. Should any EVM not meet the specifications indicated in the user's guide or other documentation accompanying such EVM, the EVM may be returned to TI within 30 days from the date of delivery for a full refund. THE FOREGOING LIMITED WARRANTY IS THE EXCLUSIVE WARRANTY MADE BY TI TO USER AND IS IN LIEU OF ALL OTHER WARRANTIES, EXPRESSED, IMPLIED, OR STATUTORY, INCLUDING ANY WARRANTY OF MERCHANTABILITY OR FITNESS FOR ANY PARTICULAR PURPOSE. TI SHALL NOT BE LIABLE TO USER FOR ANY INDIRECT, SPECIAL, INCIDENTAL, OR CONSEQUENTIAL DAMAGES RELATED TO THE HANDLING OR USE OF ANY EVM.
8. No license is granted under any patent right or other intellectual property right of TI covering or relating to any machine, process, or combination in which EVMs might be or are used. TI currently deals with a variety of customers, and therefore TI's arrangement with the user is not exclusive. TI assumes no liability for applications assistance, customer product design, software performance, or infringement of patents or services with respect to the handling or use of EVMs.
9. User assumes sole responsibility to determine whether EVMs may be subject to any applicable federal, state, or local laws and regulatory requirements (including but not limited to U.S. Food and Drug Administration regulations, if applicable) related to its handling and use of EVMs and, if applicable, compliance in all respects with such laws and regulations.
10. User has sole responsibility to ensure the safety of any activities to be conducted by it and its employees, affiliates, contractors or designees, with respect to handling and using EVMs. Further, user is responsible to ensure that any interfaces (electronic and/or mechanical) between EVMs and any human body are designed with suitable isolation and means to safely limit accessible leakage currents to minimize the risk of electrical shock hazard.
11. User shall employ reasonable safeguards to ensure that user's use of EVMs will not result in any property damage, injury or death, even if EVMs should fail to perform as described or expected.
12. User shall be solely responsible for proper disposal and recycling of EVMs consistent with all applicable federal, state, and local requirements.

Certain Instructions. User shall operate EVMs within TI's recommended specifications and environmental considerations per the user's guide, accompanying documentation, and any other applicable requirements. Exceeding the specified ratings (including but not limited to input and output voltage, current, power, and environmental ranges) for EVMs may cause property damage, personal injury or death. If there are questions concerning these ratings, user should contact a TI field representative prior to connecting interface electronics including input power and intended loads. Any loads applied outside of the specified output range may result in unintended and/or inaccurate operation and/or possible permanent damage to the EVM and/or interface electronics. Please consult the applicable EVM user's guide prior to connecting any load to the EVM output. If there is uncertainty as to the load specification, please contact a TI field representative. During normal operation, some circuit components may have case temperatures greater than 60°C as long as the input and output are maintained at a normal ambient operating temperature. These components include but are not limited to linear regulators, switching transistors, pass transistors, and current sense resistors which can be identified using EVMs' schematics located in the applicable EVM user's guide. When placing measurement probes near EVMs during normal operation, please be aware that EVMs may become very warm. As with all electronic evaluation tools, only qualified personnel knowledgeable in electronic measurement and diagnostics normally found in development environments should use EVMs.

Agreement to Defend, Indemnify and Hold Harmless. User agrees to defend, indemnify, and hold TI, its directors, officers, employees, agents, representatives, affiliates, licensors and their representatives harmless from and against any and all claims, damages, losses, expenses, costs and liabilities (collectively, "Claims") arising out of, or in connection with, any handling and/or use of EVMs. User's indemnity shall apply whether Claims arise under law of tort or contract or any other legal theory, and even if EVMs fail to perform as described or expected.

Safety-Critical or Life-Critical Applications. If user intends to use EVMs in evaluations of safety critical applications (such as life support), and a failure of a TI product considered for purchase by user for use in user's product would reasonably be expected to cause severe personal injury or death such as devices which are classified as FDA Class III or similar classification, then user must specifically notify TI of such intent and enter into a separate Assurance and Indemnity Agreement.

RADIO FREQUENCY REGULATORY COMPLIANCE INFORMATION FOR EVALUATION MODULES

Texas Instruments Incorporated (TI) evaluation boards, kits, and/or modules (EVMs) and/or accompanying hardware that is marketed, sold, or loaned to users may or may not be subject to radio frequency regulations in specific countries.

General Statement for EVMs Not Including a Radio

For EVMs not including a radio and not subject to the U.S. Federal Communications Commission (FCC) or Industry Canada (IC) regulations, TI intends EVMs to be used only for engineering development, demonstration, or evaluation purposes. EVMs are not finished products typically fit for general consumer use. EVMs may nonetheless generate, use, or radiate radio frequency energy, but have not been tested for compliance with the limits of computing devices pursuant to part 15 of FCC or the ICES-003 rules. Operation of such EVMs may cause interference with radio communications, in which case the user at his own expense will be required to take whatever measures may be required to correct this interference.

General Statement for EVMs including a radio

User Power/Frequency Use Obligations: For EVMs including a radio, the radio included in such EVMs is intended for development and/or professional use only in legally allocated frequency and power limits. Any use of radio frequencies and/or power availability in such EVMs and their development application(s) must comply with local laws governing radio spectrum allocation and power limits for such EVMs. It is the user's sole responsibility to only operate this radio in legally acceptable frequency space and within legally mandated power limitations. Any exceptions to this are strictly prohibited and unauthorized by TI unless user has obtained appropriate experimental and/or development licenses from local regulatory authorities, which is the sole responsibility of the user, including its acceptable authorization.

U.S. Federal Communications Commission Compliance

For EVMs Annotated as FCC – FEDERAL COMMUNICATIONS COMMISSION Part 15 Compliant

Caution

This device complies with part 15 of the FCC Rules. Operation is subject to the following two conditions: (1) This device may not cause harmful interference, and (2) this device must accept any interference received, including interference that may cause undesired operation. Changes or modifications could void the user's authority to operate the equipment.

FCC Interference Statement for Class A EVM devices

This equipment has been tested and found to comply with the limits for a Class A digital device, pursuant to part 15 of the FCC Rules. These limits are designed to provide reasonable protection against harmful interference when the equipment is operated in a commercial environment. This equipment generates, uses, and can radiate radio frequency energy and, if not installed and used in accordance with the instruction manual, may cause harmful interference to radio communications. Operation of this equipment in a residential area is likely to cause harmful interference in which case the user will be required to correct the interference at its own expense.

FCC Interference Statement for Class B EVM devices

This equipment has been tested and found to comply with the limits for a Class B digital device, pursuant to part 15 of the FCC Rules. These limits are designed to provide reasonable protection against harmful interference in a residential installation. This equipment generates, uses and can radiate radio frequency energy and, if not installed and used in accordance with the instructions, may cause harmful interference to radio communications. However, there is no guarantee that interference will not occur in a particular installation. If this equipment does cause harmful interference to radio or television reception, which can be determined by turning the equipment off and on, the user is encouraged to try to correct the interference by one or more of the following measures:

- Reorient or relocate the receiving antenna.
- Increase the separation between the equipment and receiver.
- Connect the equipment into an outlet on a circuit different from that to which the receiver is connected.
- Consult the dealer or an experienced radio/TV technician for help.

Industry Canada Compliance (English)

For EVMs Annotated as IC – INDUSTRY CANADA Compliant:

This Class A or B digital apparatus complies with Canadian ICES-003.

Changes or modifications not expressly approved by the party responsible for compliance could void the user's authority to operate the equipment.

Concerning EVMs Including Radio Transmitters

This device complies with Industry Canada licence-exempt RSS standard(s). Operation is subject to the following two conditions: (1) this device may not cause interference, and (2) this device must accept any interference, including interference that may cause undesired operation of the device.

Concerning EVMs Including Detachable Antennas

Under Industry Canada regulations, this radio transmitter may only operate using an antenna of a type and maximum (or lesser) gain approved for the transmitter by Industry Canada. To reduce potential radio interference to other users, the antenna type and its gain should be so chosen that the equivalent isotropically radiated power (e.i.r.p.) is not more than that necessary for successful communication.

This radio transmitter has been approved by Industry Canada to operate with the antenna types listed in the user guide with the maximum permissible gain and required antenna impedance for each antenna type indicated. Antenna types not included in this list, having a gain greater than the maximum gain indicated for that type, are strictly prohibited for use with this device.

Canada Industry Canada Compliance (French)

Cet appareil numérique de la classe A ou B est conforme à la norme NMB-003 du Canada

Les changements ou les modifications pas expressément approuvés par la partie responsable de la conformité ont pu vider l'autorité de l'utilisateur pour actionner l'équipement.

Concernant les EVMs avec appareils radio

Le présent appareil est conforme aux CNR d'Industrie Canada applicables aux appareils radio exempts de licence. L'exploitation est autorisée aux deux conditions suivantes : (1) l'appareil ne doit pas produire de brouillage, et (2) l'utilisateur de l'appareil doit accepter tout brouillage radioélectrique subi, même si le brouillage est susceptible d'en compromettre le fonctionnement.

Concernant les EVMs avec antennes détachables

Conformément à la réglementation d'Industrie Canada, le présent émetteur radio peut fonctionner avec une antenne d'un type et d'un gain maximal (ou inférieur) approuvé pour l'émetteur par Industrie Canada. Dans le but de réduire les risques de brouillage radioélectrique à l'intention des autres utilisateurs, il faut choisir le type d'antenne et son gain de sorte que la puissance isotrope rayonnée équivalente (p.i.r.e.) ne dépasse pas l'intensité nécessaire à l'établissement d'une communication satisfaisante.

Le présent émetteur radio a été approuvé par Industrie Canada pour fonctionner avec les types d'antenne énumérés dans le manuel d'usage et ayant un gain admissible maximal et l'impédance requise pour chaque type d'antenne. Les types d'antenne non inclus dans cette liste, ou dont le gain est supérieur au gain maximal indiqué, sont strictement interdits pour l'exploitation de l'émetteur.

Mailing Address: Texas Instruments, Post Office Box 655303, Dallas, Texas 75265
Copyright © 2014, Texas Instruments Incorporated

Important Notice for Users of EVMs Considered “Radio Frequency Products” in Japan

EVMs entering Japan are NOT certified by TI as conforming to Technical Regulations of Radio Law of Japan.

If user uses EVMs in Japan, user is required by Radio Law of Japan to follow the instructions below with respect to EVMs:

1. Use EVMs in a shielded room or any other test facility as defined in the notification #173 issued by Ministry of Internal Affairs and Communications on March 28, 2006, based on Sub-section 1.1 of Article 6 of the Ministry's Rule for Enforcement of Radio Law of Japan,
2. Use EVMs only after user obtains the license of Test Radio Station as provided in Radio Law of Japan with respect to EVMs, or
3. Use of EVMs only after user obtains the Technical Regulations Conformity Certification as provided in Radio Law of Japan with respect to EVMs. Also, do not transfer EVMs, unless user gives the same notice above to the transferee. Please note that if user does not follow the instructions above, user will be subject to penalties of Radio Law of Japan.

<http://www.tij.co.jp>

【無線電波を送信する製品の開発キットをお使いになる際の注意事項】 本開発キットは技術基準適合証明を受けておりません。本製品のご使用に際しては、電波法遵守のため、以下のいずれかの措置を取っていただく必要がありますのでご注意ください。

1. 電波法施行規則第6条第1項第1号に基づく平成18年3月28日総務省告示第173号で定められた電波暗室等の試験設備でご使用いただく。
2. 実験局の免許を取得後ご使用いただく。
3. 技術基準適合証明を取得後ご使用いただく。。

なお、本製品は、上記の「ご使用にあたっての注意」を譲渡先、移転先に通知しない限り、譲渡、移転できないものとします

上記を遵守頂けない場合は、電波法の罰則が適用される可能性があることをご留意ください。

日本テキサス・インスツルメンツ株式会社

東京都新宿区西新宿6丁目24番1号

西新宿三井ビル

<http://www.tij.co.jp>

Texas Instruments Japan Limited

(address) 24-1, Nishi-Shinjuku 6 chome, Shinjuku-ku, Tokyo, Japan

IMPORTANT NOTICE

Texas Instruments Incorporated and its subsidiaries (TI) reserve the right to make corrections, enhancements, improvements and other changes to its semiconductor products and services per JESD46, latest issue, and to discontinue any product or service per JESD48, latest issue. Buyers should obtain the latest relevant information before placing orders and should verify that such information is current and complete. All semiconductor products (also referred to herein as "components") are sold subject to TI's terms and conditions of sale supplied at the time of order acknowledgment.

TI warrants performance of its components to the specifications applicable at the time of sale, in accordance with the warranty in TI's terms and conditions of sale of semiconductor products. Testing and other quality control techniques are used to the extent TI deems necessary to support this warranty. Except where mandated by applicable law, testing of all parameters of each component is not necessarily performed.

TI assumes no liability for applications assistance or the design of Buyers' products. Buyers are responsible for their products and applications using TI components. To minimize the risks associated with Buyers' products and applications, Buyers should provide adequate design and operating safeguards.

TI does not warrant or represent that any license, either express or implied, is granted under any patent right, copyright, mask work right, or other intellectual property right relating to any combination, machine, or process in which TI components or services are used. Information published by TI regarding third-party products or services does not constitute a license to use such products or services or a warranty or endorsement thereof. Use of such information may require a license from a third party under the patents or other intellectual property of the third party, or a license from TI under the patents or other intellectual property of TI.

Reproduction of significant portions of TI information in TI data books or data sheets is permissible only if reproduction is without alteration and is accompanied by all associated warranties, conditions, limitations, and notices. TI is not responsible or liable for such altered documentation. Information of third parties may be subject to additional restrictions.

Resale of TI components or services with statements different from or beyond the parameters stated by TI for that component or service voids all express and any implied warranties for the associated TI component or service and is an unfair and deceptive business practice. TI is not responsible or liable for any such statements.

Buyer acknowledges and agrees that it is solely responsible for compliance with all legal, regulatory and safety-related requirements concerning its products, and any use of TI components in its applications, notwithstanding any applications-related information or support that may be provided by TI. Buyer represents and agrees that it has all the necessary expertise to create and implement safeguards which anticipate dangerous consequences of failures, monitor failures and their consequences, lessen the likelihood of failures that might cause harm and take appropriate remedial actions. Buyer will fully indemnify TI and its representatives against any damages arising out of the use of any TI components in safety-critical applications.

In some cases, TI components may be promoted specifically to facilitate safety-related applications. With such components, TI's goal is to help enable customers to design and create their own end-product solutions that meet applicable functional safety standards and requirements. Nonetheless, such components are subject to these terms.

No TI components are authorized for use in FDA Class III (or similar life-critical medical equipment) unless authorized officers of the parties have executed a special agreement specifically governing such use.

Only those TI components which TI has specifically designated as military grade or "enhanced plastic" are designed and intended for use in military/aerospace applications or environments. Buyer acknowledges and agrees that any military or aerospace use of TI components which have **not** been so designated is solely at the Buyer's risk, and that Buyer is solely responsible for compliance with all legal and regulatory requirements in connection with such use.

TI has specifically designated certain components as meeting ISO/TS16949 requirements, mainly for automotive use. In any case of use of non-designated products, TI will not be responsible for any failure to meet ISO/TS16949.

Products

Audio	www.ti.com/audio
Amplifiers	amplifier.ti.com
Data Converters	dataconverter.ti.com
DLP® Products	www.dlp.com
DSP	dsp.ti.com
Clocks and Timers	www.ti.com/clocks
Interface	interface.ti.com
Logic	logic.ti.com
Power Mgmt	power.ti.com
Microcontrollers	microcontroller.ti.com
RFID	www.ti-rfid.com
OMAP Applications Processors	www.ti.com/omap
Wireless Connectivity	www.ti.com/wirelessconnectivity

Applications

Automotive and Transportation	www.ti.com/automotive
Communications and Telecom	www.ti.com/communications
Computers and Peripherals	www.ti.com/computers
Consumer Electronics	www.ti.com/consumer-apps
Energy and Lighting	www.ti.com/energy
Industrial	www.ti.com/industrial
Medical	www.ti.com/medical
Security	www.ti.com/security
Space, Avionics and Defense	www.ti.com/space-avionics-defense
Video and Imaging	www.ti.com/video

TI E2E Community

e2e.ti.com