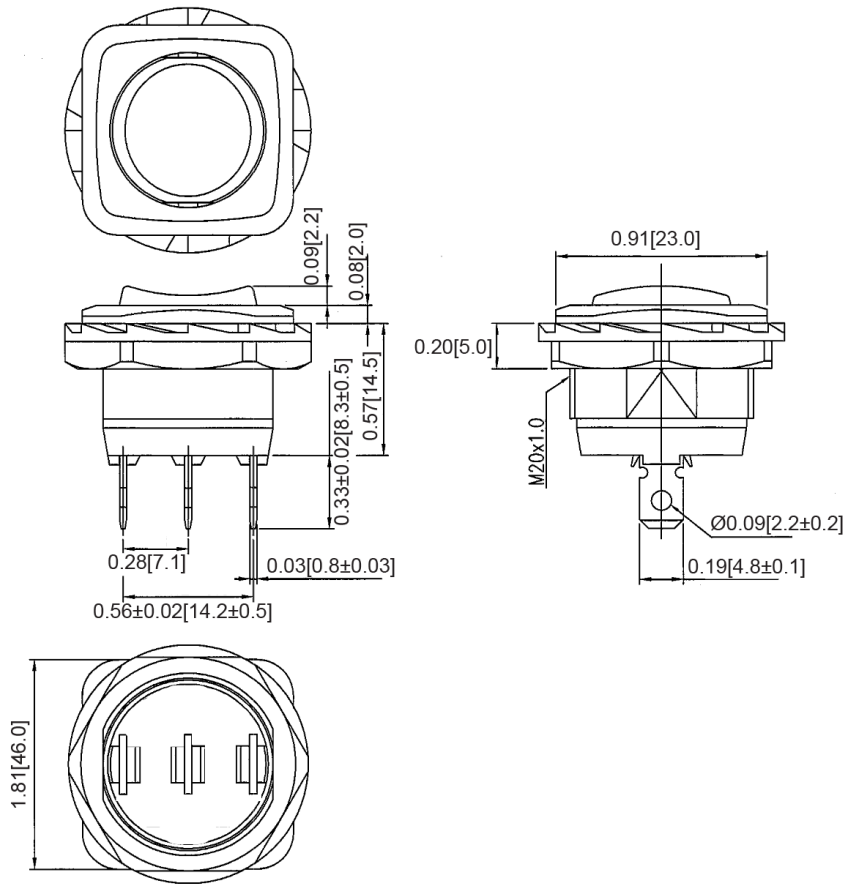
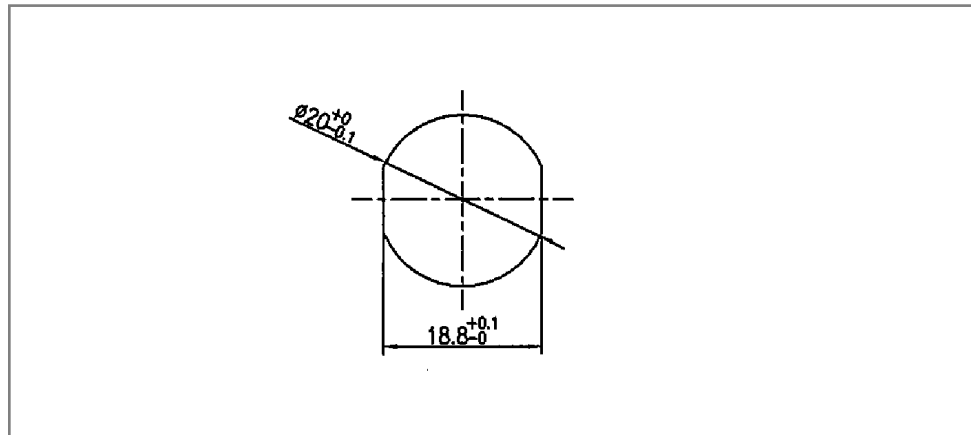


Mechanical Dimensions: Inches [mm]

Tolerances ± 0.012 [0.3] Unless Otherwise Specified

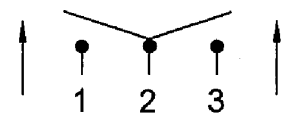


Mounting Hole



Circuit Diagram

3P SPDT (ON)-OFF-(ON)



Electrical Specifications

Rating	16A 125V DC, 10A 250V AC
Contact Resistance	50m ohm Max.
Insulation Resistance	DC 500V 100M ohm Min
Dielectric Strength	AC 1500V 1 minute

Material Specifications

Frame	Black, Nylon 66 +33%GF
Actuator	Black, Nylon 66

Rev **Date of issue** **Revision Notes**

Designed **Approved**

A	03-19-2021	Initial Drawing	RC	OF
---	------------	-----------------	----	----