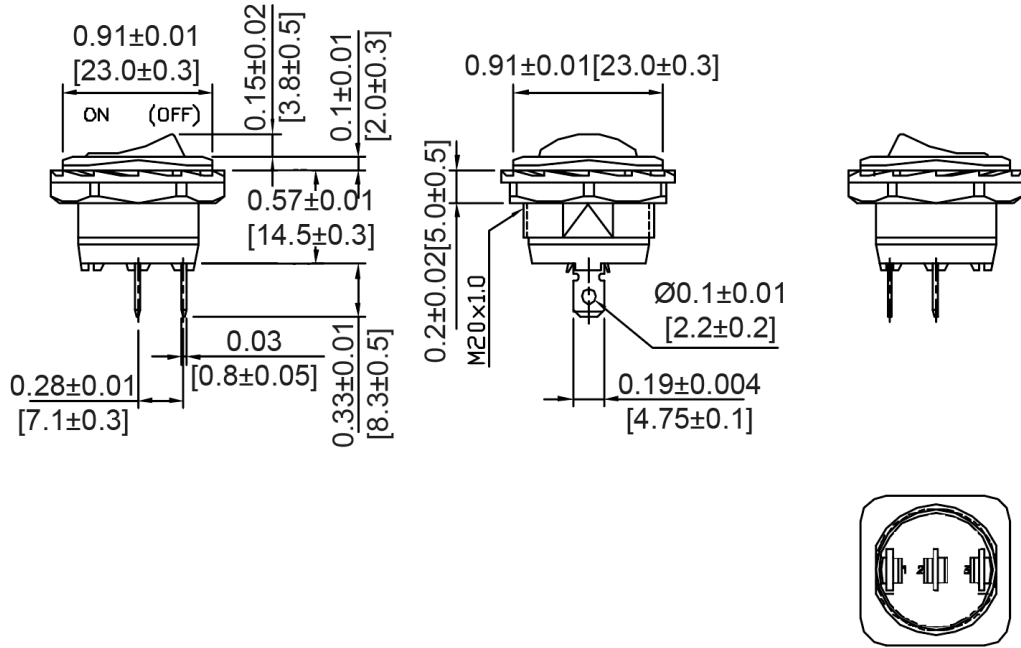
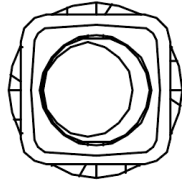
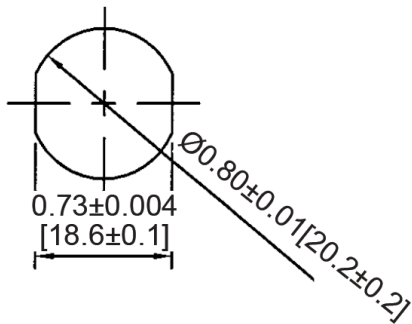


Mechanical Dimensions: Inches [mm]

Tolerances ± 0.012 [0.3] Unless Otherwise Specified



Mounting Hole



Circuit Diagram

2P SPST ON-(OFF)



Electrical Specifications

Rating	20A 14V DC, 10A 28V DC
Contact Resistance	50m ohm Max
Insulation Resistance	DC 500V 100M ohm Min
Dielectric Strength	AC 1500V 1 minute
Operation Temperature	-20°C~85°C

Rev	Date of issue	Revision Notes	Designed	Approved
B	08-09-2021	Initial Drawing	RC	OF