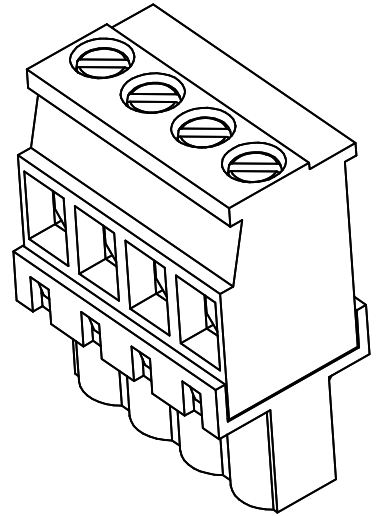
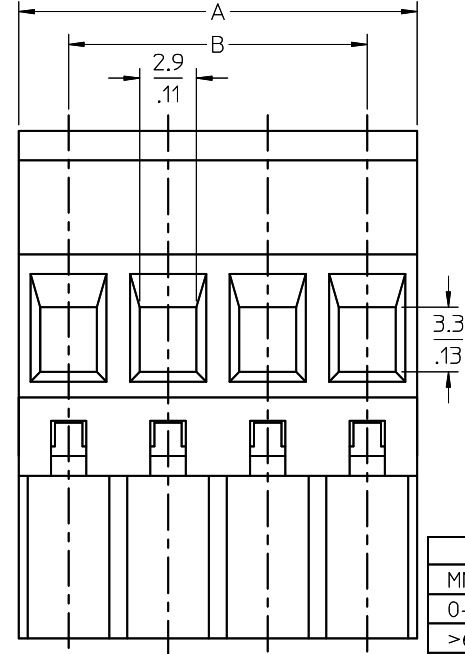
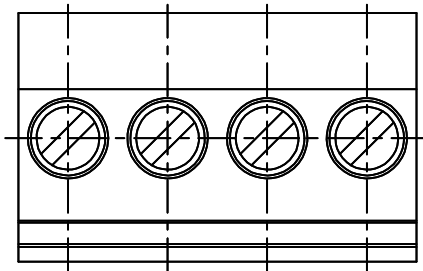
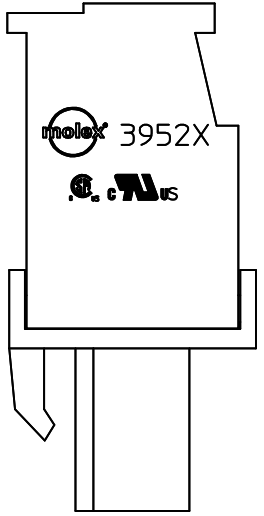
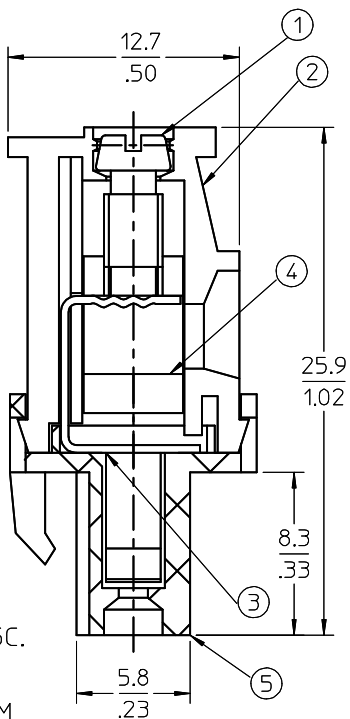


CIRCUITS	P/N	COLOR	IMPRINTING
2	395239000	GREEN	SEE SHEET 2
2	395239001	GREEN	SEE SHEET 2
4	395239002	GREEN	SEE SHEET 2
5	395239003	GREEN	SEE SHEET 2
6	395239004	GREEN	SEE SHEET 2
7	395239005	GREEN	SEE SHEET 2

CUSTOMER PRODUCTION APPROVAL  
 APPROVED BY: \_\_\_\_\_  
 DATE: \_\_\_\_\_  
 MUST BE SIGNED AND RETURNED BEFORE  
 PRODUCTION WILL BEGIN.



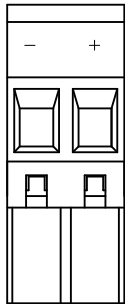
**SPECIFICATIONS:**

- Material:
  - Screw: Steel
  - Cover: PA66
  - Terminal: Phosphor Bronze
  - Cage: Brass
  - Body: PA66
- Wire range: 12 - 26 AWG
- Electrical rating: 300V, 15A.
- Wire strip length: 5.0mm.
- Operating temperature: -40C to +105C.
- Max torque: 5 In Lbs.
- Insulation resistance: DC 500V, 500M.
- Dielectric withstand: AC 2500V for 1 minute.
- Breakdown voltage: 4000V.
- Contact resistance: <10 mW.
- A = (N x P)
- B = (N - 1) x P
- P (PITCH) = 5.0mm (.197").
- N = Number of positions available 2 through 24.

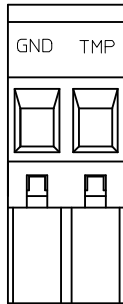
TOLERANCES			
MM	TOL	INCH	TOL
0-6	±0.25	0-.24	±.010
>6-30	±0.40	.24-1.18	±.016
>30-120	±0.50	1.18-4.76	±.020
>120	±0.80	>4.76	±.031

IRPM-T201741599 EC NO: IPG2018-0096 DRW: ABENJAMINLW 2017/08/23 CHKD: BRUPERT APPR: BRUPERT 2017/08/30	QUALITY SYMBOLS ▽=0 ▽=0	GENERAL TOLERANCES (UNLESS SPECIFIED) <table border="1"> <tr> <th></th> <th>mm</th> <th>INCH</th> </tr> <tr> <td>4 PLACES</td> <td>±---</td> <td>±---</td> </tr> <tr> <td>3 PLACES</td> <td>±---</td> <td>±---</td> </tr> <tr> <td>2 PLACES</td> <td>±---</td> <td>±---</td> </tr> <tr> <td>1 PLACE</td> <td>±---</td> <td>±---</td> </tr> </table>		mm	INCH	4 PLACES	±---	±---	3 PLACES	±---	±---	2 PLACES	±---	±---	1 PLACE	±---	±---	DIMENSION STYLE <b>MM/IN</b>	SCALE <b>4:1</b>	DESIGN UNITS <b>INCH</b>	THIRD ANGLE PROJECTION
		mm	INCH																		
	4 PLACES	±---	±---																		
	3 PLACES	±---	±---																		
2 PLACES	±---	±---																			
1 PLACE	±---	±---																			
DRAFT WHERE APPLICABLE MUST REMAIN WITHIN DIMENSIONS		DRAWN BY ABENJAMINLW	DATE 2017/08/23	TITLE <b>5.0MM, EURO PLUG, VERT, REAR WIRE ENTRY W/ SPCL IMPRINTING</b>																	
APPROVED BY BRUPERT		DATE 2017/08/30		Molex <b>MOLEX INCORPORATED</b>																	
MATERIAL NO.		<b>SEE CHART</b>		DOCUMENT NO. <b>RSD-39523-001</b>	SHEET NO. <b>1 OF 2</b>																

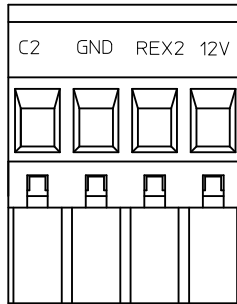
IMPRINTING CHART



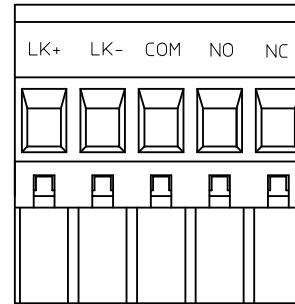
395239000



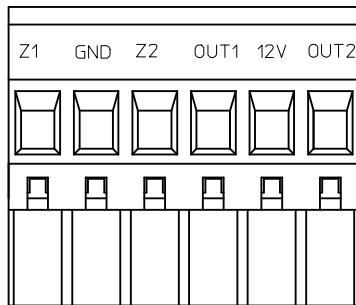
395239001



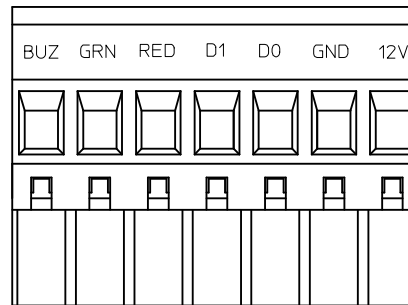
395239002



395239003

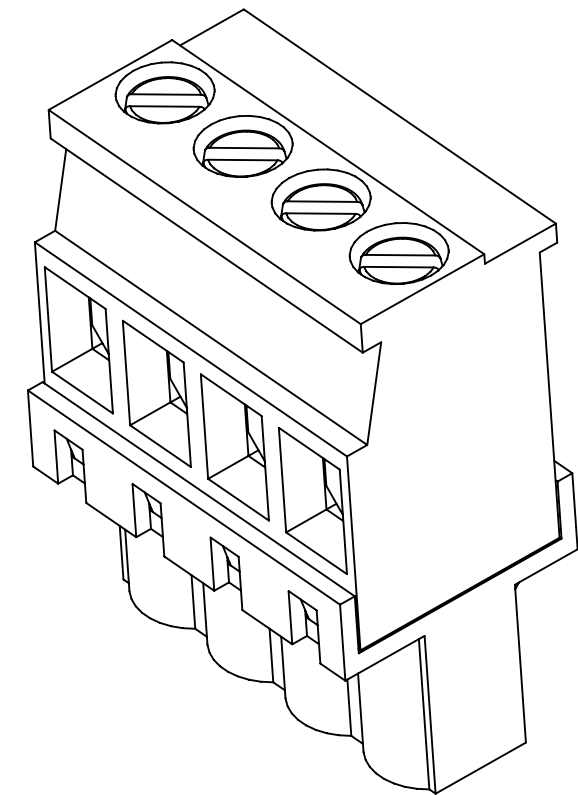
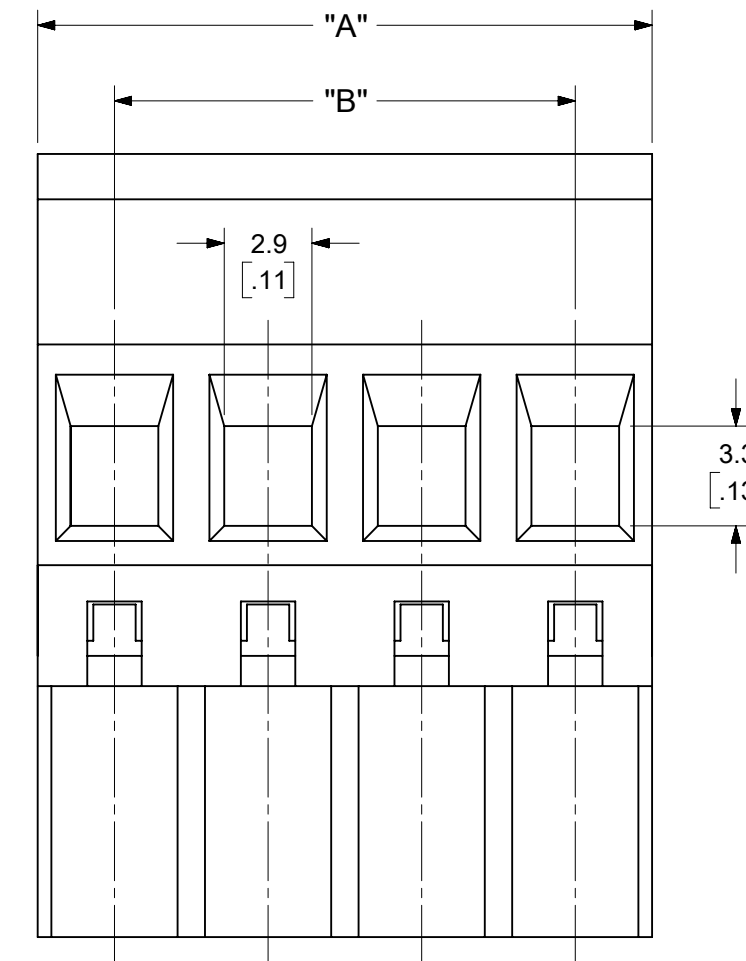
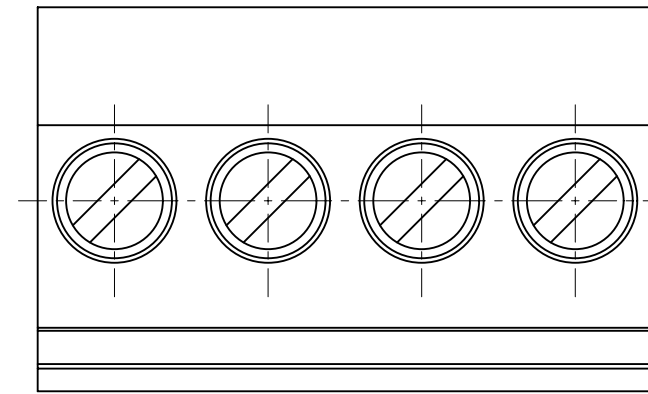
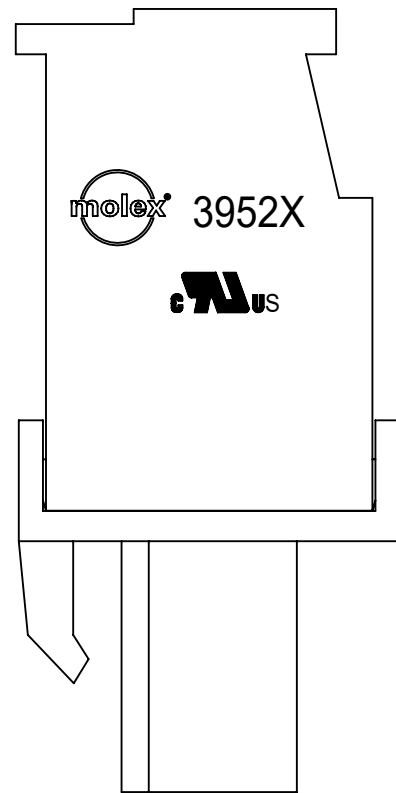
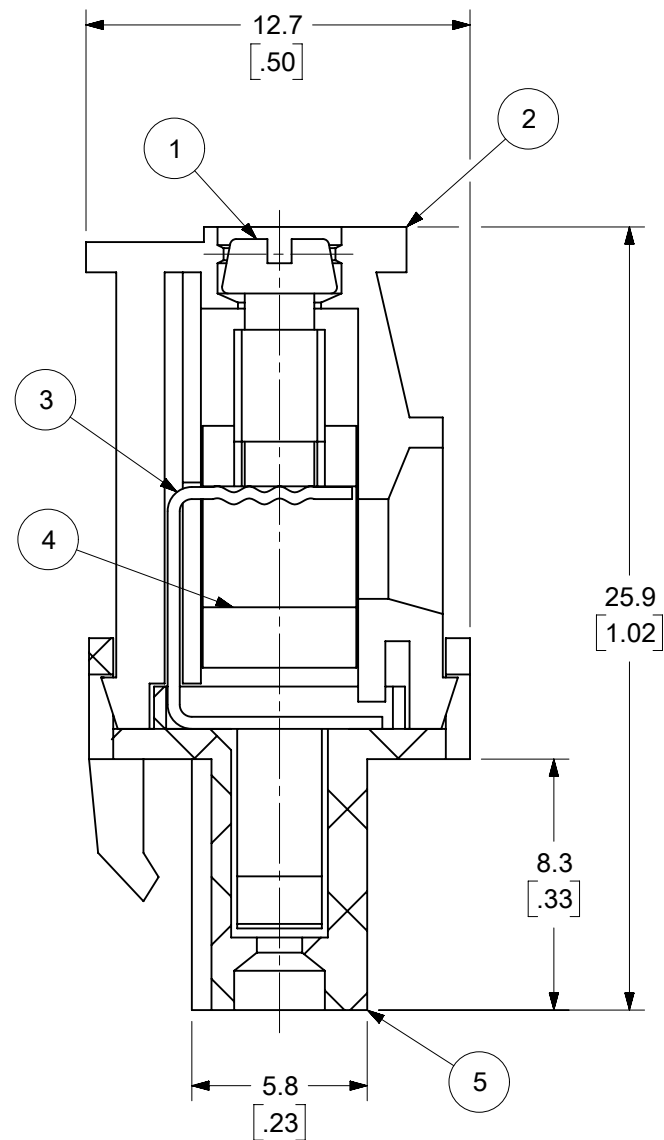


395239004



395239005

RPM-T201741599 EC NO: IPG2018-0096 DRWN: ABENJAMINLW 2017/08/23 CHKD: APPR: BRUPERT 2017/08/30	DESCRIPTION REV	QUALITY SYMBOLS	GENERAL TOLERANCES (UNLESS SPECIFIED)	DIMENSION STYLE MM/IN	SCALE 2:1	DESIGN UNITS INCH	THIRD ANGLE PROJECTION
		$F_A = 0$ $F_G = 0$ $F_P = 0$	mm    INCH 4 PLACES ± --- ± --- 3 PLACES ± --- ± --- 2 PLACES ± --- ± --- 1 PLACE ± --- ± --- 0 PLACE ±    ±	DRAWN BY    DATE ABENJAMINLW 2017/08/23 CHECKED BY    DATE	TITLE		
		ANGULAR ± --- ° DRAFT WHERE APPLICABLE MUST REMAIN WITHIN DIMENSIONS	APPROVED BY    DATE BRUPERT 2017/08/30 MATERIAL NO.	5.0MM, EURO PLUG, VERT, REAR WIRE ENTRY W/ SPCL IMPRINTING <b>molex</b>	SHEET NO.		
		SEE CHART	DOCUMENT NO. RSD-39523-001	2 OF 2			



**SPECIFICATIONS:**

**1. MATERIAL:**

- (1). M3 CLAMP SCREW: ZINC PLATED STEEL
  - (2). COVER: PA66, UL94-V0
  - (3). TERMINAL: TIN PLATED COPPER ALLOY
  - (4). CAGE: NICKEL PLATED BRASS
  - (5). BODY: PA66, UL94-V0
2. WIRE RANGE: 12 - 30 AWG
3. ELECTRICAL RATING: 300V, 18A PER UL
4. WIRE STRIP LENGTH: 5.0mm.
5. OPERATING TEMPERATURE: -40°C to +105°C.
6. MAX TORQUE: 5 IN LBS.
7. INSULATION RESISTANCE: DC 500V, 500MΩ.
8. DIELECTRIC WITHSTAND: AC 2500V FOR 1 MINUTE.
9. BREAKDOWN VOLTAGE: 4000V.
10. CONTACT RESISTANCE: <10 mΩ.

TOLERANCES			
MM	TOL	INCH	TOL
0-6	±0.25	0-.24	±.010
>6-30	±0.40	>.24-1.18	±.016
>30-120	±0.50	>1.18-4.76	±.020
>120	±0.80	>4.76	±.031

FUNCTIONAL SYMBOLS		THIS DRAWING CONTAINS INFORMATION THAT IS PROPRIETARY TO MOLEX ELECTRONIC TECHNOLOGIES, LLC AND SHOULD NOT BE USED WITHOUT WRITTEN PERMISSION		CURRENT REV DESC: REMOVED PCB LAYOUT		<b>molex</b>	
DIMENSION UNITS		SCALE		EC NO: 750901			
MM/INCH		4:1		DRWN: ABENJAMINLW		5.0MM, EURO PLUG, VERTICAL, REAR WIRE ENTRY	
GENERAL TOLERANCES (UNLESS SPECIFIED)				CHK'D: DACHAMMER		PRODUCT CUSTOMER DRAWING	
4 PLACES ± --- ± ---				APPR: JFMURPHY		DOCUMENT NUMBER	
3 PLACES ± --- ± SEE CHART				INITIAL REVISION:		SD-39523-002	
2 PLACES ± SEE CHART ± SEE CHART				DRWN: LROTHAUS		PSD 001 A5	
1 PLACE ± SEE CHART ± ---				APPR: JPAWLICK		SHEET NUMBER	
0 PLACES ± --- ± ---				DRAFT WHERE APPLICABLE MUST REMAIN WITHIN DIMENSIONS		1 OF 2	
ANGULAR TOL ± ---				THIRD ANGLE PROJECTION		MATERIAL NUMBER	
				DRAWING		CUSTOMER	
				SERIES		GENERAL MARKET	
				B-SIZE			
				39523			

