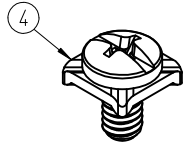
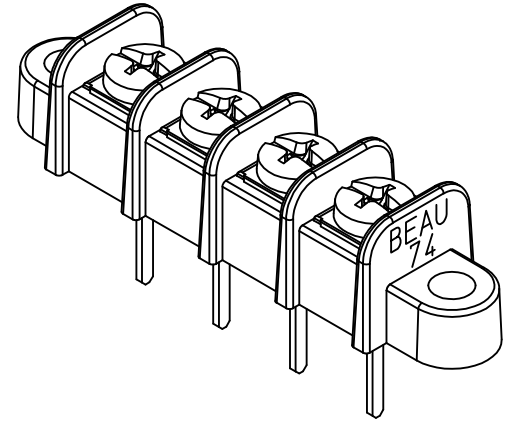
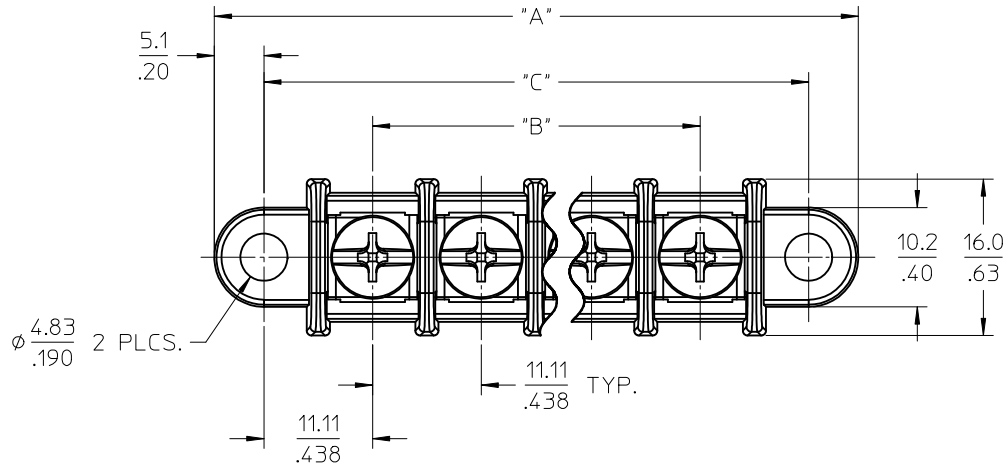


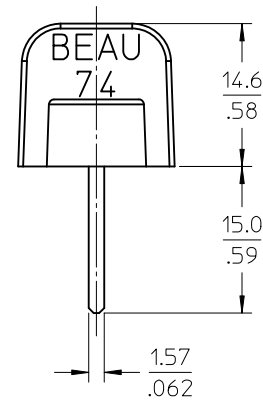
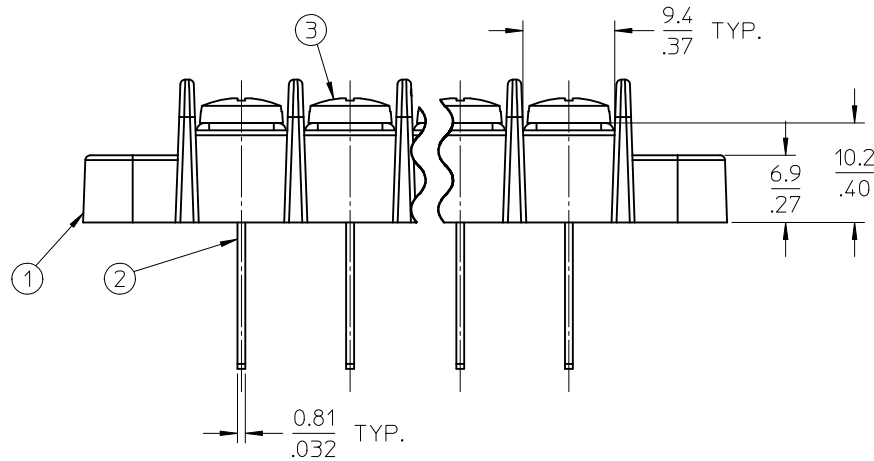
10 9 8 7 6 5 4 3 2



REF. -A-50 OPT. SCREW
(WHERE APPLICABLE)



AUX. VIEW
(4 CIRCUIT SHOWN)



NOTES:

1. MATERIAL: SEE TABLE.
2. FINISHES: SEE TABLE.
3. "XX" REFERS TO THE QUANTITY OF CIRCUITS.
4. ASSEMBLY IS ROHS COMPLIANT.

4	XX	SCREW&WSHR, #8-32X.25, PAN, PH/SL (-A-50 OPT.)	STEEL	ZN, CLEAR CHROMATE
3	XX	SCREW, #8-32X.25, BHD, PH/SL (-A OPT.)	BRASS	NICKEL PLATE
2	XX	TERMINAL, WIRE WRAP, #8-32	BRASS	TIN PLATE
1	1	HOUSING, SINGLE ROW	POLYESTER (PBT)	BLACK
ITEM	QTY.	DESCRIPTION	MATERIAL	FINISH

INITIAL RELEASE
EC NO: WNAZ011-0047
DRAWN: CLYORK 2010/07/26
CHKD: DTITUS 2010/08/23
APPR: DTITUS 2010/08/24

QUALITY SYMBOLS
▽=0
▽=0

GENERAL TOLERANCES (UNLESS SPECIFIED)	
	mm INCH
4 PLACES	± --- ± ---
3 PLACES	± --- ± .005
2 PLACES	± 0.13 ± .01
1 PLACE	± 0.25 ± ---
ANGULAR ± 2 °	
DRAFT WHERE APPLICABLE MUST REMAIN WITHIN DIMENSIONS	

DIMENSION STYLE	
MM/IN	
DRAWN BY	DATE
C. YORK	2009/06/03
CHECKED BY	DATE
DTITUS	2010/07/26
APPROVED BY	DATE
R. DEROSS	2009/06/03
MATERIAL NO.	
SEE SHEET 2	

SCALE	DESIGN UNITS	THIRD ANGLE PROJECTION
2:1	INCH	☉
TITLE		
11.11/.438 SR BTS ASSY #8-32 WW, W/MTG		
MOLEX INCORPORATED		SHEET NO.
DOCUMENT NO.		1 OF 2
THIS DRAWING CONTAINS INFORMATION THAT IS PROPRIETARY TO MOLEX INCORPORATED AND SHOULD NOT BE USED WITHOUT WRITTEN PERMISSION		

9 8 7 6 5 4 3 2 1

# OF CIRC. 'XX'	DIM. 'A'	DIM. 'B'	DIM. 'C'	ASSEMBLY MATERIAL NO. (-A OPTION)	ASSEMBLY MATERIAL NO. (-A-50 OPTION)
02	43.5 / 1.71	11.11 / .438	33.34 / 1.313	387421302	387421402
03	54.6 / 2.15	22.23 / .875	44.45 / 1.750	387421303	387421403
04	65.7 / 2.59	33.34 / 1.313	55.56 / 2.188	387421304	387421404
05	76.8 / 3.03	44.45 / 1.750	66.68 / 2.625	387421305	387421405
06	87.9 / 3.46	55.56 / 2.188	77.79 / 3.063	387421306	387421406
07	99.1 / 3.90	66.68 / 2.625	88.90 / 3.500	387421307	387421407
08	110.2 / 4.34	77.79 / 3.063	100.01 / 3.938	387421308	387421408
09	121.3 / 4.78	88.90 / 3.500	111.13 / 4.375	387421309	387421409
10	132.4 / 5.21	100.01 / 3.938	122.24 / 4.813	387421310	387421410
11	143.5 / 5.65	111.13 / 4.375	133.35 / 5.250	387421311	387421411
12	154.6 / 6.09	122.24 / 4.813	144.46 / 5.688	387421312	387421412
13	165.7 / 6.53	133.35 / 5.250	155.58 / 6.125	387421313	387421413
14	176.8 / 6.96	144.46 / 5.688	166.69 / 6.563	387421314	387421414
15	188.0 / 7.40	155.58 / 6.125	177.80 / 7.000	387421315	387421415
16	199.1 / 7.84	166.69 / 6.563	188.91 / 7.438	387421316	387421416
17	210.2 / 8.28	177.80 / 7.000	200.03 / 7.875	387421317	387421417
18	221.3 / 8.71	188.91 / 7.438	211.14 / 8.313	387421318	387421418
19	232.4 / 9.15	200.03 / 7.875	222.25 / 8.750	387421319	387421419
20	243.5 / 9.59	211.14 / 8.313	233.36 / 9.188	387421320	387421420
21	254.6 / 10.03	222.25 / 8.750	244.48 / 9.625	387421321	387421421
22	265.7 / 10.46	233.36 / 9.188	255.59 / 10.063	387421322	387421422
23	276.9 / 10.90	244.48 / 9.625	266.70 / 10.500	387421323	387421423
24	288.0 / 11.34	255.59 / 10.063	277.81 / 10.938	387421324	387421424
25	299.1 / 11.78	266.70 / 10.500	288.93 / 11.375	387421325	387421425
26	310.2 / 12.21	277.81 / 10.938	300.04 / 11.813	387421326	387421426
27	321.3 / 12.65	288.93 / 11.375	311.15 / 12.250	387421327	387421427
28	332.4 / 13.09	300.04 / 11.813	322.26 / 12.688	387421328	387421428
29	343.5 / 13.53	311.15 / 12.250	333.38 / 13.125	387421329	387421429
30	354.6 / 13.96	322.26 / 12.688	344.49 / 13.563	387421330	387421430

SEE SHEET ONE EC NO: WNA2011-0047 DRW: KCL YORK CHKD: 2010/08/23 APPR: DTITUS 2010/08/24	REV DESCRIPTION A	QUALITY SYMBOLS ▽=0 ▽=0	GENERAL TOLERANCES (UNLESS SPECIFIED) mm INCH 4 PLACES ± --- ± --- 3 PLACES ± --- ± .005 2 PLACES ± 0.13 ± .01 1 PLACE ± 0.25 ± --- ANGULAR ± 2 °	DIMENSION STYLE MM/IN DRAWN BY DATE C. YORK 2009/06/03 CHECKED BY DATE DTITUS 2010/07/26 APPROVED BY DATE R. DEROSS 2009/06/03	SCALE 2:1 DESIGN UNITS INCH THIRD ANGLE PROJECTION	TITLE 11.11/.438 SR BTS ASSY #8-32 WW, W/MTG
		DRAFT WHERE APPLICABLE MUST REMAIN WITHIN DIMENSIONS	MATERIAL NO. SEE CHART	MOLEX INCORPORATED DOCUMENT NO. SD-38742-002	SHEET NO. 2 OF 2	
		THIS DRAWING CONTAINS INFORMATION THAT IS PROPRIETARY TO MOLEX INCORPORATED AND SHOULD NOT BE USED WITHOUT WRITTEN PERMISSION				