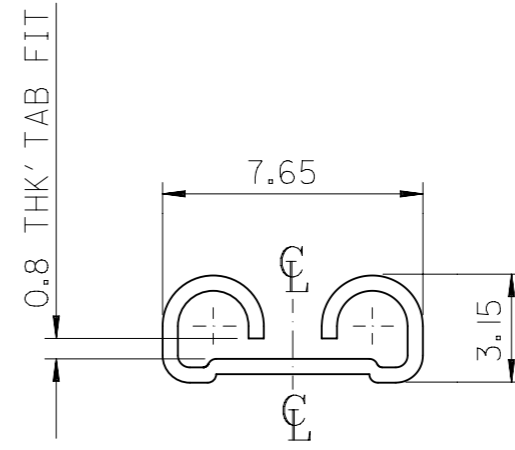
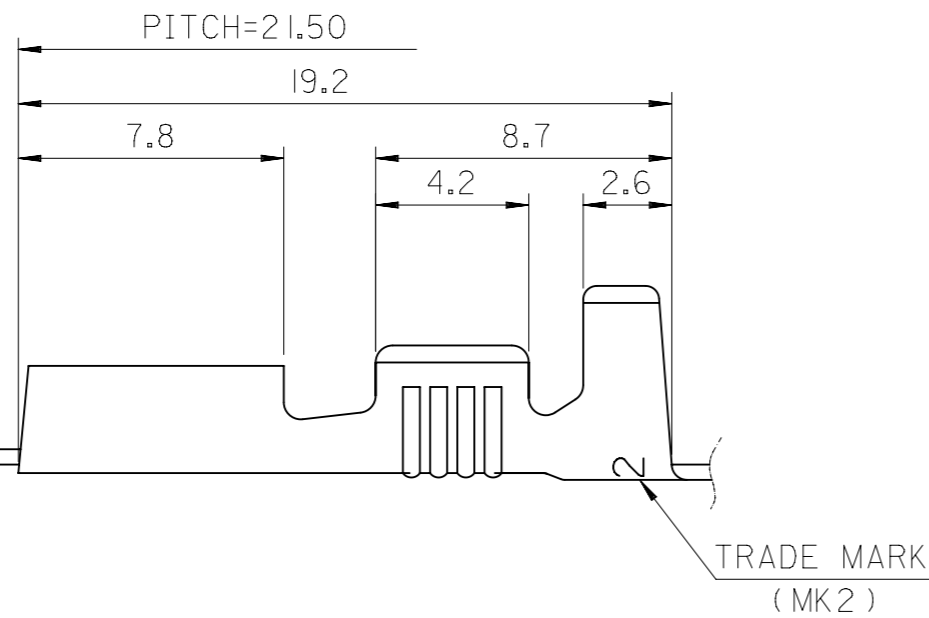
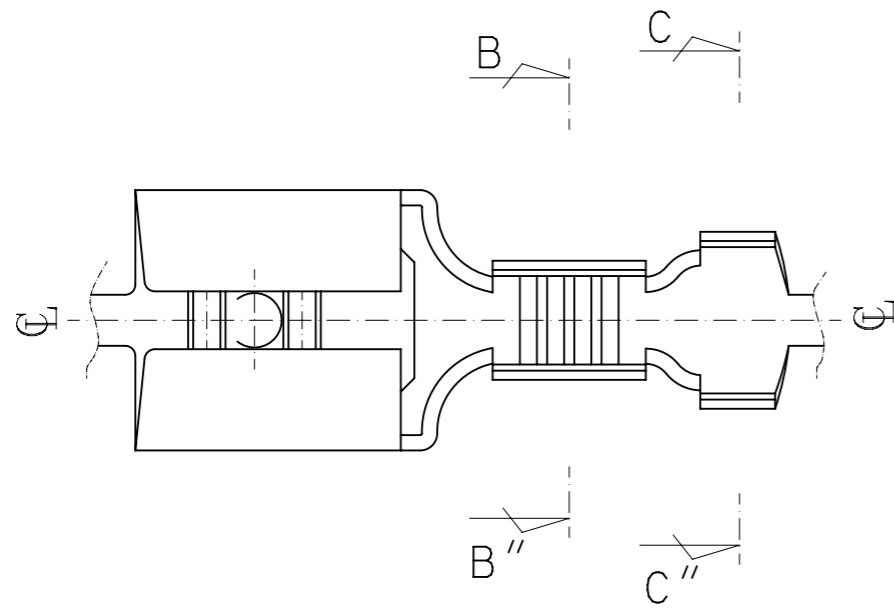


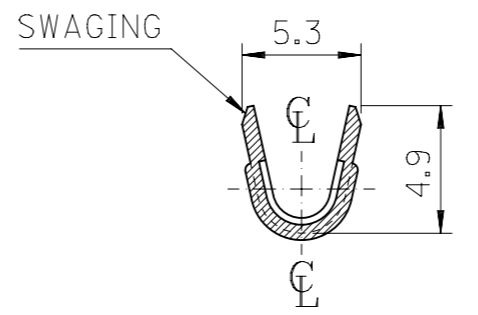
NOTES

1. MATERIAL : BRASS , 0.45mm THICKNESS
2. PART NUMBER
3. MATING TAB THICKNESS : 0.8 mm

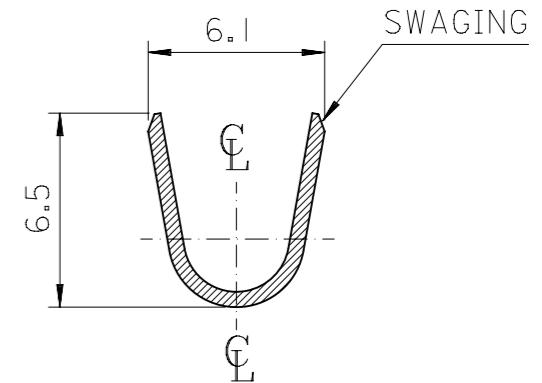
PART NUMBER	FINISH
35725-2710	POST PLATED TIN



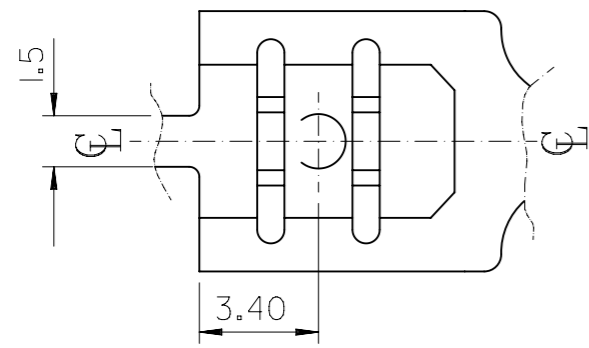
VIEW "A"



SEC' : B-B''



SEC' : C-C''



WIRE RANGE AWG #14-#10	THIS DRAWING CONTAINS INFORMATION THAT IS PROPRIETARY TO MOLEX ELECTRONIC TECHNOLOGIES, LLC AND SHOULD NOT BE USED WITHOUT WRITTEN PERMISSION			
	DIMENSION UNITS mm	SCALE 4.5:1		
INSULATION RANGE Ø 3.8 -5.3	GENERAL TOLERANCES (UNLESS SPECIFIED)		EC NO: 673989	
		MM	INCH	DRWN: AKUMAR19 2021/04/05
DIE FEED: //	4 PLACES	±	±	CHK'D: GGA 2021/08/19
	3 PLACES	±	±	APPR: GGA 2021/08/19
APPLICATOR FEED: 21.50	2 PLACES	±	0.2	INITIAL REVISION:
	1 PLACE	±	0.3	DRWN: J.S.KANG
Q'TY/ REEL OR PACK 4,000 Q'TY/REEL	0 PLACES	±	±	APPR:
	ANGULAR TOL ± 0.5°		THIRD ANGLE PROJECTION	
DRAFT WHERE APPLICABLE MUST REMAIN WITHIN DIMENSIONS		DRAWING		SHEET NUMBER
		A3-SIZE		1 OF 1
		SERIES	MATERIAL NUMBER	CUSTOMER
		35725	SEE TABLE	GENERAL MARKET
DOCUMENT STATUS		DOC TYPE	DOC PART	REVISION
P1		PSD	001	E
RELEASE DATE		DOCUMENT NUMBER		
2021/08/19 08:28:36		SD-35725-27X0		