

NOTES:

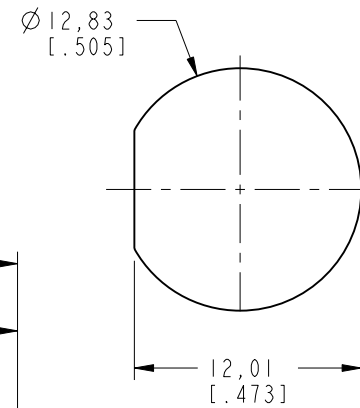
1. MATERIALS AND FINISHES:
 BODY, LOCK RING, LOCK WASHER &
 HEX-NUT - BRASS, NICKEL PLATING
 INSULATOR - PTFE, NATURAL
 CONTACTS - BeCu, GOLD PLATING
2. ELECTRICAL:
 A. IMPEDANCE: 75 OHM
 B. FREQUENCY RANGE: DC-12 GHz
 C. RETURN LOSS: -20 dB MAX. @ DC-6 GHz
 -15 dB MAX. @ 6-12 GHz
 D. DWV: 1500 VRMS

3. MECHANICAL:
 A. DURABILITY: 500 CYCLES MIN.
 B. TEMPERATURE RANGE: -65°C TO +165°C
 C. RECOMMENDED TORQUE: 30 IN-LBS
4. PACKAGING:
 A. QUANTITY: SINGLE PACK
 B. MARKING: BAG TO BE MARKED
 "AMPHENOL RF, 31-220N-75-12G, DATE CODE"

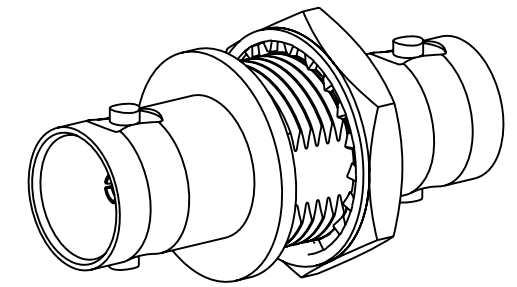
THIRD ANGLE PROJ.

REVISIONS

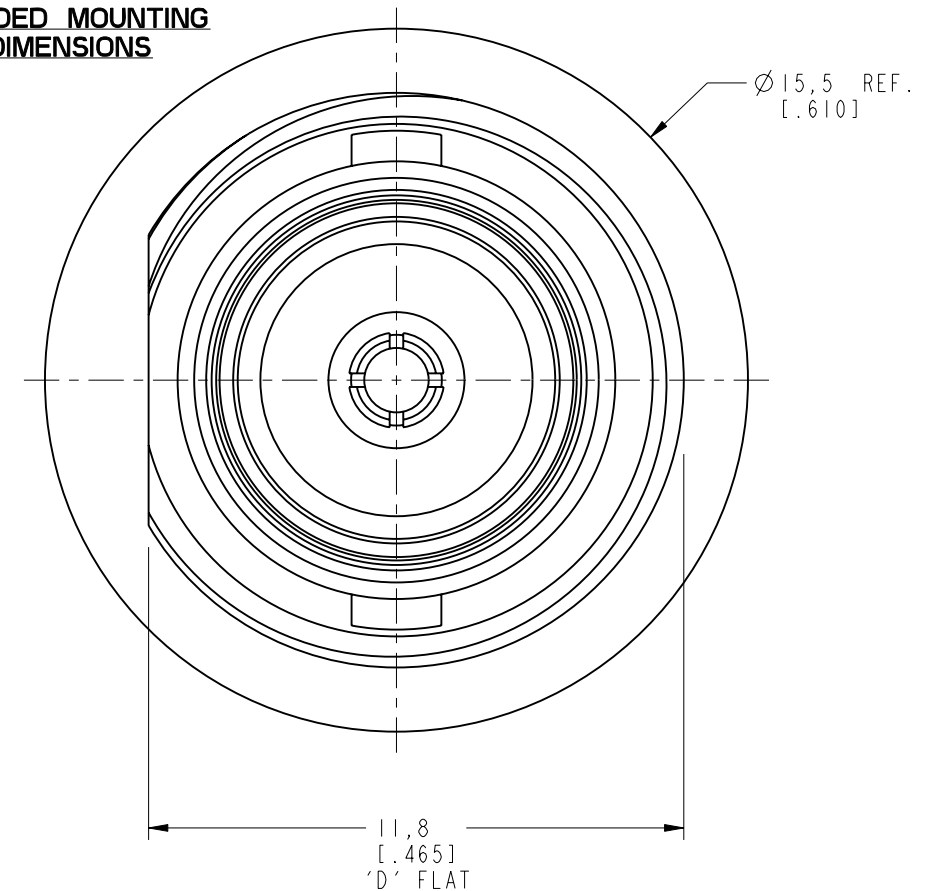
REV	DESCRIPTION	DATE	ECN	APPR
A	RELEASE TO MFG.	04-May-18	08023	BMG



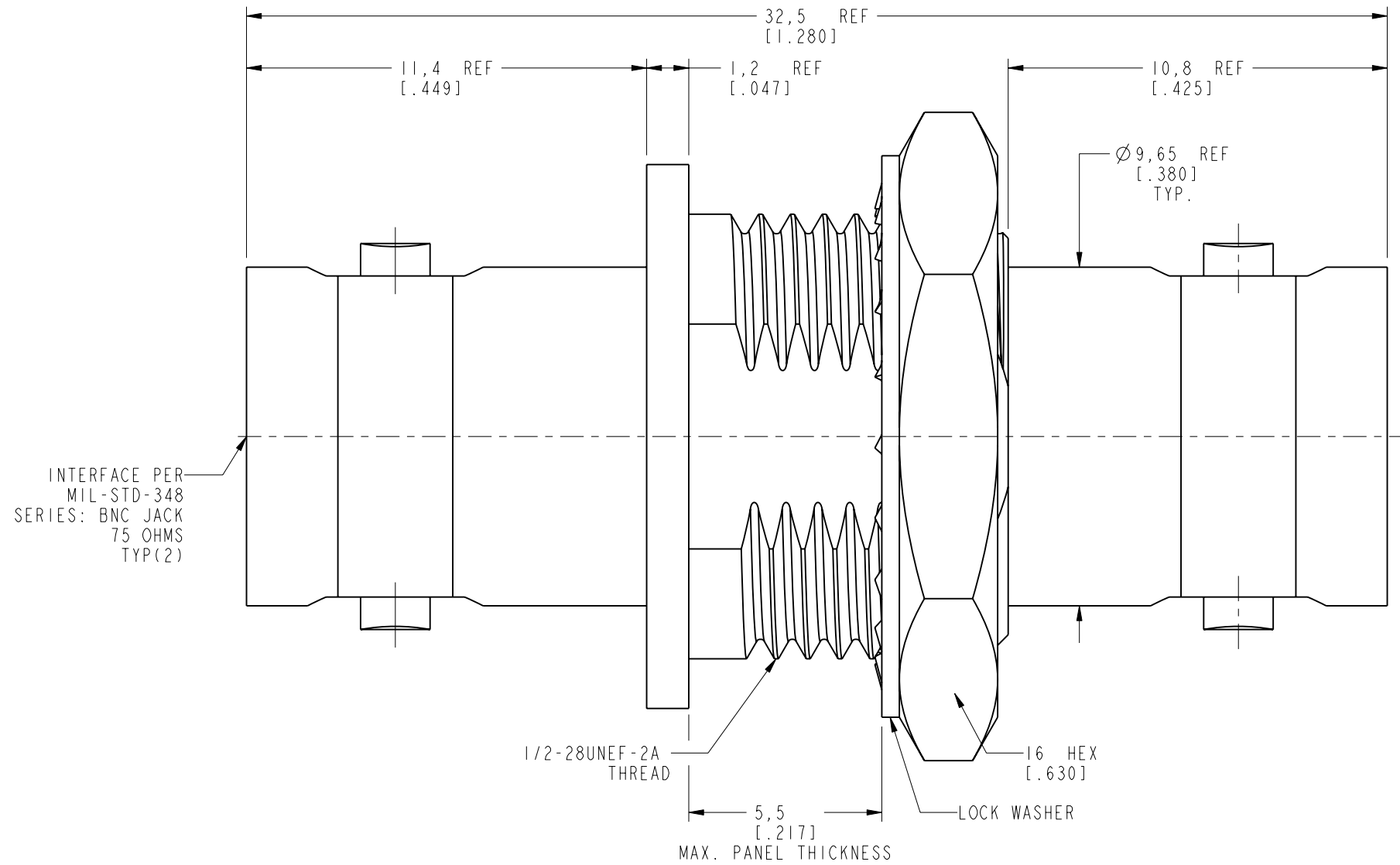
RECOMMENDED MOUNTING HOLE DIMENSIONS



SCALE 2.000



HEX-NUT & LOCKWASHER NOT SHOWN



INTERFACE PER MIL-STD-348 SERIES: BNC JACK 75 OHMS TYP(2)

1/2-28UNEF-2A THREAD
 LOCK WASHER
 16 HEX [1.630]

CUSTOMER OUTLINE DRAWING

ALL OTHER SHEETS ARE FOR INTERNAL USE ONLY

UNLESS OTHERWISE SPECIFIED, DIMENSIONS ARE IN METRIC AND TOLERANCES ARE:
 <0.5mm ±0.05mm 0.5 - 6mm ±0.1mm 6 - 30mm ±0.2mm 30 - 120mm ±0.3mm ANGLES ±1°

NOTICE - These drawings, specifications, or other data (1) are, and remain the property of Amphenol corp. (2) must be returned upon request; and (3) are confidential and not to be disclosed to any person other than those to whom they are given by Amphenol Corp. the furnishing of these drawings, specifications, or other data by Amphenol Corp., or to any other person to anyone for any purpose is not to be regarded by implication or otherwise in any manner licensing, granting rights to permitting such holder or any other person to manufacture, use or sell any product, process or design, patented or otherwise, that may in any way be related to or disclosed by said drawings, specifications, or other data.

MATERIAL SEE NOTES	DRAWN K. SONG	DATE 07-May-18	TITLE 75 OHM BNC STR BHD JACK TO JACK ADAPTER	Amphenol RF www.amphenolrf.com
REFERENCE EAR# 7824	ENGINEER ANANDH G	DATE 12-Sep-17		
REF:	APPROVED S.HSIEH	DATE 09-May-18	SCALE: 6.0:1.0	SHEET 2 OF 2
CONFIGURATION LEVEL: In Work	CAD FILE		DWG SIZE B	REV A
FINISH				DRAWING NO. 31-220N-75-12G
				ITEM NO. 31-220N-75-12G
				PART NO. 31-220N-75-12G