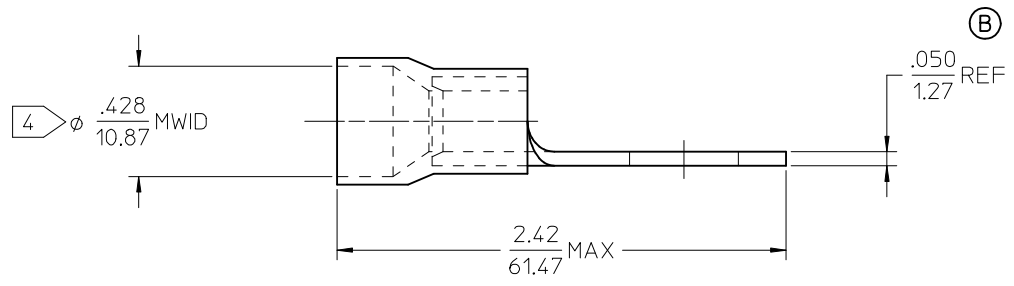
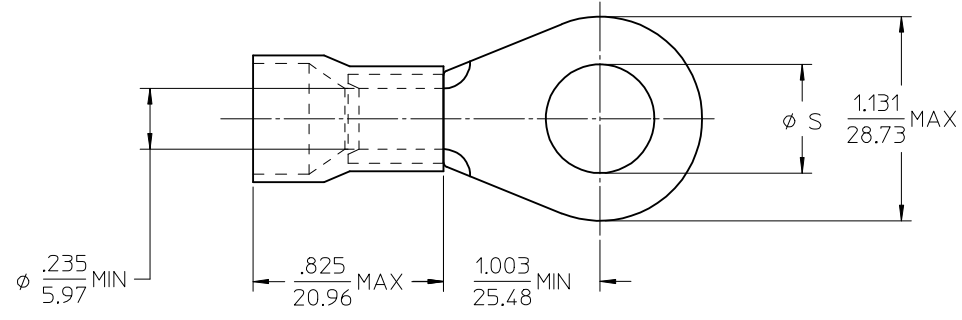


10	9	8	7	6	5	4	3	2	1
MATERIAL NO.	ENG. NO.	STUD SIZE	$\phi S \pm .005/0.13$						
190670066	E-959-34	3/4	.781/19.84						



- NOTE(S):
1. TERMINAL MATERIAL: COPPER ALLOY.
 2. TERMINAL FINISH: ELECTRO TIN PLATE.
 3. INSULATION MATERIAL: NYLON, COLOR CODED BLUE.
- \square MWID = MAXIMUM WIRE INSULATION DIAMETER.
- B 5. ALL COMPONENTS ARE ROHS COMPLIANT.

REDWN & RDC MATL THKNS EC NO: 2006/10/16 DRW: EPHILE CHKD: JMACNEIL APPR: B	DESCRIPTION	QUALITY SYMBOLS	GENERAL TOLERANCES (UNLESS SPECIFIED)	DIMENSION STYLE	SCALE	DESIGN UNITS	THIRD ANGLE PROJECTION	
		$\nabla=0$	mm INCH	IN/MM	4:1	INCH		
		$\nabla=0$	4 PLACES ± --- ± ---	DRAWN BY DATE	TITLE	RING TONGUE TERMINAL, FUNNEL ENTRY, 6 AWG, NYLAKRIMP		
			3 PLACES ± --- ± ---	EHILE 2006/10/16				
	2 PLACES ± --- ± ---	CHECKED BY DATE	MOLEX INCORPORATED					
	1 PLACE ± --- ± ---	JMACNEIL 2006/10/16						
	ANGULAR ± ---°	APPROVED BY DATE	DOCUMENT NO.	SD-19067-015				
		JMACNEIL 2006/10/16	SHEET NO.					
		DRAFT WHERE APPLICABLE MUST REMAIN WITHIN DIMENSIONS	MATERIAL NO.	THIS DRAWING CONTAINS INFORMATION THAT IS PROPRIETARY TO MOLEX INCORPORATED AND SHOULD NOT BE USED WITHOUT WRITTEN PERMISSION				
			SEE CHART					
			SIZE B					