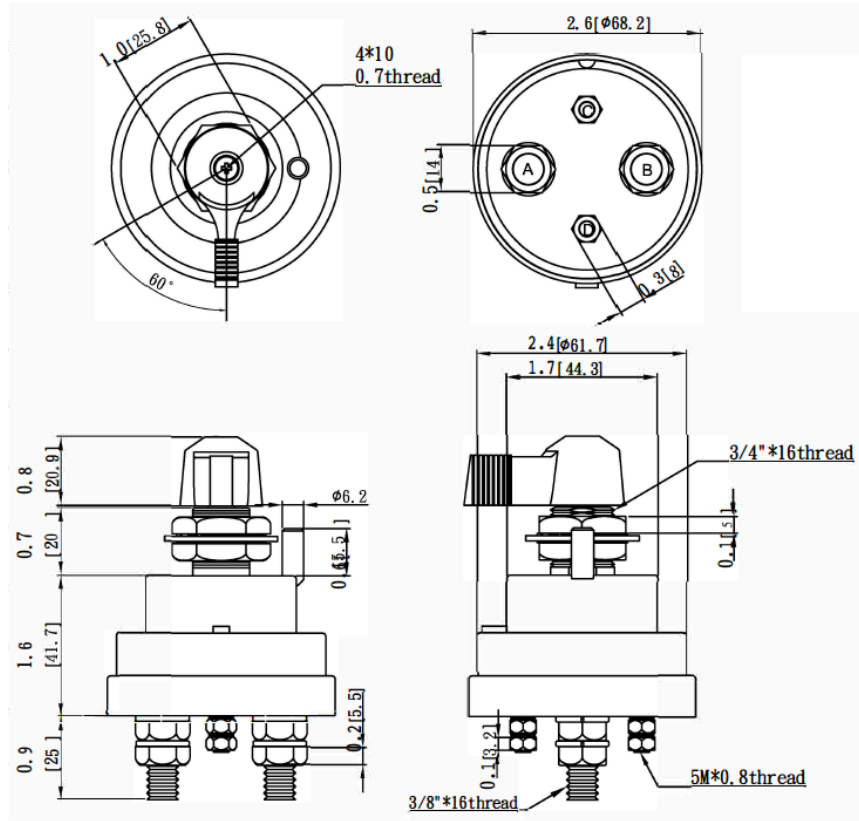
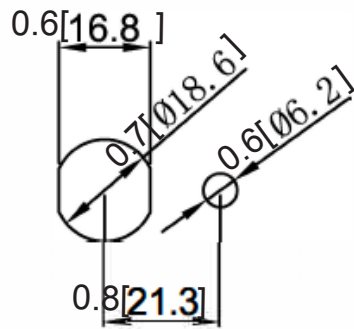


Mechanical Dimensions: Inches [mm]

Tolerances  $\pm 0.012$  [0.3] Unless Otherwise Specified

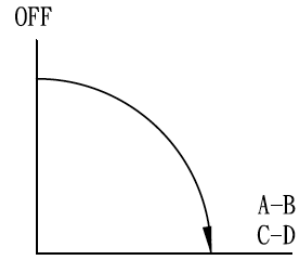


Mounting Hole



Circuit Diagram

**DPST:** For battery and alternator or generator field circuit.



Electrical Specifications

<b>Continuous Rating</b>	180A 6-36VDC (Large Studs), 20A 6-36VDC (Small Studs)
<b>Intermittent Rating</b>	1000A for 15secs intervals
<b>Insulation Resistance</b>	DC 500V 100M ohm Min
<b>Dielectric Strength</b>	AC 1000V 1 minute
<b>Operation Temperature</b>	-40°C~85°C

Material Specifications

Zinc diecast construction
Sealed with O-rings at base and mounting stem
Copper, Silver plated terminals

**Rev      Date of issue      Revision Notes**

**Designed      Approved**

A	11-21-2019	Initial Drawing	RC	OF
---	------------	-----------------	----	----