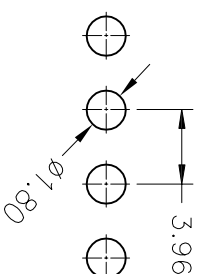
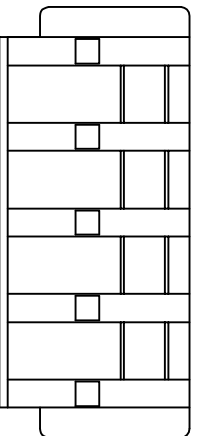
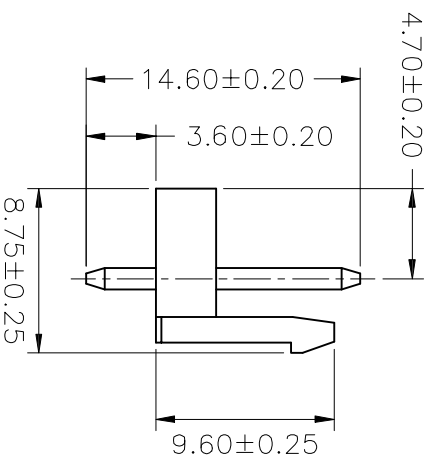
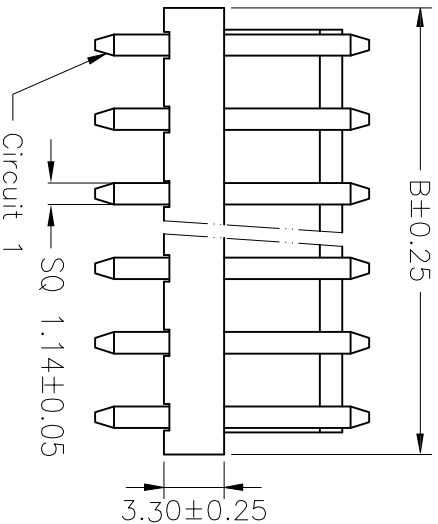
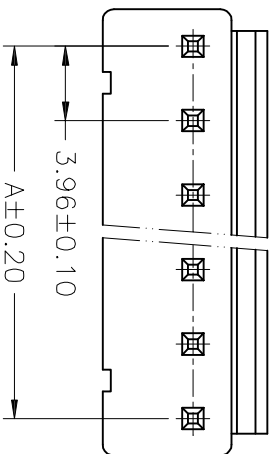
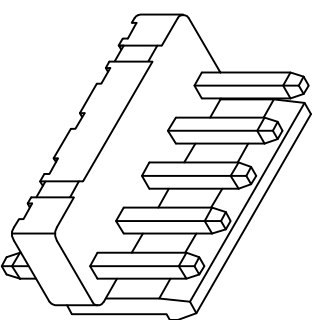


| REV | LOCALS | DESCRIPTION | DRAW | DATE       |
|-----|--------|-------------|------|------------|
| A0  | NEW    | PERLUMINARY | Andy | 2017.03.29 |
| A1  |        | UPDATED     | LIU  | 2019.04.02 |
| A2  |        | UPDATED     | Andy | 2022.11.09 |

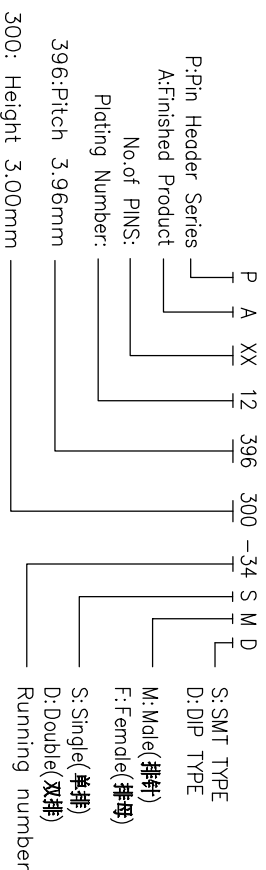


RECOMMEND P.C.B LAYOUT  
PCB TOLERANCE: ±0.05 (TOP VIEW)

- NOTES:
- Material: Housing: PA 66, Colour, White, UL94V-0
  - Terminid: Brass.
  - Finish: Terminid: Plated Tin
  - Specification:
    - Current Rating : 7A AC/DC
    - Current Voltage: 250V
    - Contact resistance: 10mΩ Max.
    - Insulation Resistance: 1000MΩ MIN.
    - Dielectric withstanding voltage: 1500V AC for one minute.
    - Operating Temperature: -25°C ~ +85°C;



Ordering Information



| Part No. | Dimension(mm)      | A     | B     |
|----------|--------------------|-------|-------|
| 15       | PA1512396300-34SMD | 55.44 | 59.40 |
| 14       | PA1412396300-34SMD | 51.48 | 55.44 |
| 13       | PA1312396300-34SMD | 47.52 | 51.48 |
| 12       | PA1212396300-34SMD | 43.56 | 47.52 |
| 11       | PA1112396300-34SMD | 39.60 | 43.56 |
| 10       | PA1012396300-34SMD | 35.64 | 39.60 |
| 9        | PA0912396300-34SMD | 31.68 | 35.64 |
| 8        | PA0812396300-34SMD | 27.72 | 31.68 |
| 7        | PA0712396300-34SMD | 23.76 | 27.72 |
| 6        | PA0612396300-34SMD | 19.80 | 23.76 |
| 5        | PA0512396300-34SMD | 15.84 | 19.80 |
| 4        | PA0412396300-34SMD | 11.88 | 15.84 |
| 3        | PA0312396300-34SMD | 7.92  | 11.88 |
| 2        | PA0212396300-34SMD | 3.96  | 7.92  |



Dongguan D-CHAIN Precision Components CO, Ltd

MEASURE POINT:  
QUADRANT POINT  
TANGENCY POINT  
INTERSECTION POINT

UNLESS OTHERWISE SPECIFIED, TOLERANCE:  
X ±0.25  
XX ±0.20  
XXX ±0.15  
ANGULAR ±5°

| DRAWN       | Andy               | DATE  | 2017.03.29 | TITLE: | 3.96Pitch 直针座 |
|-------------|--------------------|-------|------------|--------|---------------|
| CHECKED     |                    | DATE  |            |        |               |
| APPROVED    |                    | DATE  |            |        |               |
| PART No.    | PAXX12396300-34SMD | REV:  | A2         | SCALE: | 1:1           |
| DRAWING No. |                    | SIZE: | A4         | SHEET: | 1/1           |

1 2 3 4 5 6 7