



SuperTan[®] Wet Tantalum Capacitors With Hermetic Seal, Extended Range



LINKS TO ADDITIONAL RESOURCES



PERFORMANCE CHARACTERISTICS

Operating Temperature: -55 °C to +85 °C
(to +125 °C with voltage derating)

Capacitance Tolerance: at 120 Hz, +25 °C.
± 20 % standard. ± 10 % available as special.

DC Leakage Current (DCL Max.): at +25 °C and above:
leakage current shall not exceed the values listed in the Standard Ratings tables.

Life Test: capacitors are capable of withstanding a 2000 h life test at a temperature of +85 °C at the applicable rated DC working voltage.

FEATURES

Vishay SuperTan[®] Extended (STE) represents a major breakthrough in wet tantalum capacitor technology. Its unique cathode system, also used in the ST, provides the highest capacitance per unit volume available. The STE combines the inherent reliability of wet tantalum with the capacitance stability of solid tantalum, and there are no circuit impedance restrictions. The range is exceptionally well suited for low voltage filtering and energy storage applications. Ideal for designs targeting the military and aerospace industry.



The SuperTan[®] Extended (STE) is housed in an all tantalum, hermetically sealed case and is manufactured to withstand high stress and hazardous environments.

- Axial through-hole terminations: standard tin / lead (Sn / Pb), 100 % tin (RoHS-compliant) available
- Material categorization: for definitions of compliance please see www.vishay.com/doc?99912

Note

* This datasheet provides information about parts that are RoHS-compliant and / or parts that are non RoHS-compliant. For example, parts with lead (Pb) terminations are not RoHS-compliant. Please see the information / tables in this datasheet for details

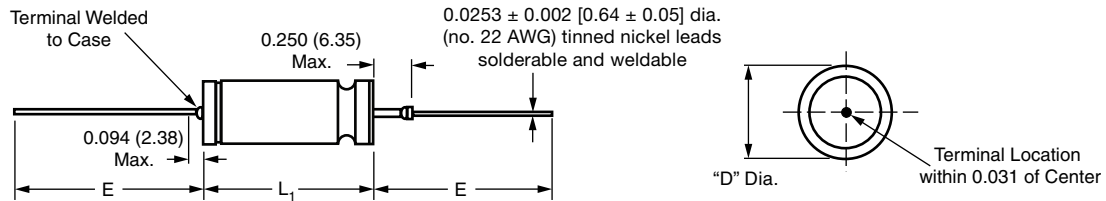
ORDERING INFORMATION						
STE	6000	16	T4	M	I ⁽¹⁾	E3 ⁽²⁾
TYPE	CAPACITANCE μF	DC VOLTAGE RATING AT +85 °C	CASE CODE	CAPACITANCE TOLERANCE	INSULATING SLEEVE	TERMINATION AND PACKAGING
				M = ± 20 % K = ± 10 %	I = insulated X = uninsulated	E3 = 100 % tin termination (RoHS-compliant) Blank = SnPb termination (standard design) J = SMD, outside bend, tin / lead K = SMD, outside bend, 100 % tin L = SMD, inside bend, tin / lead M = SMD, inside bend, 100 % tin

Notes

- Packaging: The use of formed plastic trays for packing bulk components is standard. Tape and reel cannot be used due to unit weight
- (1) Sleeve on J, K, L, M terminations shall be Kapton only
- (2) J, K, L, M are available in T4. For all other case sizes, check with marketing



AXIAL PRODUCT DIMENSIONS in inches [millimeters]



CASE CODE	D ± 0.016 [0.41]	MAX. INSULATED (DIA.)	L ₁ + 0.031 / - 0.016 [+ 0.79 / - 0.41] UNINSULATED	E ± 0.250 [6.35] MAX.
T1	0.188 [4.78]	0.219 [5.56]	0.453 [11.51]	1.500 [38.10]
T2	0.281 [7.14]	0.312 [7.92]	0.641 [16.28]	2.250 [57.15]
T3	0.375 [9.52]	0.406 [10.31]	0.766 [19.46]	2.250 [57.15]
T4	0.375 [9.52]	0.406 [10.31]	1.062 [26.97]	2.250 [57.15]

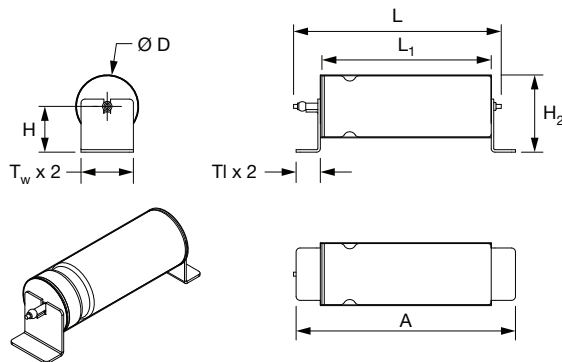
Notes

- Material at egress is tantalum
- Insulation sleeving will lap over the ends of the capacitor case
- Approx. weight:
T1: 2.3 g, T2: 5.7 g
T3: 9.4 g, T4: 14.8 g

SMD PRODUCT DIMENSIONS in inches [millimeters]

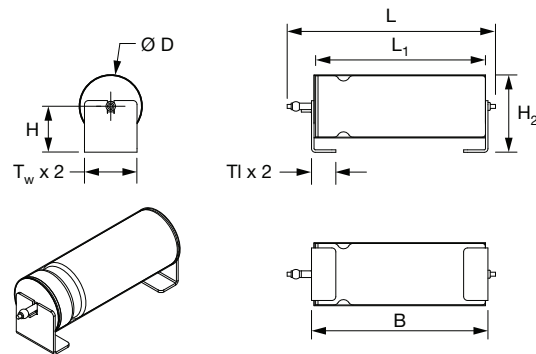
Styles J, K

Term. code	Solder type
J	SnPb
K	100 % tin (RoHS-compliant)



Styles L, M

Term. code	Solder type
L	SnPb
M	100 % tin (RoHS-compliant)



CASE CODE		A (max.)	B (max.)	T _I (max.)	H (max.)	T _w ± 0.005	H ₂ (max.)	L (max.)	L ₁	D (max.)
TYPE	STE									
D	T4	1.432 [36.4]	1.140 [29.0]	0.157 [4.0]	0.295 [7.5]	0.331 [8.4]	0.492 [12.5]	1.343 [34.1]	1.062 + 0.031 / - 0.016 [26.97 + 0.79 / - 0.41]	0.397 [10.1]



RATINGS AND CASE CODES										
μF	10 V	16 V	25 V	30 V	35 V	50 V	60 V	75 V	100 V	125 V
18										T1 (1)
22									T1	
56								T1		T2 (1)
68							T1			
86									T2 (1)	
110						T1				
150										T3 (1)
180					T1 (1)			T2		
220				T1 (1)			T2		T3	T4
240										T4
270			T1 (1)							
300									T4	
400									T4	
430		T1 (1)								
470						T2		T3	T4	
520						T2				
560							T3			
600						T2				
680	T1 (1)				T2					
750						T4	T4	T4		
820				T2						
900						T3				
950						T3				
1000			T2 (1)			T4	T4			
1200		T2 (1)				T4	T4	T4		
1500					T3 (1)	T3 / T4				
1800				T3 (1)			T4			
2000	T2 (1)									
2200			T3 (1)			T4				
2800					T4					
3300		T3		T4						
4000			T4							
4700	T3									
6000		T4								
10 000	T4									

Note

(1) Preliminary rating. Contact marketing for availability



STANDARD RATINGS													
CAPACITANCE (μ F)	VOLTAGE	CASE CODE	PART NUMBER ⁽¹⁾	MAX. ESR AT	TYP. ESR AT	MAX. DCL AT		MAX. CAPACITANCE CHANGE AT			MAX. IMP. AT	AC RIPPLE	
				+25 °C 120 Hz (Ω)	+25 °C 1 kHz (Ω)	+25 °C (μ A)	+85 °C / +125 °C (μ A)	-55 °C (%)	+85 °C (%)	+125 °C (%)	-55 °C 120 Hz (Ω)	85 °C 40 kHz mA RMS	
10 V_{DC} AT +85 °C; 7 V_{DC} AT +125 °C													
680	10	T1		<i>Preliminary value, contact marketing</i>									
2000	10	T2		<i>Preliminary value, contact marketing</i>									
4700	10	T3	STE4700-10T3MI	0.35	< 0.200	16	100	-80	10	20	3.50	4000	
10 000	10	T4	STE10000-10T4MI	0.25	< 0.100	25	150	-85	20	35	3.00	5000	
16 V_{DC} AT +85 °C; 11 V_{DC} AT +125 °C													
430	16	T1		<i>Preliminary value, contact marketing</i>									
1200	16	T2		<i>Preliminary value, contact marketing</i>									
3300	16	T3	STE3300-16T3MI	0.35	< 0.200	16	100	-80	10	15	3.50	4000	
6000	16	T4	STE6000-16T4MI	0.30	< 0.150	25	150	-80	15	20	3.00	4500	
25 V_{DC} AT +85 °C; 15 V_{DC} AT +125 °C													
270	25	T1		<i>Preliminary value, contact marketing</i>									
1000	25	T2		<i>Preliminary value, contact marketing</i>									
2200	25	T3		<i>Preliminary value, contact marketing</i>									
4000	25	T4	STE4000-25T4MI	0.35	< 0.150	25	125	-80	15	20	5.00	4250	
30 V_{DC} AT +85 °C; 20 V_{DC} AT +125 °C													
220	30	T1		<i>Preliminary value, contact marketing</i>									
820	30	T2	STE820-30T2MI	1.00	< 0.600	3.5	18	-75	12	20	20.00	1650	
1800	30	T3		<i>Preliminary value, contact marketing</i>									
3300	30	T4	STE3300-30T4MI	0.35	< 0.200	25	125	-80	20	25	4.00	2750	
35 V_{DC} AT +85 °C; 22 V_{DC} AT +125 °C													
180	35	T1		<i>Preliminary value, contact marketing</i>									
680	35	T2	STE680-35T2MI	0.95	< 0.500	5	25	-75	16	20	16.00	2500	
1500	35	T3		<i>Preliminary value, contact marketing</i>									
2800	35	T4	STE2800-35T4MI	0.35	< 0.200	25	125	-80	20	30	4.50	4000	
50 V_{DC} AT +85 °C; 30 V_{DC} AT +125 °C													
110	50	T1	STE110-50T1MI	1.60	< 1.000	2	7.5	-40	10	15	40.00	1500	
470	50	T2	STE470-50T2MI	0.90	< 0.600	5	50	-60	8	12	12.00	2000	
520	50	T2	STE520-50T2MI	1.00	< 0.600	3	15	-80	12	18	20.00	1700	
600	50	T2	STE600-50T2MI	1.00	< 0.600	5	25	-80	12	18	20.00	1700	
750	50	T4	STE750-50T4MI	0.50	< 0.400	20	120	-35	10	15	6.50	3500	
900	50	T3	STE900-50T3MI	0.90	< 0.300	15	125	-75	20	20	10.00	2500	
950	50	T3	STE950-50T3MI	0.90	< 0.300	15	125	-75	20	20	10.00	2500	
1000	50	T4	STE1000-50T4MI	0.50	< 0.300	20	120	-40	10	15	5.50	3500	
1200	50	T4	STE1200-50T4MI	0.80	< 0.350	25	250	-75	25	35	8.00	2750	
1500	50	T3	STE1500-50T3MI	1.00	< 0.300	25	130	-85	25	30	8.00	2400	
1500	50	T4	STE1500-50T4MI	0.40	< 0.215	15	110	-70	20	20	6.00	3500	
2200	50	T4	STE2200-50T4MI	0.60	< 0.400	25	125	-80	25	30	4.50	3000	

Note

⁽¹⁾ Part numbers shown are for units with ± 20 % capacitance tolerance and insulated capacitors.
 For units with ± 10 % capacitance tolerance change the letter "M" to "K".
 For units without insulation, substitute "X" for "I"



STANDARD RATINGS												
CAPACITANCE (μ F)	VOLTAGE	CASE CODE	PART NUMBER ⁽¹⁾	MAX. ESR AT	TYP. ESR AT	MAX. DCL AT		MAX. CAPACITANCE CHANGE AT			MAX. IMP. AT	AC RIPPLE
				+25 °C 120 Hz (Ω)	+25 °C 1 kHz (Ω)	+25 °C (μ A)	+85 °C / +125 °C (μ A)	-55 °C (%)	+85 °C (%)	+125 °C (%)	-55 °C 120 Hz (Ω)	85 °C 40 kHz mA RMS
60 V_{DC} AT +85 °C; 40 V_{DC} AT +125 °C												
68	60	T1	STE68-60T1MI	1.50	< 0.600	1.5	7.5	-30	10	12	40.00	1400
220	60	T2	STE220-60T2MI	0.90	< 0.400	3	30	-45	10	15	16.00	2000
560	60	T3	STE560-60T3MI	0.90	< 0.300	20	120	-70	12	15	10.00	2500
750	60	T4	STE750-60T4MI	0.50	< 0.400	20	120	-35	10	15	6.50	3500
1000	60	T4	STE1000-60T4MI	0.50	< 0.300	20	120	-40	10	15	5.50	3500
1200	60	T4	STE1200-60T4MI	0.50	< 0.300	20	200	-70	15	20	6.00	3500
1800	60	T4	STE1800-60T4MI	0.50	< 0.300	25	250	-75	25	25	6.00	3000
75 V_{DC} AT +85 °C; 50 V_{DC} AT +125 °C												
56	75	T1	STE56-75T1MI	1.60	< 0.800	1.5	7.5	-30	8	10	40.00	1750
180	75	T2	STE180-75T2MI	1.50	< 0.500	5	25	-35	15	20	30.00	2000
470	75	T3	STE470-75T3MI	0.60	< 0.325	25	100	-45	10	25	10.00	3000
750	75	T4	STE750-75T4MI	0.50	< 0.400	20	120	-35	10	15	6.50	3500
1200	75	T4	STE1200-75T4MI	0.80	< 0.350	25	250	-75	25	35	8.00	2750
100 V_{DC} AT +85 °C; 65 V_{DC} AT +125 °C												
22	100	T1	STE22-100T1MI	3.00	< 1.500	1	5	-15	4	10	100.00	1200
86	100	T2	<i>Preliminary value, contact marketing</i>									
220	100	T3	STE220-100T3MI	1.40	< 0.200	5	25	-55	10	15	18.00	2500
300	100	T4	STE300-100T4MI	0.70	< 0.400	10	120	-40	6	12	15.00	3000
400	100	T4	STE400-100T4MI	0.70	< 0.400	10	120	-40	6	12	15.00	3000
470	100	T4	STE470-100T4MI	0.70	< 0.450	25	250	-50	10	25	15.00	3000
125 V_{DC} AT +85 °C; 85 V_{DC} AT +125 °C												
18	125	T1	<i>Preliminary value, contact marketing</i>									
56	125	T2	<i>Preliminary value, contact marketing</i>									
150	125	T3	<i>Preliminary value, contact marketing</i>									
220	125	T4	STE220-125T4MI	0.80	< 0.600	15	150	-35	6	12	20.00	2500
240	125	T4	STE240-125T4MI	0.80	< 0.600	15	150	-35	6	12	20.00	2500

Note

⁽¹⁾ Part numbers shown are for units with ± 20 % capacitance tolerance and insulated capacitors.
 For units with ± 10 % capacitance tolerance change the letter "M" to "K".
 For units without insulation, substitute "X" for "I"



TYPICAL PERFORMANCE CHARACTERISTICS OF STE CAPACITORS

ELECTRICAL CHARACTERISTICS	
ITEM	PERFORMANCE CHARACTERISTICS
Operating temperature range	-55 °C to +85 °C (to +125 °C with voltage derating)
Capacitor tolerance	± 20 %, ± 10 % at 120 Hz, at +25 °C
Capacitor change by temperature	Limit per Standard Ratings table
ESR	Limit per Standard Ratings table, at +25 °C, 120 Hz
Impedance	Limit per Standard Ratings table, at -55 °C, 120 Hz
DCL (leakage current)	Limit per Standard Ratings table
AC ripple current	Limit per Standard Ratings table, at +85 °C and 40 kHz
Reverse voltage	There shall be no continuous reverse voltage. Transient reverse voltage surges are acceptable under the following conditions: a) The peak reverse voltage is equal to or less than 1.5 V and the product of the peak current times the duration of the reverse transient is 0.05 As or less b) The repetition rate of the reverse voltage surges is less than 10 Hz
Surge voltage	Surge voltage shall be in accordance with MIL-PRF-39006 and Table I of DLA 10004. The DC rated surge voltage is the maximum voltage to which the capacitors can be subjected under any conditions including transients and peak ripple at the highest line voltage. The DC surge voltage is 115 % of rated DC voltage.

PERFORMANCE CHARACTERISTICS	
ITEM	PERFORMANCE CHARACTERISTICS
Life testing	Capacitors shall be capable of withstanding a 2000 h life test at a temperature +85 °C at rated voltage, or a 2000 h life test at 125 °C test at derated voltage. After the test, the capacitors shall meet the following requirements: a) DC leakage at 85 °C and 125 °C shall not exceed 125 % of the specified value b) DC leakage at 25 °C shall not exceed the specified value c) Capacitance shall be within +10 %, -20 % of initial value d) ESR shall not exceed 200 % of the specified value

ENVIRONMENTAL CHARACTERISTICS		
ITEM	CONDITION	COMMENTS
Seal	MIL-PRF-39006	When the capacitors are tested as specified in MIL-PRF-39006, there shall be no evidence of leakage.
Moisture resistance	MIL-PRF-39006	Moisture resistance shall be in accordance with MIL-PRF-39006. Number of cycles: 10 continuous cycles
Barometric pressure (reduced)	MIL-STD-202, method 105, condition E	Altitude 150 000 feet



MECHANICAL CHARACTERISTICS		
ITEM	CONDITION	COMMENTS
Shock (specified pulse)	MIL-STD-202, method 213, condition I (100 g)	The capacitors shall meet the requirements of MIL-PRF-39006.
Vibration, high frequency	MIL-STD-202, method 204, condition D (20 g peak)	The capacitors shall meet the requirements of MIL-PRF-39006.
Thermal shock	MIL-STD-202, method 107, condition A	Thermal shock shall be in accordance with MIL-PRF-39006 when tested for 30 cycles.
Solderability	MIL-STD-202, method 208, ANSI/J-STD-002, test A	Solderability shall be in accordance with MIL-PRF-39006.
Terminal strength	MIL-STD-202, method 211	Terminal strength shall be in accordance with MIL-PRF-39006.
Resistance to solder heat	MIL-STD-202, method 210, condition C	The capacitors shall meet the requirements of MIL-PRF-39006.
Terminals	MIL-STD-1276	Terminals shall be as specified in MIL-STD-1276. The length and diameter of the terminals shall be as specified in Dimensions table. All terminals shall be permanently secured internally and externally, as applicable. All external joints shall be welded.
Marking	MIL-STD-1285	Marking of capacitors conforms to method I of MIL-STD-1285 and include capacitance (in μF), capacitance tolerance letter, rated voltage, date code, lot symbol and Vishay trademark.

SELECTOR GUIDES	
Tantalum Selector Guide	www.vishay.com/doc?49054
Parameter Comparison Guide	www.vishay.com/doc?42088



Disclaimer

ALL PRODUCT, PRODUCT SPECIFICATIONS AND DATA ARE SUBJECT TO CHANGE WITHOUT NOTICE TO IMPROVE RELIABILITY, FUNCTION OR DESIGN OR OTHERWISE.

Vishay Intertechnology, Inc., its affiliates, agents, and employees, and all persons acting on its or their behalf (collectively, "Vishay"), disclaim any and all liability for any errors, inaccuracies or incompleteness contained in any datasheet or in any other disclosure relating to any product.

Vishay makes no warranty, representation or guarantee regarding the suitability of the products for any particular purpose or the continuing production of any product. To the maximum extent permitted by applicable law, Vishay disclaims (i) any and all liability arising out of the application or use of any product, (ii) any and all liability, including without limitation special, consequential or incidental damages, and (iii) any and all implied warranties, including warranties of fitness for particular purpose, non-infringement and merchantability.

Statements regarding the suitability of products for certain types of applications are based on Vishay's knowledge of typical requirements that are often placed on Vishay products in generic applications. Such statements are not binding statements about the suitability of products for a particular application. It is the customer's responsibility to validate that a particular product with the properties described in the product specification is suitable for use in a particular application. Parameters provided in datasheets and / or specifications may vary in different applications and performance may vary over time. All operating parameters, including typical parameters, must be validated for each customer application by the customer's technical experts. Product specifications do not expand or otherwise modify Vishay's terms and conditions of purchase, including but not limited to the warranty expressed therein.

Hyperlinks included in this datasheet may direct users to third-party websites. These links are provided as a convenience and for informational purposes only. Inclusion of these hyperlinks does not constitute an endorsement or an approval by Vishay of any of the products, services or opinions of the corporation, organization or individual associated with the third-party website. Vishay disclaims any and all liability and bears no responsibility for the accuracy, legality or content of the third-party website or for that of subsequent links.

Except as expressly indicated in writing, Vishay products are not designed for use in medical, life-saving, or life-sustaining applications or for any other application in which the failure of the Vishay product could result in personal injury or death. Customers using or selling Vishay products not expressly indicated for use in such applications do so at their own risk. Please contact authorized Vishay personnel to obtain written terms and conditions regarding products designed for such applications.

No license, express or implied, by estoppel or otherwise, to any intellectual property rights is granted by this document or by any conduct of Vishay. Product names and markings noted herein may be trademarks of their respective owners.