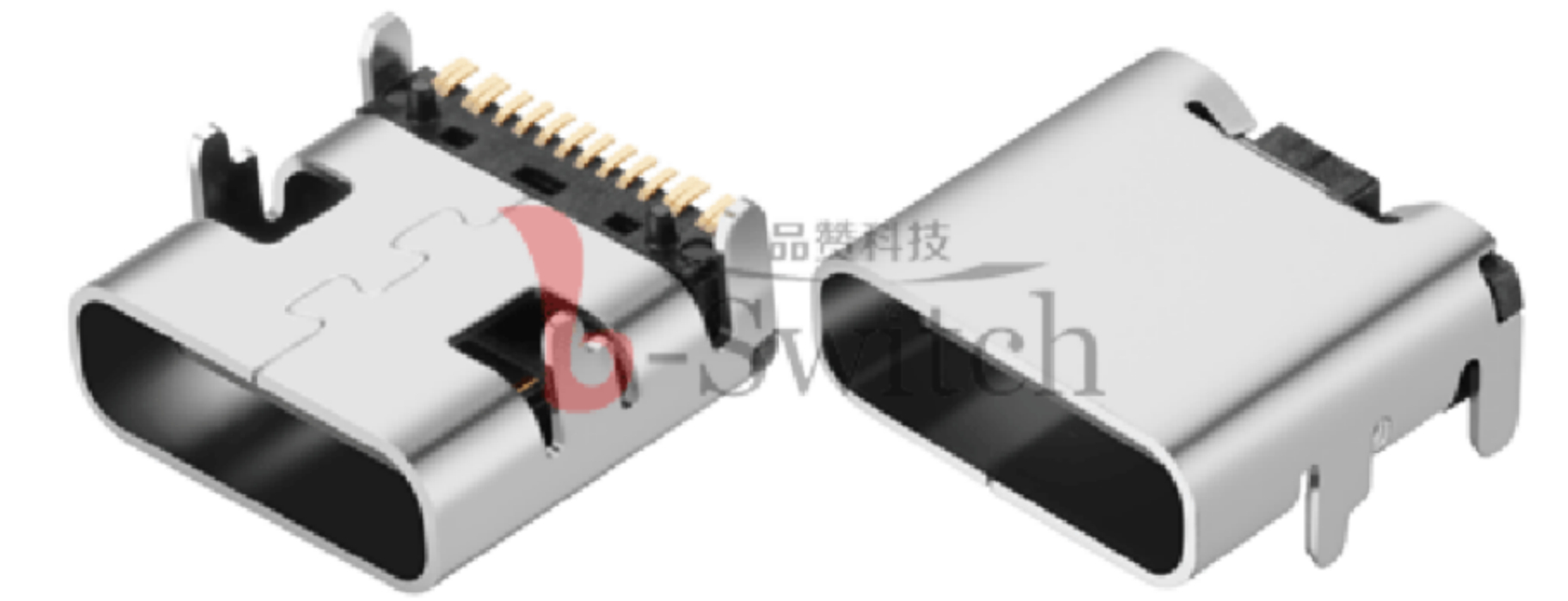
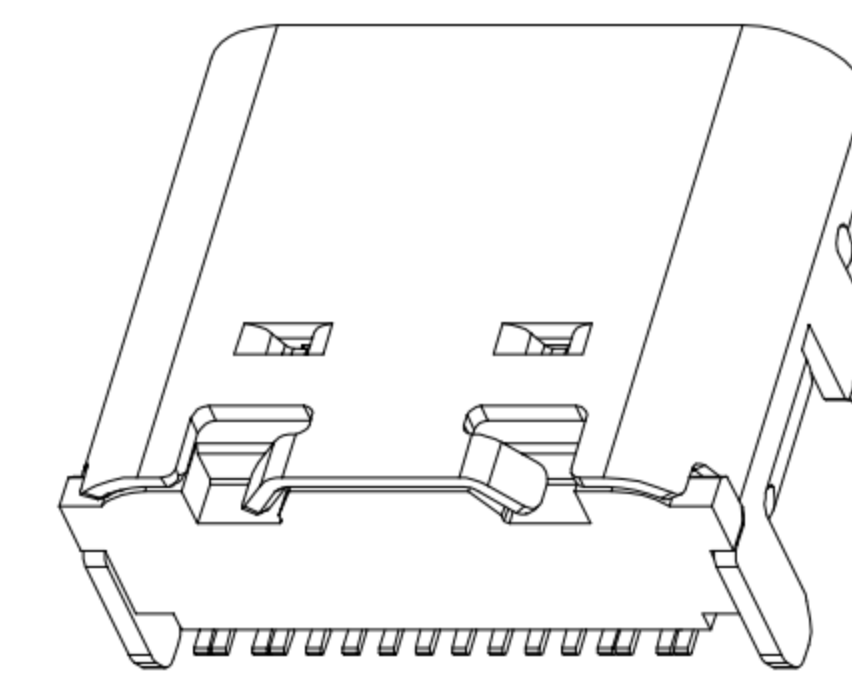
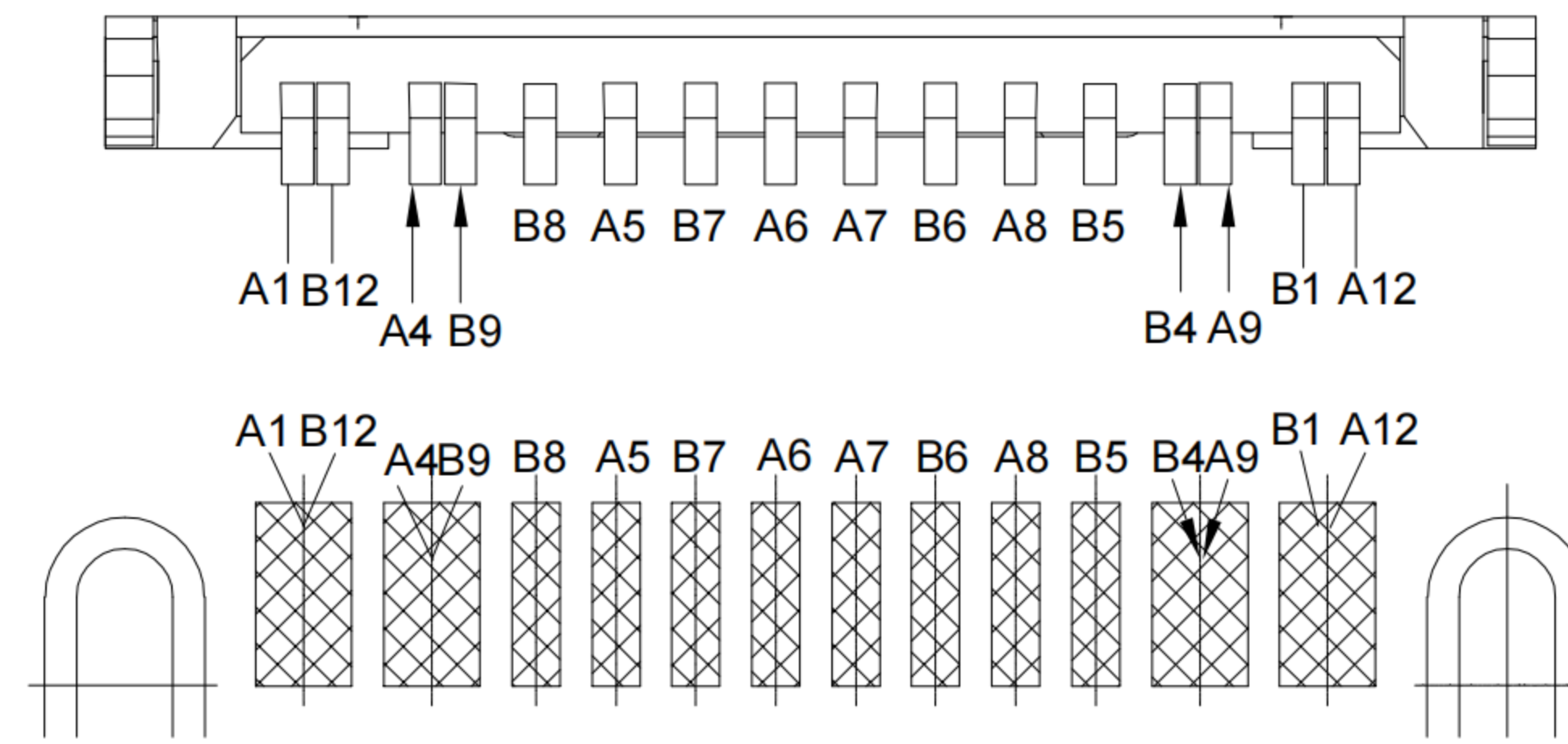
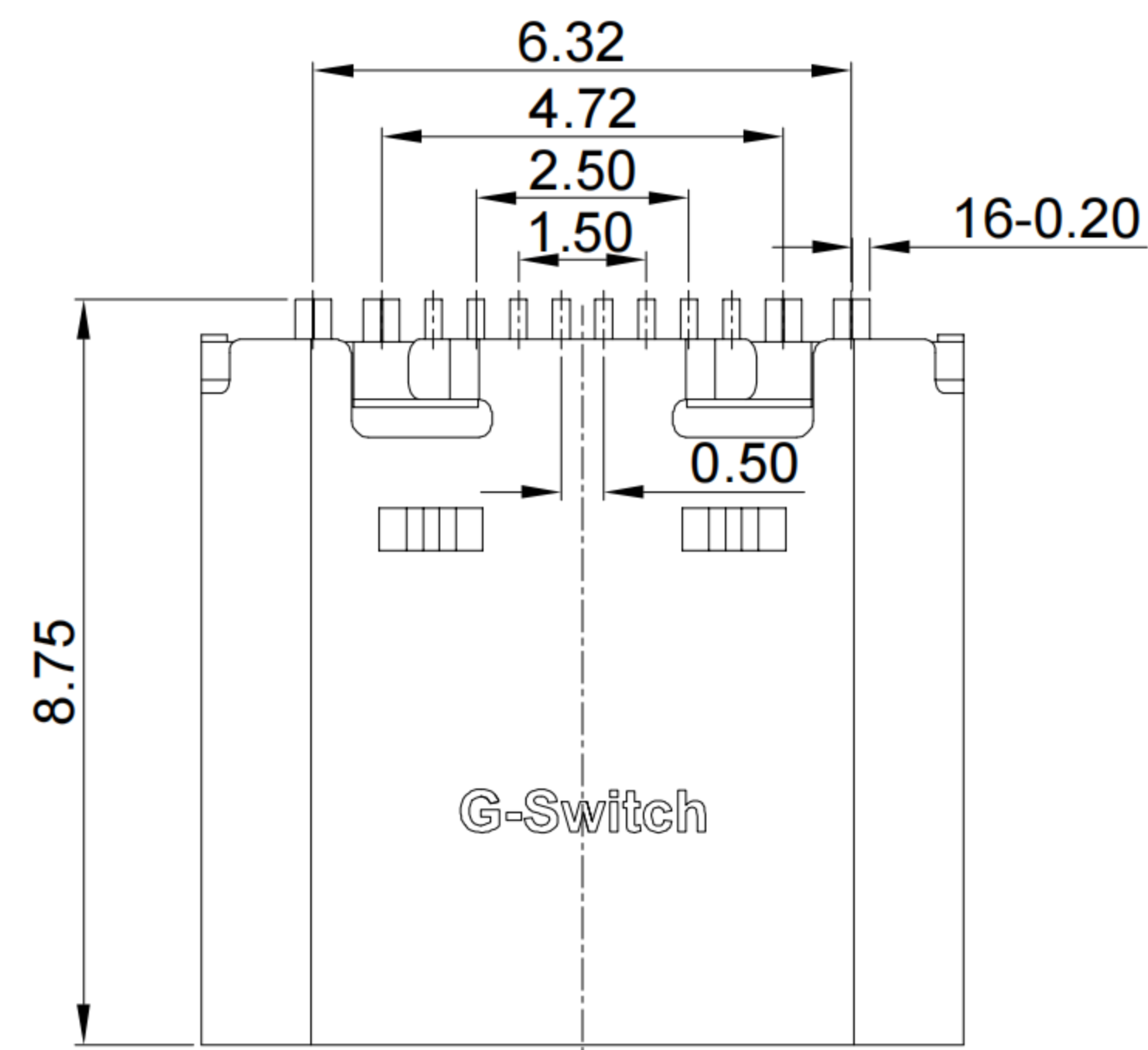
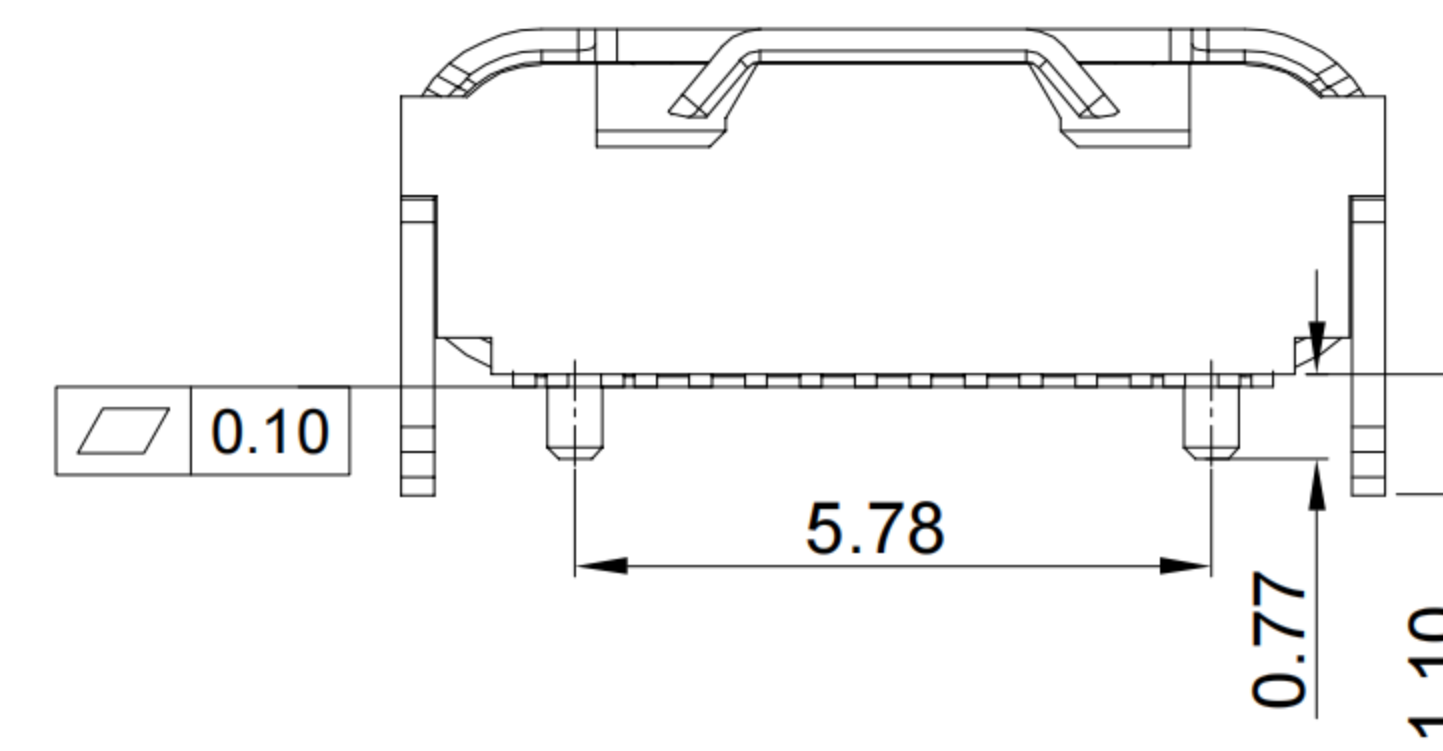
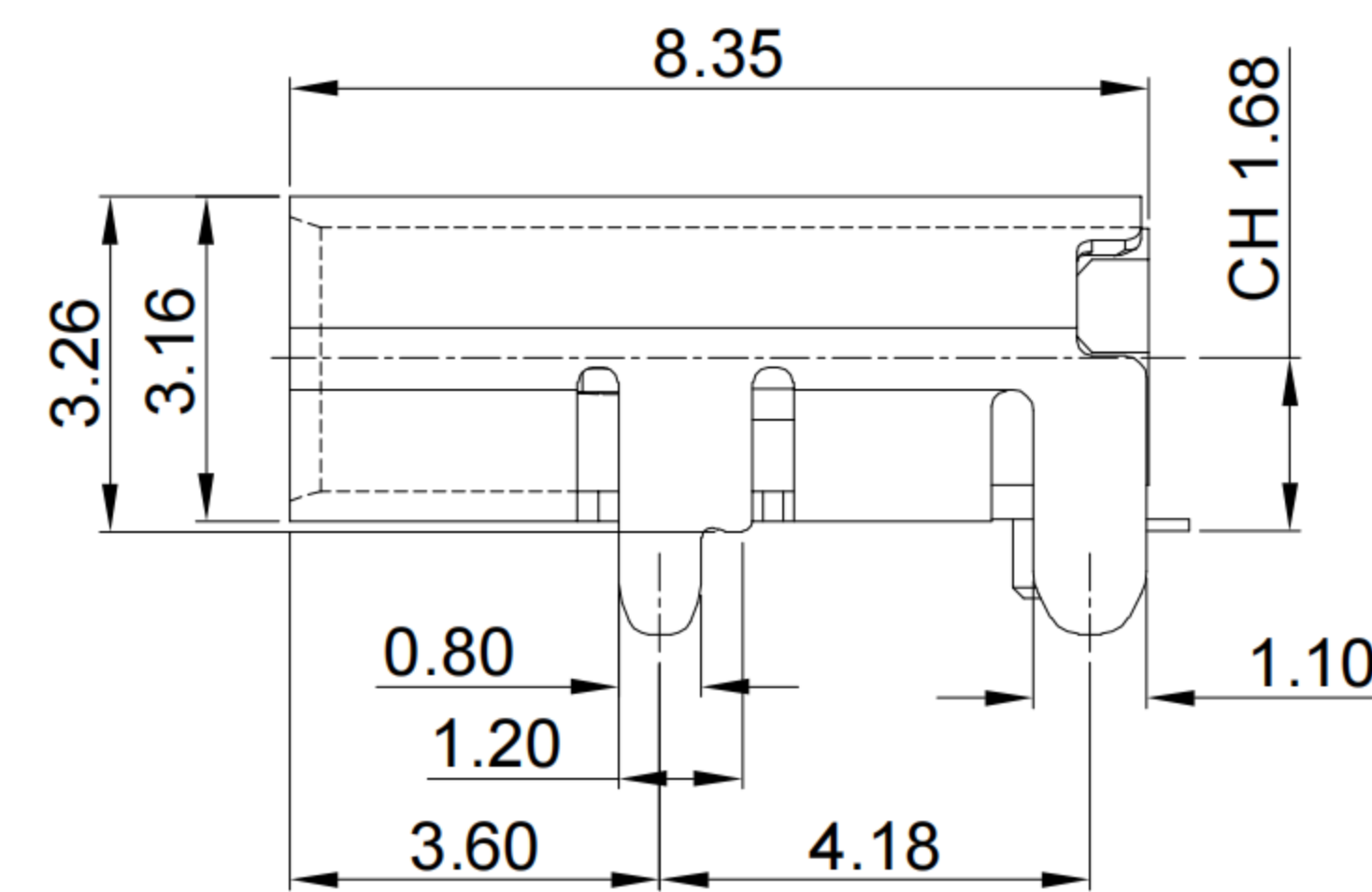
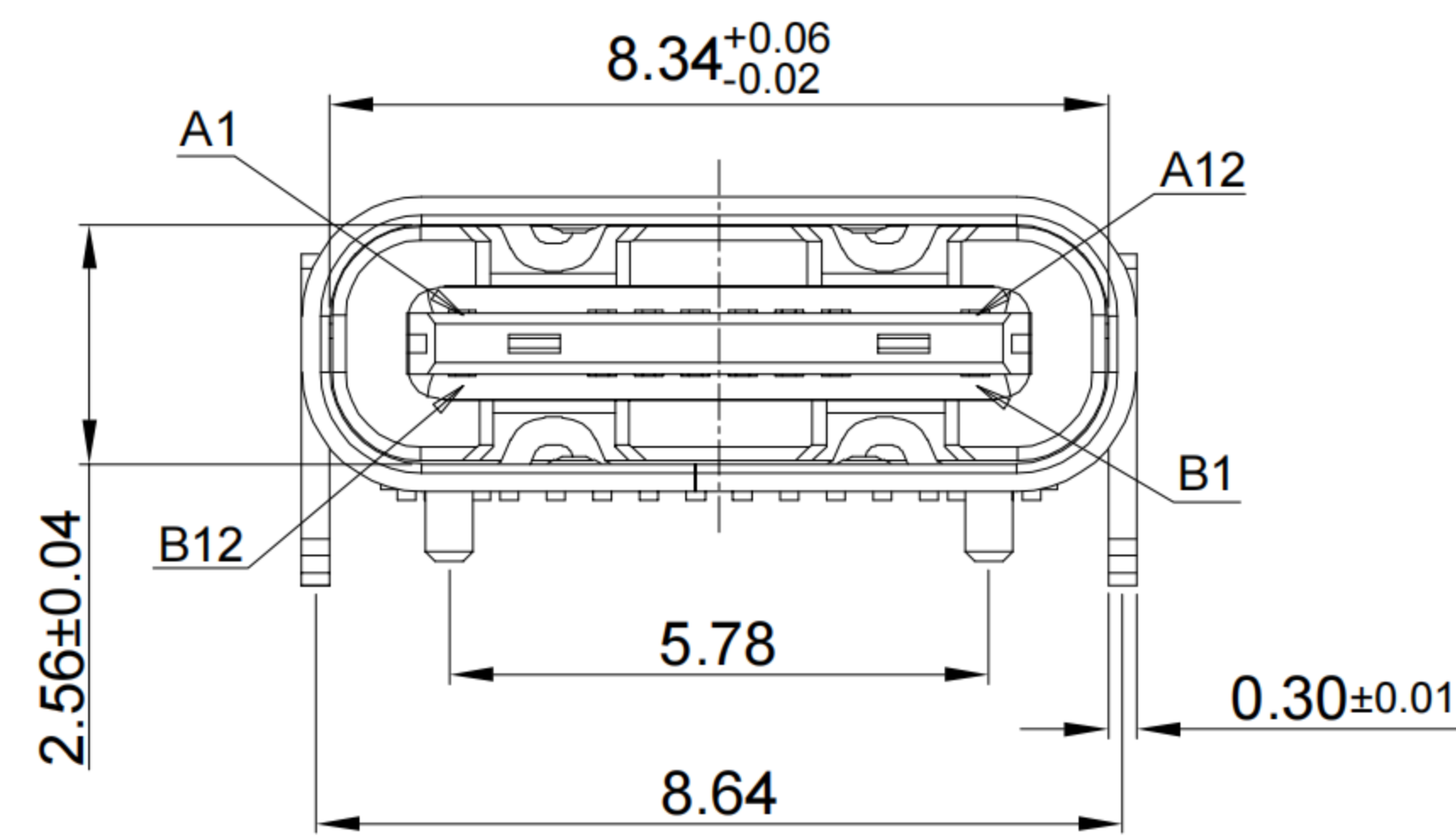


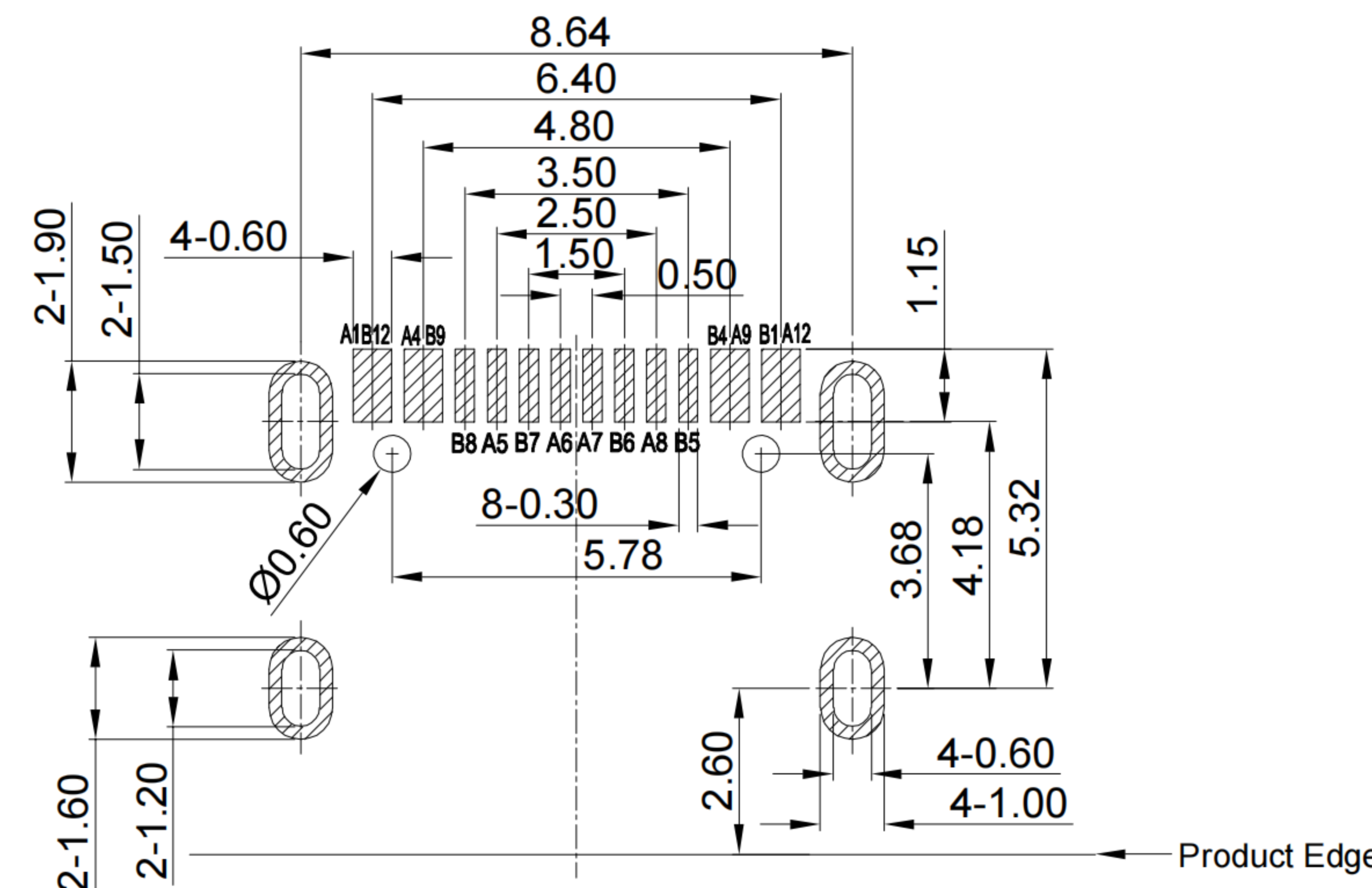
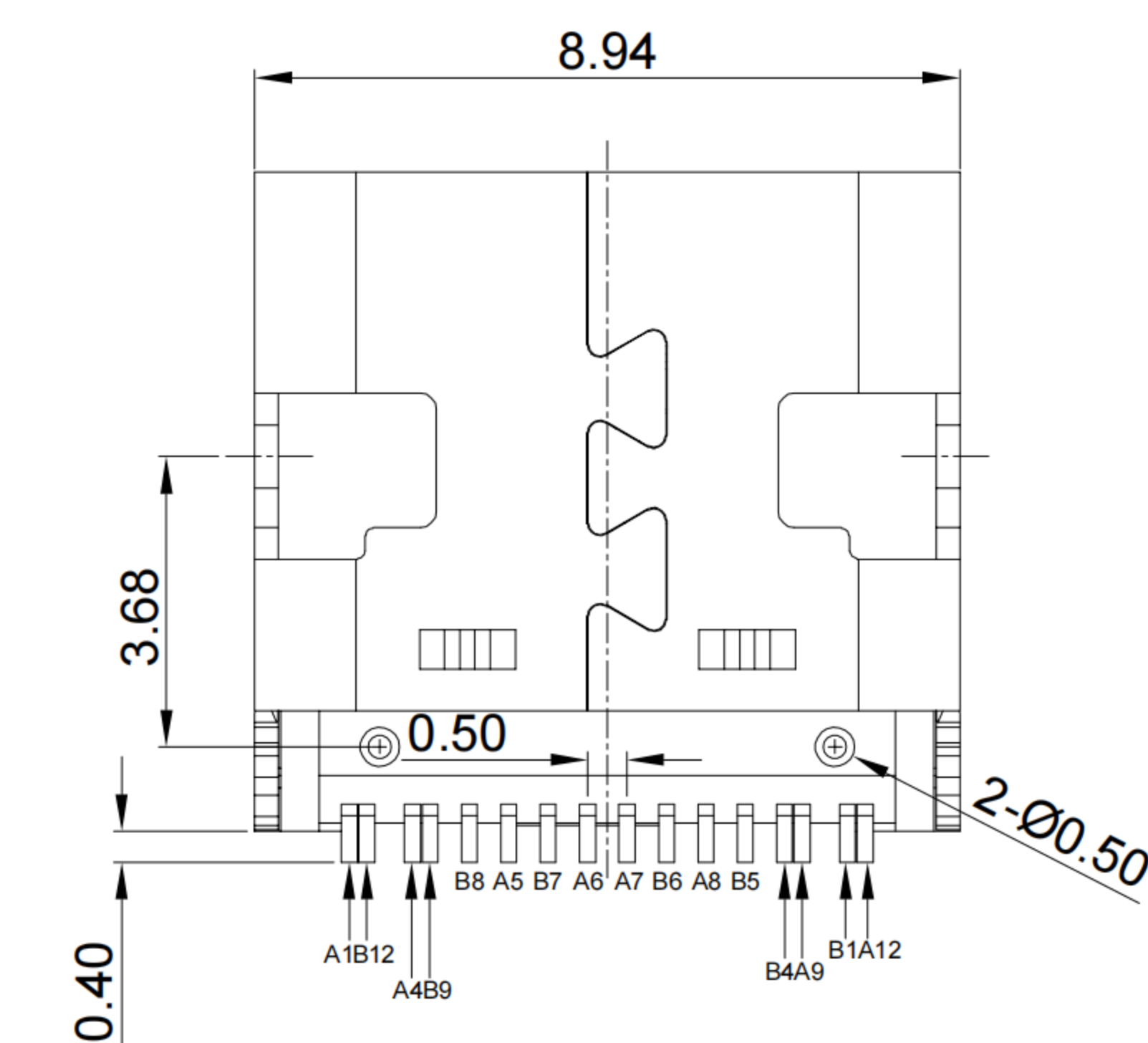
1



2



3



RECOMMENDED PCB LAYOUT
TOLERANCE: ±0.05

SCALE: 1:1 UNIT: mm
SIZE: A4

Title: Horizontal Type-c 16P Female
SMT CH=1.68 L=8.35mm Back plastic

Unless otherwise
General Tolerance:
X. ±0.20
X.x ±0.15
X.xx ±0.10
X.xxx ±0.05
Angles ±3°

Molde Code: GT-USB-7004N

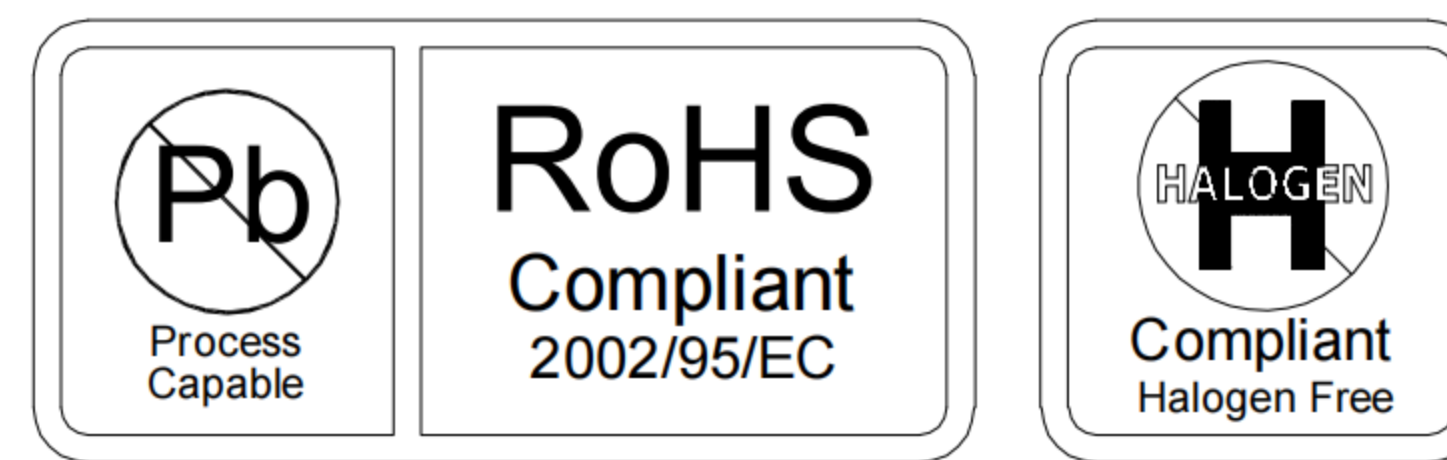
DRAWN	CHECKED	APPROVED	DATE
Xia	Chen	Chen	2023.02.01



REV: A0 SHEET: 1/1

5

1	SHELL	STAINLESS STEEL	NI PLATED
2	MID PLATE	STAINLESS STEEL	NI PLATED
3	HOUSING	HIGH TEMPERATURE PLASTIC	Black UL 94 V-0
4	TERMINALS	COPPER ALLOY	Au PLATING ON CONTACT AREA
NO.	PARTS	MATERIAL	REMARKS



A

B

C

D

E