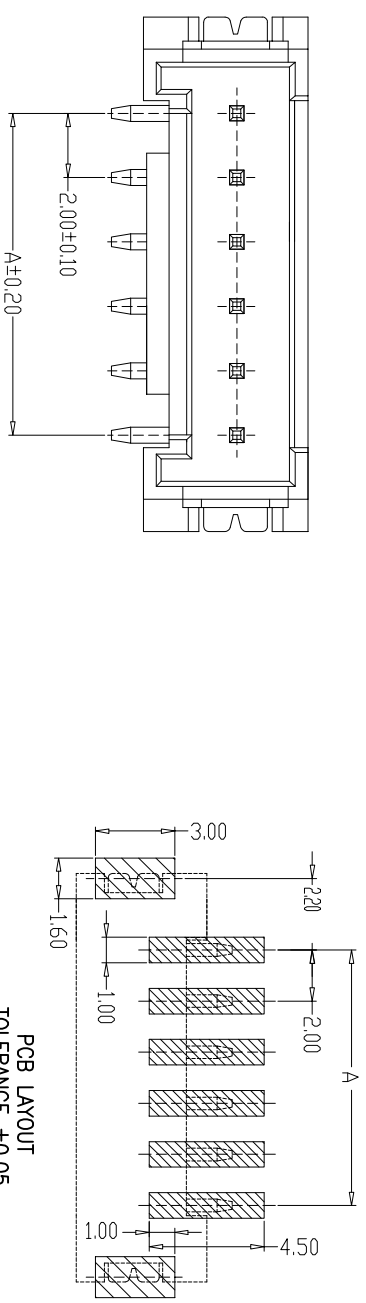
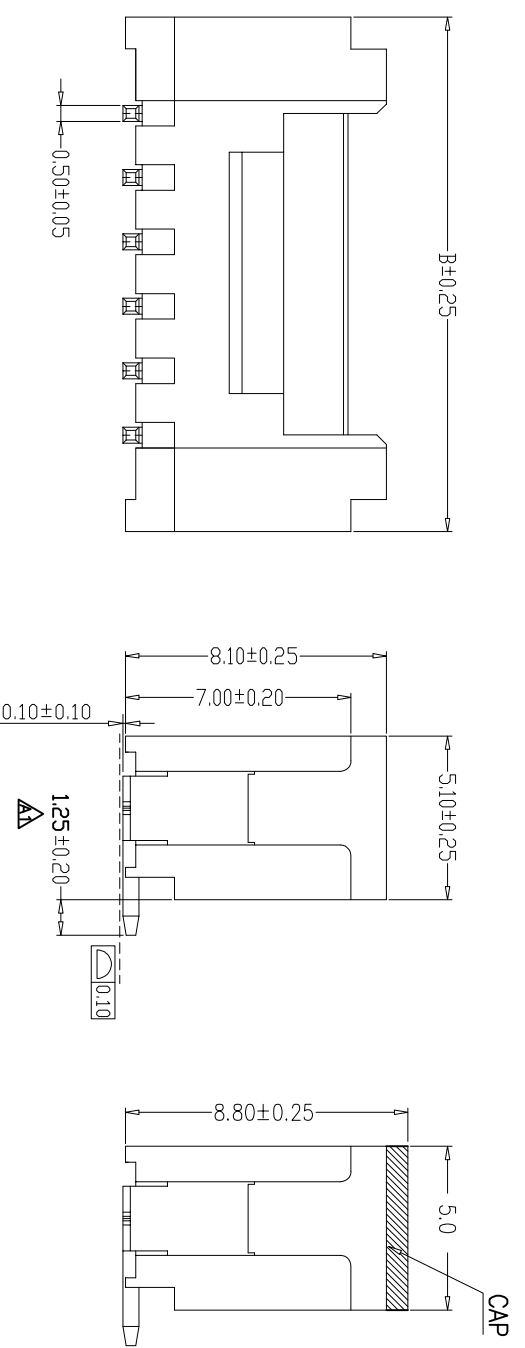


REV	LOCALS	DESCRIPTION	DRAW	DATE
A0	NEW	PERLIMINARY	Long	2018.05.26
A1	Δ	UPDATED	Andy	2022.09.29

SPECIFICATIONS

- 1、Current Rating: 2A AC, DC
- 2、Voltage Rating: 250V AC, DC
- 3、Temperature Range: -25°C~+85°C
- 4、Contact Resistance: 20mΩ Max
- 5、Insulation Resistance: 1000MΩ Min
- 6、Withstanding Voltage: 800V AC/minute
- 7、Material: Wafer LCP, UL94V-0
PIN Brass Tin-plated
Solder Phosphoric bronze Tin-plated



PIN Number	Dimension(mm)	
	A	B
2P	2.00	8.00
3P	4.00	10.00
4P	6.00	12.00
5P	8.00	14.00
6P	10.00	16.00
7P	12.00	18.00
8P	14.00	20.00
9P	16.00	22.00
10P	18.00	24.00
11P	20.00	26.00
12P	22.00	28.00
...
20P	38.00	44.00

Ordering Information

P A XX 12 200 810 -106 S M S

P:Pin Header Series
A:Finished Product
No. of PINS:
Plating Number:
200:Pitch:2.00mm
810:Height 8.10mm

S:SMT TYPE
D:DIP TYPE
M:Male(排针)
F:Femle(排母)
S:Single(单排)
D:Double(双排)
Running number

D-CHAIN
DONG GUAN D-CHAIN TECHNOLOGY CO.,LTD

MEASURE POINT:	QUADRANT POINT	TANGENCY POINT	INTERSECTION POINT
UNLESS OTHERWISE SPECIFIED,TOLERANCE:	X	Xx	Xxx
	±0.25	±0.20	±0.15
	±0.25	±0.15	±0.15
	±0.25	±0.15	±0.15

DRAWN	Long	DATE	2018.05.26
CHECKED		DATE	
APPROVED		DATE	

PART No. PAXX12200810-106SMS
DRAWING No.

REV: A1 SCALE: 1:1 UNIT: mm
SIZE: A4 SHEET: 1/1

TITLE: 2.00Pitch Wafer SMT TYPE