

Specification:
 Volatage Rating:250V AC/DC
 Current Rating :3A AC/DC
 Withstaning Voltage:800V AC/Minute
 Temperature Range:-40°~+125°
 Insulation Resistance:≥1000MΩ
 Contact Resistance:≤10MΩ

K 201900 H M - XX - N0
 ① ② ③ ④ ⑤ ⑥

- 1.K:XKBTEK-Car Connector
- 2.XKB Series No
- 3.Category:H-HSG
- 4.Special No:M-Male HSG
- 5.Row No.Pin No:02Pin~05Pin
- 6.Material:N0-PA66 UL94V-0

Poles	Dimensions(mm)			
	A	B	C	D
02	2.00	4.40	3.20	2.10
03	4.00	6.40	5.00	3.90
04	6.00	8.40	6.60	4.90
05	8.00	10.40	9.00	4.90

K201900HM-XX-N0	PA66	K201900TF	K201900HF	X2000W
PART NO	Material	Suitable XKB Terminal	Suitable XKB Housing	Suitable XKB Wafer

DSND	SCALE: N/A	MODEL TYPE: 2.0mm Automobile connector
DWN	VIEW:	PART NO.: K201900HM-XX-N0
CHKD	UNIT: mm/in	DWG NO.: X-K201900HM-XX-N0
APPD	SIZE: A4	WEIGHT SHEET REVISION
		1/1 A0

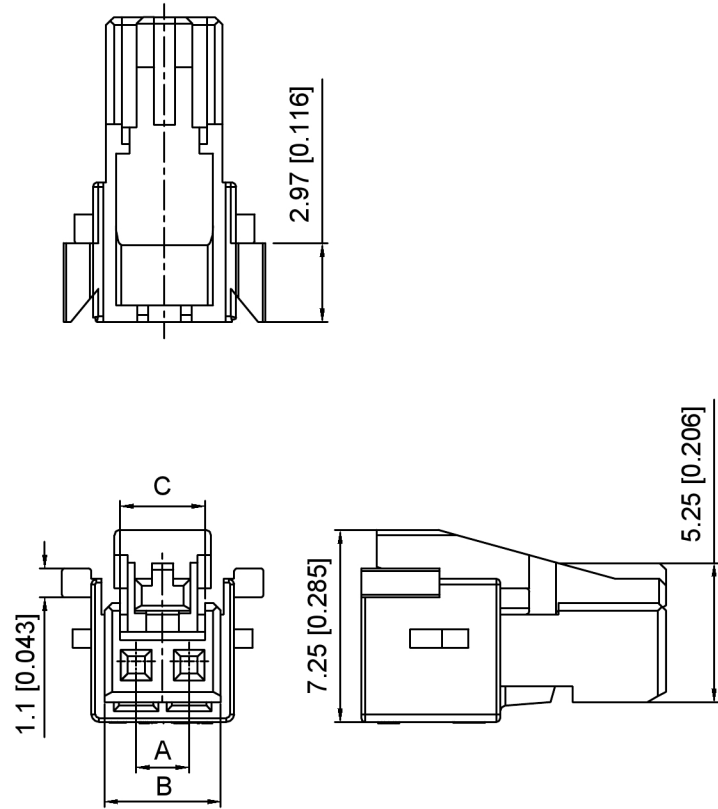


XKB INDUSTRIAL PRECISION CO., LIMITED

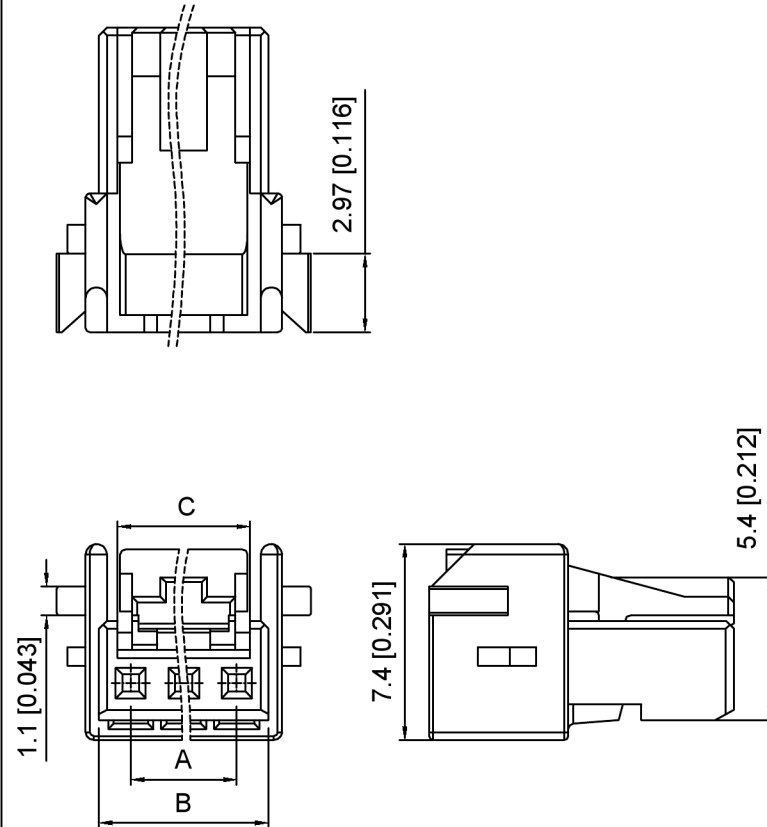
ANGLAR	±5°
L ≤ 4	±0.2
4 < L ≤ 16	±0.3
16 < L ≤ 63	±0.4
L > 63	±0.5
UNSPECIFIED TOLERANCES	

MARK	DESCRIPTION	DATE	REVISED	APPROVED
ΔX				
ΔX				
ΔX				

2 Pin



3~4 Pin

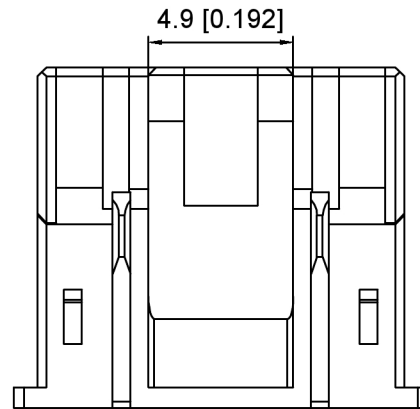
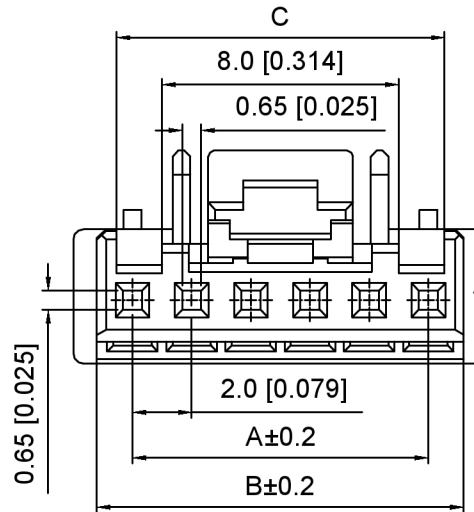
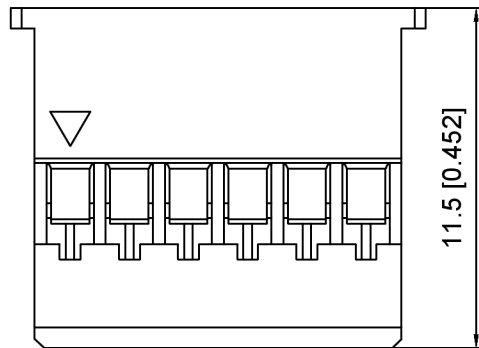
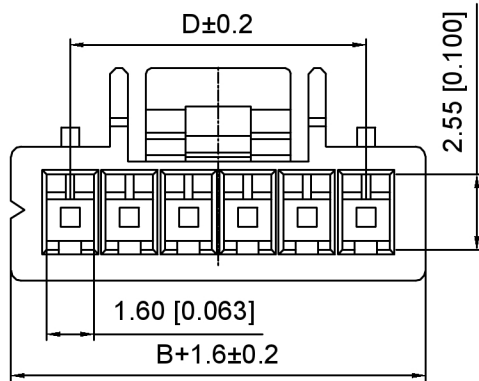
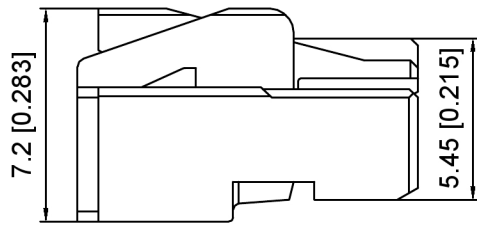


MARK	DESCRIPTION	DATE	REVISED	APPROVED	UNSPECIFIED TOLERANCES
ΔX					ANGULAR ±5°
ΔX					L ≤ 4 ±0.2
ΔX					4 < L ≤ 16 ±0.3
					16 < L ≤ 63 ±0.4
					L > 63 ±0.5
REVISIONS					
www.helloxkb.com www.helloxkb.cn www.xk-dg.cn					



XKB INDUSTRIAL PRECISION CO., LIMITED

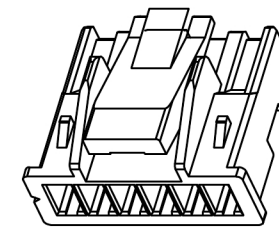
DSND	SCALE: N/A	MODEL TYPE: 2.0mm Automobile connector
DWN	VIEW:	PART NO.: K201900HM-XX-N0
CHKD	UNIT: mm/in	DWG NO.: X-K201900HM-XX-N0
APPD	SIZE: A4	
WEIGHT	SHEET	REVISION
	1/1	A0



Specification:
 Volatage Rating:250V AC/DC
 Current Rating :3A AC/DC
 Withstaning Voltage:800V AC/Minute
 Temperature Range:-40°~+125°
 Insulation Resistance:≥1000MΩ
 Contact Resistance:≤10MΩ

K 201900 H M - XX - N0
 ① ② ③ ④ ⑤ ⑥

- 1.K:XKBTEK-Car Connector
- 2.XKB Series No
- 3.Category:H-HSG
- 4.Special No:M-Male HSG
- 5.Row No.Pin No:06Pin~09Pin
- 6.Material:N0-PA66 UL94V-0



Poles	Dimensions(mm)			
	A	B	C	D
06	10.00	12.40	11.10	10.00
07	12.00	14.40	13.10	10.00
08	14.00	16.40	15.10	10.00
09	16.00	18.40	17.10	12.00

K201900HM-XX-N0	PA66	K201900TF	K201900HF	X2000W
PART NO	Material	Suitable XKB Terminal	Suitable XKB Housing	Suitable XKB Wafer

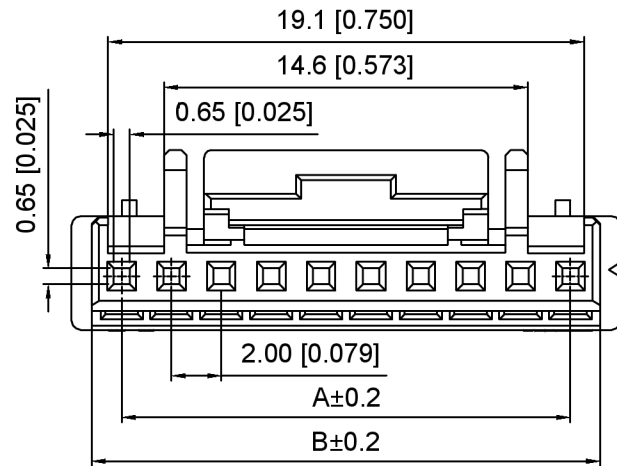
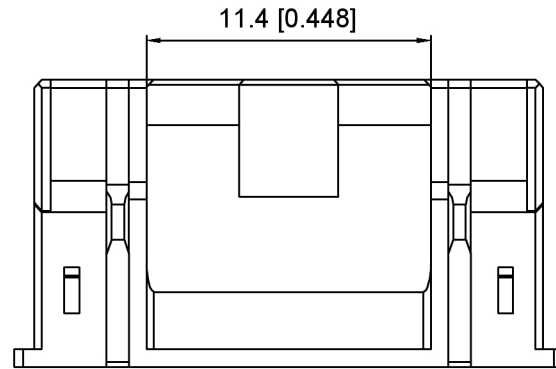
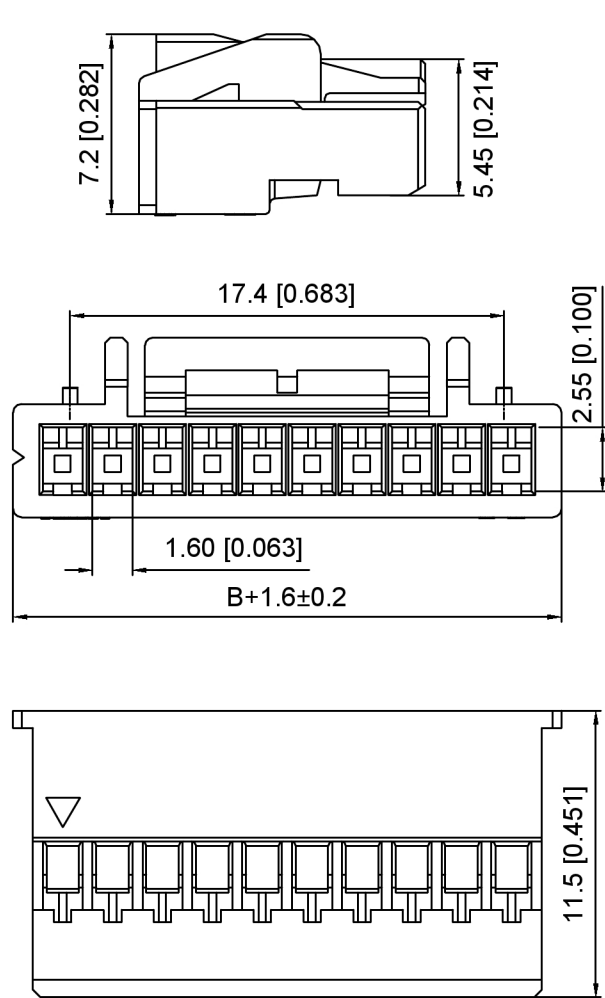
DSND	SCALE: N/A	MODEL TYPE: 2.0mm Automobile connector
DWN	VIEW:	PART NO.: K201900HM-XX-N0
CHKD	UNIT: mm/in	DWG NO.: X-K201900HM-XX-N0
APPD	SIZE: A4	



XKB INDUSTRIAL PRECISION CO.,LIMITED

WEIGHT	SHEET	REVISION
	1/1	A0

					ANGLAR	±5°
Δx					L ≤ 4	±0.2
Δx					4 < L ≤ 16	±0.3
Δx					16 < L ≤ 63	±0.4
MARK					L > 63	±0.5
REVISIONS						UNSPECIFIED TOLERANCES
www.helloxkb.com www.helloxkb.cn www.xk-dg.cn						



Specification:
 Volatage Rating:250V AC/DC
 Current Rating :3A AC/DC
 Withstaning Voltage:800V AC/Minute
 Temperature Range:-40°~+125°
 Insulation Resistance:≥1000MΩ
 Contact Resistance:≤10MΩ

K 201900 H M - XX - N0
 ① ② ③ ④ ⑤ ⑥

- 1.K:XKBTEK-Car Connector
- 2.XKB Series No
- 3.Category:H-HSG
- 4.Special No:M-Male HSG
- 5.Row No.Pin No:10Pin~15Pin
- 6.Material:N0-PA66 UL94V-0

Poles	Dimensions(mm)		
	A	B	C
10	18.00	20.40	19.10
11	20.00	22.40	21.10
12	22.00	24.40	23.10
13	24.00	26.40	25.10
14	26.00	28.40	27.10
15	28.00	30.40	29.10

K201900HM-XX-N0	PA66	K201900TF	K201900HF	X2000W
PART NO	Material	Suitable XKB Terminal	Suitable XKB Housing	Suitable XKB Wafer

DSND	SCALE: N/A	MODEL TYPE: 2.0mm Automobile connector
DWN	VIEW:	PART NO.: K201900HM-XX-N0
CHKD	UNIT: mm/in	DWG NO.: X-K201900HM-XX-N0
APPD	SIZE: A4	WEIGHT SHEET REVISION 1/1 A0



XKB INDUSTRIAL PRECISION CO.,LIMITED

MARK	DESCRIPTION	DATE	REVISED	APPROVED	UNSPECIFIED TOLERANCES
					ANGLAR ±5°
ΔX					L ≤ 4 ±0.2
ΔX					4 < L ≤ 16 ±0.3
ΔX					16 < L ≤ 63 ±0.4
					L > 63 ±0.5