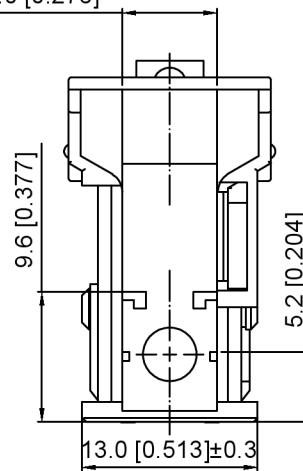


7.0 [0.276]



Current rating: 2A AC/DC
 额定电流: 2A AC/DC
 Temperature range: -40°C~+105°C
 温度范围: -40°C~+105°C

K 966658 C - 2xXX - PT X
 ① ② ③ ④ ⑤ ⑥

- 1.K: XKBTEK-Car Connector
- 2.XKB Series No
- 3.Category:C-package shell
- 4.Row No.Pin No:2xXX-2x16 Pin
- 5.Material:PT-PBT
- 6.Color:G-Green ;BL-Blue

K966658C-2xXX-PTX	PBT	Green / Blue	K966658H
PART NO	Material	Color	Suitable XKB Housing

DSND	SCALE: N/A	MODEL TYPE: 2.54mm Automobile connector
DWN	VIEW:	PART NO.: K966658C-2xXX-PTX
CHKD	UNIT: mm/in	DWG NO.: X-K966658C-2xXX-PTX
APPD	SIZE: A4	WEIGHT SHEET REVISION
		1/1 A0



XKB INDUSTRIAL PRECISION CO., LIMITED

MARK	DESCRIPTION	DATE	REVISED	APPROVED	UNSPECIFIED TOLERANCES
ΔX					ANGLAR ±5°
ΔX					L ≤ 4 ±0.2
ΔX					4 < L ≤ 16 ±0.3
					16 < L ≤ 63 ±0.4
					L > 63 ±0.5