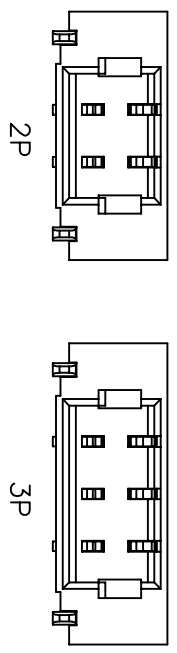
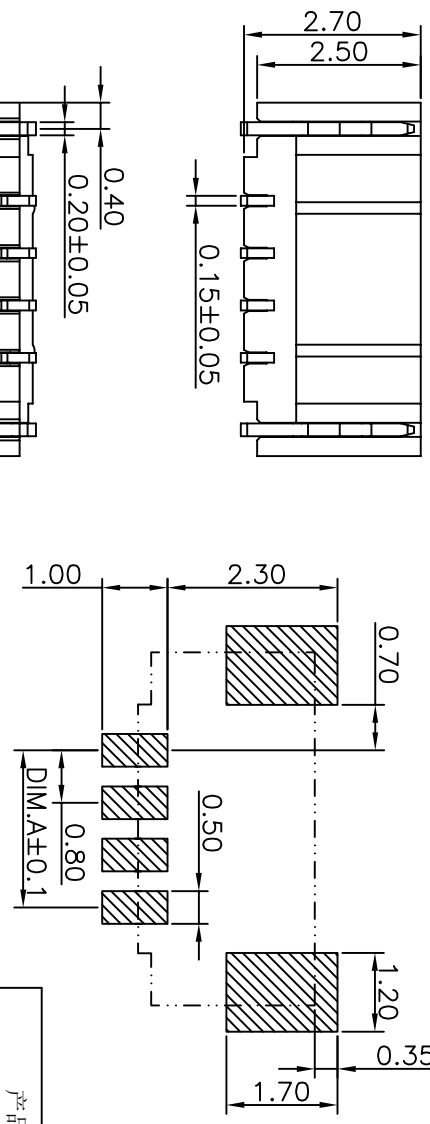
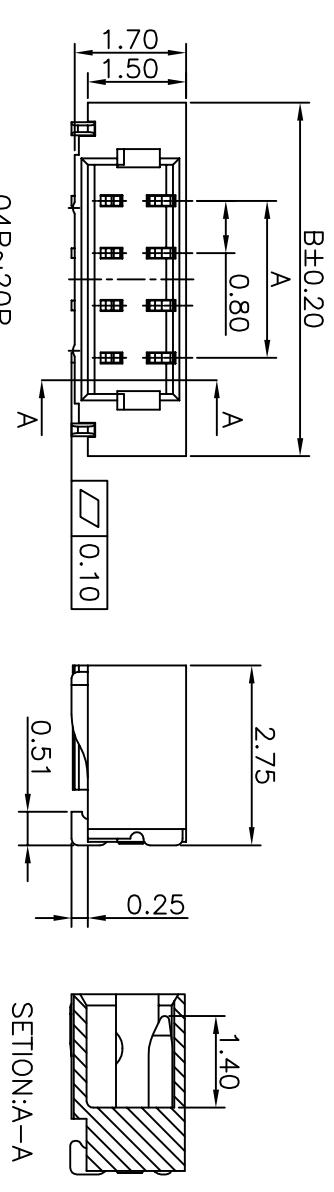


REV	LOCAS	DESCRIPTION	DRAW	DATE
A0	NEW	PERLIMINARY	LONG	2017.12.19
A1		UPDATED	LIU	2019.10.22
A2		UPDATED	LIU	2020.07.01
A3		变更料号	LIU	2022.05.27

SPECIFICATIONS

Current Rating: 0.5A AC,DC
Voltage Rating: 30V AC,DC
Temperature Range: -25°C ~ +85°C
Contact Resistance: 20mΩ Max.
Insulation Resistance: 100MΩ Min.
Withstanding Voltage: 200V AC/minute
Pin Material: Phosphor Bronze/Gold Flash
Solder Tabs: Phosphor Bronze/Gold Flash
Material:
Wafer: LCP,UL94V-0
Color: Natural(Beige)、Black



Part No.	Dimensions	
	A	B
PA0212080170-75-XXSMS	0.80	3.80
PA0312080170-75-XXSMS	1.60	4.60
PA0412080170-75-XXSMS	2.40	5.40
PA0512080170-75-XXSMS	3.20	6.20
PA0612080170-75-XXSMS	4.00	7.00
PA0812080170-75-XXSMS	5.60	8.60
PA1012080170-75-XXSMS	7.20	10.20
PA1412080170-75-XXSMS	10.40	13.40
PA2012080170-75-XXSMS	15.20	18.20

产品描述	产品料号
Pitch: 0.8mm, Wafer H: 1.70mm 单排, 卧式贴片	PAXX12080170-75-XXSMS
Pitch: 0.8mm, Wafer H: 2.70mm 单排, 立式贴片	PAXX12080270-113SMS

MEASURE POINT:
QUADRANT POINT (Q)
TANGENCY POINT (T)
INTERSECTION POINT (P)

D-CHAIN
Dongguan D-CHAIN Precision Components Co., Ltd

UNLESS OTHERWISE SPECIFIED, TOLERANCE:
X: ±0.20
XX: ±0.15
XXX: ±0.10
ANGULAR: ±5°

DRAWN	LONG	DATE	2017.12.19	TITLE:
CHECKED		DATE		Pitch: 0.8mm Wafer H: 1.70mm 单排, 卧式贴片
APPROVED		DATE		

ORDERING INFORMATION
P: Pin Header Series
A: Finished Product
No. of PINS:
Plating Number:
080: Pitch 0.80mm
170: Height 1.70mm
Running number

REV	A3	SCALE	1:1	UNIT	mm
PART No.	PAXX12080170-75-XXSMS	SIZE	A4	SHEET	1/1

Ordering Information
P: Pin Header Series
A: Finished Product
No. of PINS:
Plating Number:
080: Pitch 0.80mm
170: Height 1.70mm
Running number

S: SMT TYPE
D: DIP TYPE
M: Male (排针)
F: Female (排母)
S: Single (单排)
D: Double (双排)

XX: Colour
01: Nature (米色)
02: Black (黑色)