

Current rating:3A AC/DC  
 额定电流: 3A AC/DC  
 Temperature range:-40°C-+125°C  
 温度范围: -40°C-+125°C

K 174051 H - 2xXX - N0  
 ① ② ③ ④ ⑤

- 1.K: XKBTEK-Car Connector
- 2.XKB Series No
- 3.Category:H-Housing
- 4.Row No.Pin No:2xXX-2x06 Pin
- 5.Material:N0-PA66 UL94V-0

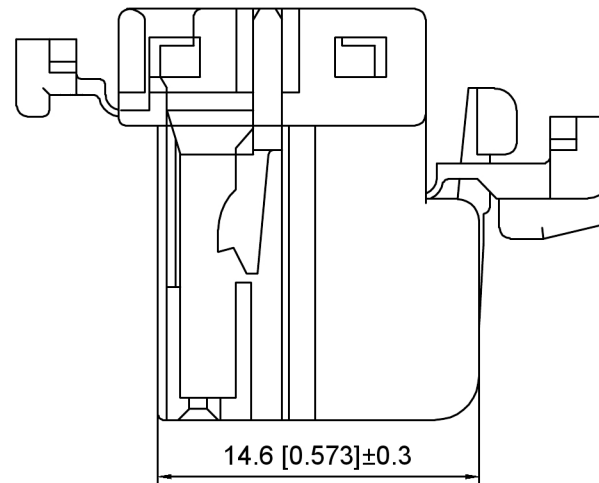
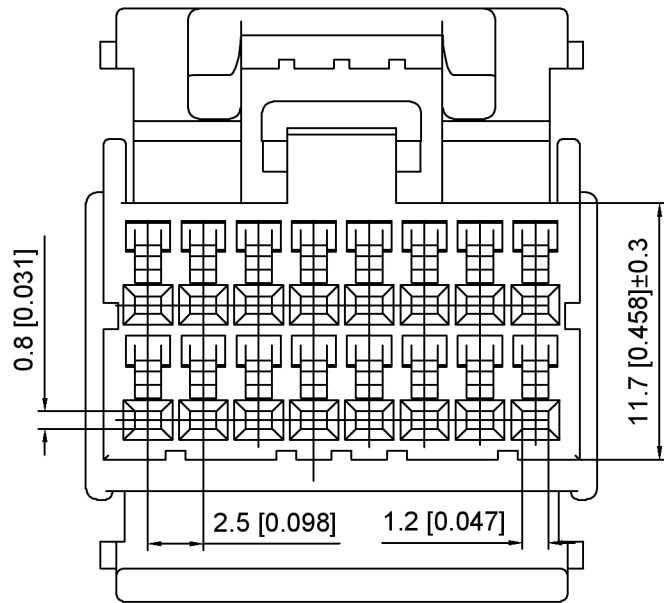
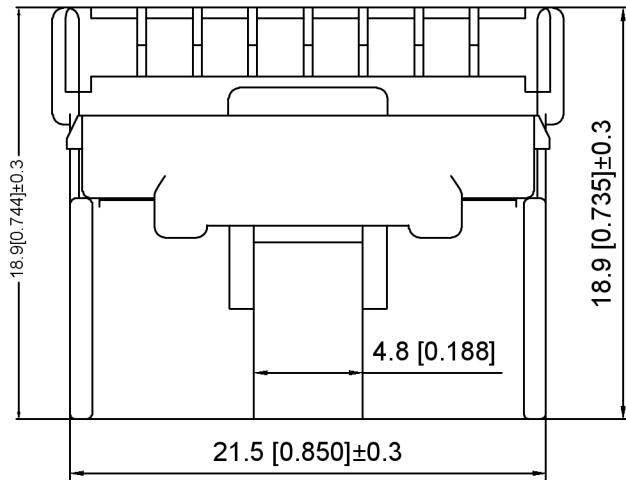
|                  |          |                    |                       |
|------------------|----------|--------------------|-----------------------|
| K174051H-2xXX-N0 | PA66     | K174051W           | K174051T              |
| PART NO          | Material | Suitable XKB Wafer | Suitable XKB Terminal |

|      |             |   |       |          |
|------|-------------|---|-------|----------|
| DSND | SCALE: N/A  | MODEL TYPE:<br>2.5mm Automobile connector |       |          |
| DWN  | VIEW:       | PART NO.:<br>K174051H-2xXX-N0             |       |          |
| CHKD | UNIT: mm/in | DWG NO.:                                  |       |          |
| APPD | SIZE: A4    | X-K174051H-2xXX-N0                        |       |          |
|      |             | WEIGHT                                    | SHEET | REVISION |
|      |             |   | 1/1   | A0       |

| MARK | DESCRIPTION | DATE | REVISED | APPROVED | UNSPECIFIED TOLERANCES |
|------|-------------|------|---------|----------|------------------------|
| Δx   |             |      |         |          | ANGULAR ±5°            |
| Δx   |             |      |         |          | L ≤ 4 ±0.2             |
| Δx   |             |      |         |          | 4 < L ≤ 16 ±0.3        |
|      |             |      |         |          | 16 < L ≤ 63 ±0.4       |
|      |             |      |         |          | L > 63 ±0.5            |



XKB INDUSTRIAL PRECISION CO., LIMITED



Current rating:3A AC/DC  
 额定电流: 3A AC/DC  
 Temperature range:-40℃-+125℃  
 温度范围: -40℃-+125℃

K 174051 H - 2xXX - N0  
 ① ② ③ ④ ⑤

- 1.K: XKBTEK-Car Connector
- 2.XKB Series No
- 3.Category:H-Housing
- 4.Row No.Pin No:2xXX-2x08 Pin
- 5.Material:N0-PA66 UL94V-0

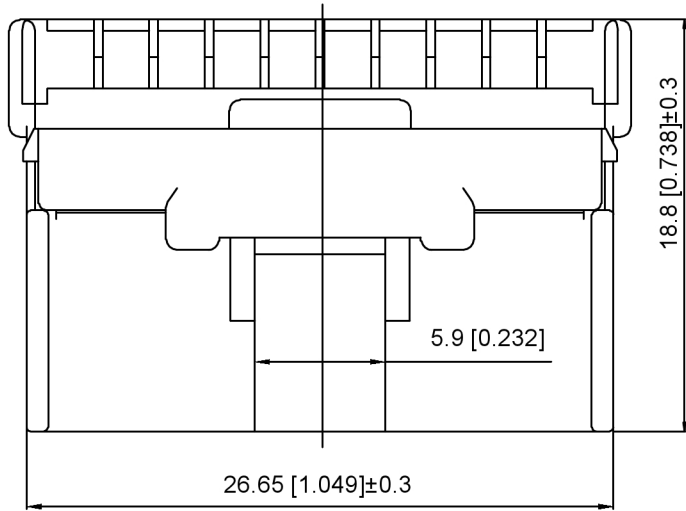
|                  |          |                    |                       |
|------------------|----------|--------------------|-----------------------|
| K174051H-2xXX-N0 | PA66     | K174051W           | K174051T              |
| PART NO          | Material | Suitable XKB Wafer | Suitable XKB Terminal |

|      |  |             |   |
|------|--|-------------|---|
| DSND |  | SCALE: N/A  | MODEL TYPE:<br>2.5mm Automobile connector |
| DWN  |  | VIEW:       | PART NO.:<br>K174051H-2xXX-N0             |
| CHKD |  | UNIT: mm/in | DWG NO.:<br>X-K174051H-2xXX-N0            |
| APPD |  | SIZE: A4    |   |
|      |  |             | WEIGHT SHEET REVISION                     |
|      |  |             | 1/1 A0                                    |

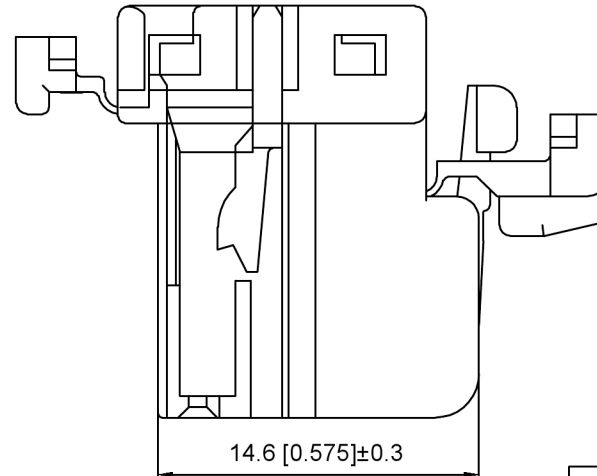
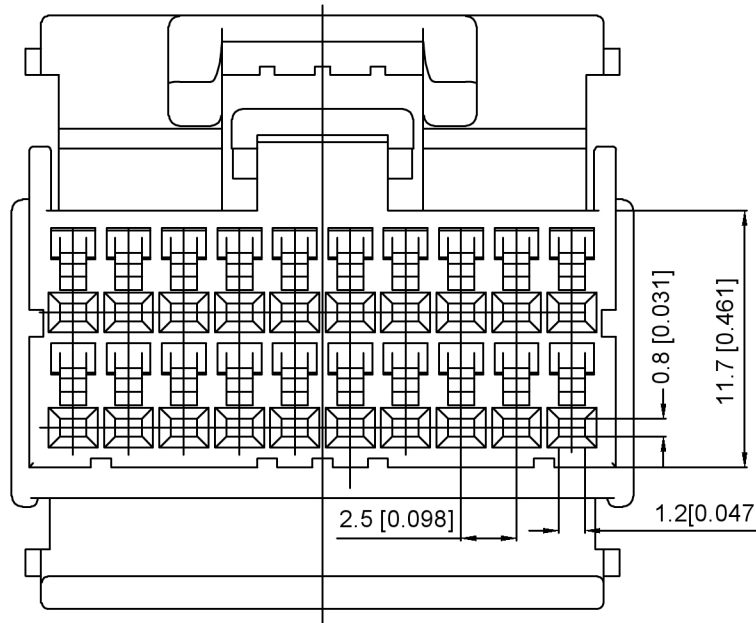
|      |   |      |         |          |                        |      |
|------|---|------|---------|----------|------------------------|------|
|      |   |      |         |          | ANGLAR                 | ±5°  |
| ΔX   |   |      |         |          | L ≤ 4                  | ±0.2 |
| ΔX   |   |      |         |          | 4 < L ≤ 16             | ±0.3 |
| ΔX   |   |      |         |          | 16 < L ≤ 63            | ±0.4 |
| MARK |   |      |         |          | L > 63                 | ±0.5 |
|      | DESCRIPTION                                   | DATE | REVISED | APPROVED | UNSPECIFIED TOLERANCES |      |
|      | REVISIONS                                     |      |         |          |                        |      |
|      | www.helloxkb.com www.helloxkb.cn www.xk-dg.cn |      |         |          |                        |      |



XKB INDUSTRIAL PRECISION CO., LIMITED



Current rating:3A AC/DC  
 额定电流: 3A AC/DC  
 Temperature range:-40℃-+125℃  
 温度范围: -40℃-+125℃



**K 174051 H - 2xXX - N0**  
 ① ② ③ ④ ⑤

- 1.K: XKBTEK-Car Connector
- 2.XKB Series No
- 3.Category:H-Housing
- 4.Row No.Pin No:2xXX-2x10 Pin
- 5.Material:N0-PA66 UL94V-0

|                  |          |                    |                       |
|------------------|----------|--------------------|-----------------------|
| K174051H-2xXX-N0 | PA66     | K174051W           | K174051T              |
| PART NO          | Material | Suitable XKB Wafer | Suitable XKB Terminal |

|      |             |   |
|------|-------------|---|
| DSND | SCALE: N/A  | MODEL TYPE:<br>2.5mm Automobile connector |
| DWN  | VIEW:       | PART NO.:<br>K174051H-2xXX-N0             |
| CHKD | UNIT: mm/in | DWG NO.:<br>X-K174051H-2xXX-N0            |
| APPD | SIZE: A4    | WEIGHT SHEET REVISION                     |
|      |             | 1/1 A0                                    |



XKB INDUSTRIAL PRECISION CO., LIMITED

|                        |      |
|------------------------|------|
| ANGLAR                 | ±5°  |
| L ≤ 4                  | ±0.2 |
| 4 < L ≤ 16             | ±0.3 |
| 16 < L ≤ 63            | ±0.4 |
| L > 63                 | ±0.5 |
| UNSPECIFIED TOLERANCES |      |

| MARK | DESCRIPTION | DATE | REVISED | APPROVED |
|------|-------------|------|---------|----------|
| ΔX   |             |      |         |          |
| ΔX   |             |      |         |          |
| ΔX   |             |      |         |          |