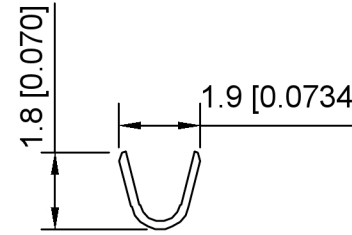
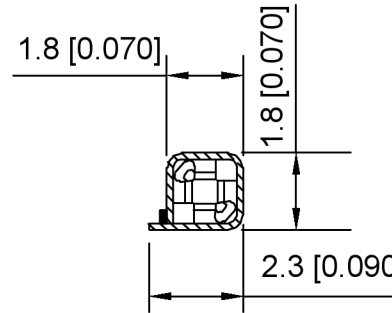


SEC: A-A



SEC: B-B

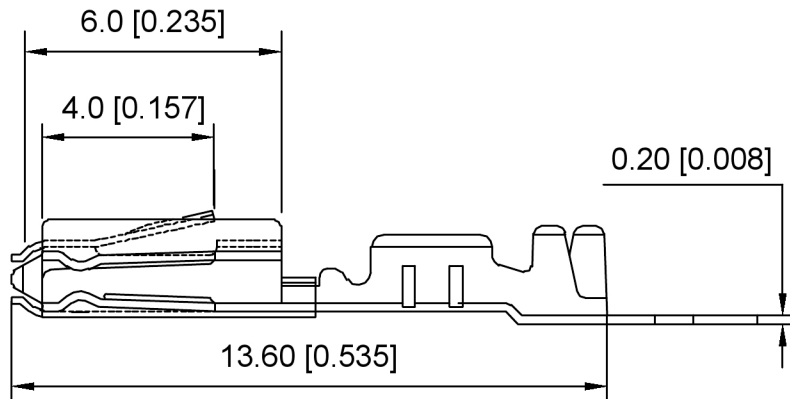


SEC: C-C

Current rating: 2A AC/DC  
 额定电流: 2A AC/DC  
 Temperature range: -40°C-+105°C  
 温度范围: -40°C-+105°C

K 966658 T - P SN - X  
 (1) (2) (3) (4) (5) (6)

- 1.K: XKBTEK-Car Connector
- 2.XKB Series No
- 3.Category:T-Terminal
- 4.Material:P-Phosphor Bronze
- 5.Plating:SN-Tin Plated
- 6.Type:H-High foot ;L-Low foot



K966658T-PSN-L	Phosphor Bronze	AWG#22-24	K966658H
K966658T-PSN-H		AWG#18-20	
PART NO	Material	Wire Range	Suitable XKB Housing

DSND	SCALE: N/A	MODEL TYPE: 2.54mm Automobile connector
DWN	VIEW:	PART NO.: K966658T-PSN-X
CHKD	UNIT: mm/in	DWG NO.: X-K966658T-PSN-X
APPD	SIZE: A4	WEIGHT SHEET REVISION



XKB INDUSTRIAL PRECISION CO., LIMITED

					ANGLAR	±5°
ΔX					L ≤ 4	±0.2
ΔX					4 < L ≤ 16	±0.3
ΔX					16 < L ≤ 63	±0.4
MARK	DESCRIPTION	DATE	REVISED	APPROVED	L > 63	±0.5

REVISIONS					UNSPECIFIED TOLERANCES	
www.helloxkb.com www.helloxkb.cn www.xk-dg.cn						